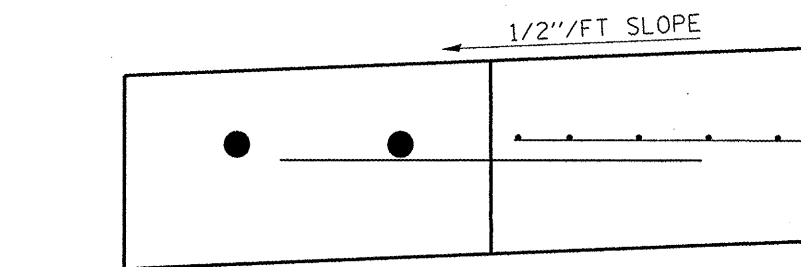
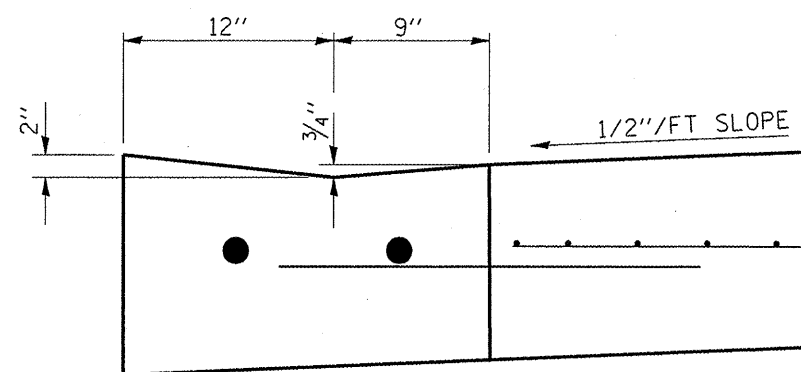


**PLAN**

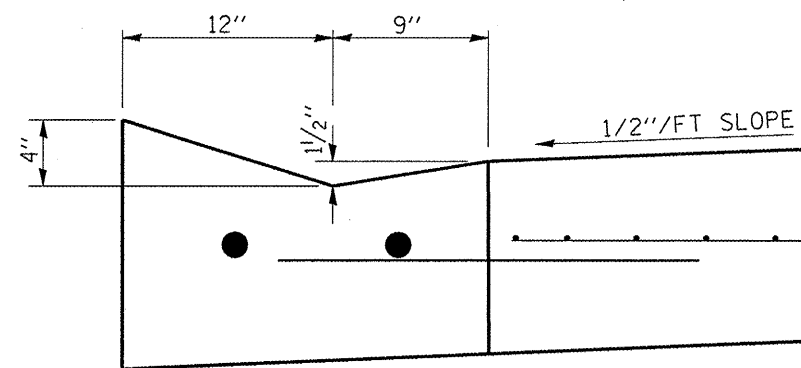
STA. 1385+92 TO STA. 1386+07



**SECTION C-C**



**SECTION B-B**



**SECTION A-A**

FILE NAME = c:\projects\cm387\details.dgn	USER NAME = carpenterd	DESIGNED - ---	REVISED - ---
		DRAWN - ---	REVISED - ---
		CHECKED - ---	REVISED - ---
		DATE - ---	REVISED - ---

STATE OF ILLINOIS  
DEPARTMENT OF TRANSPORTATION

**GUTTER TRANSITION A**

SCALE: \_\_\_\_\_ STA. 1380+00 TO STA. 1393+00

F.A.P. RTE. 317	SECTION (22)-1	COUNTY IROQUOIS	TOTAL SHEETS 13	SHEET NO. 11
CONTRACT NO. 66755				
FED. ROAD DIST. NO. - [ILLINOIS] STATE AID PROJECT				