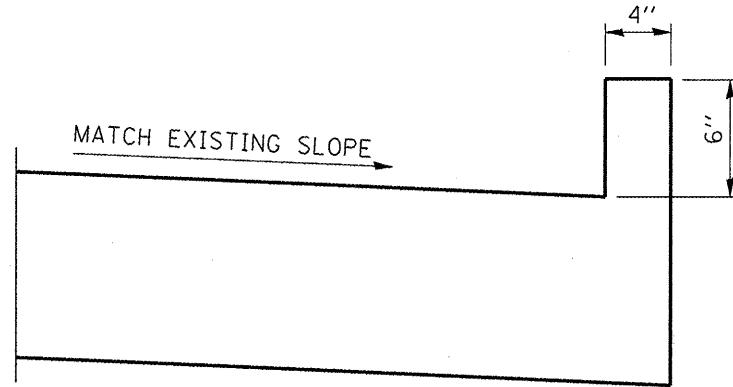
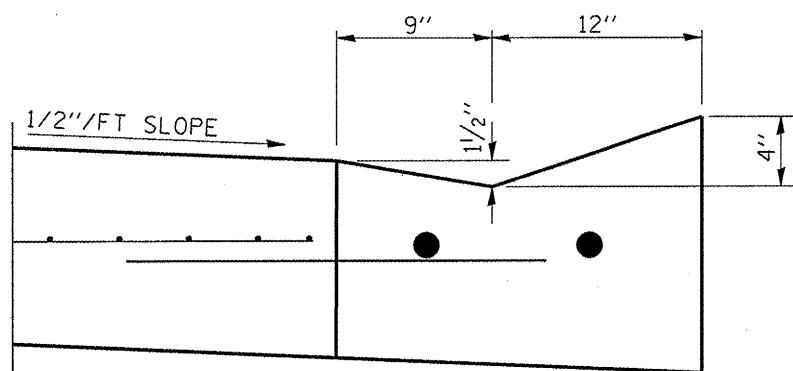


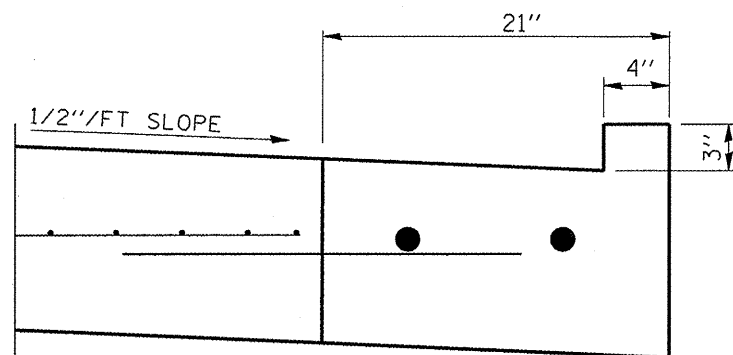
SECTION E-E



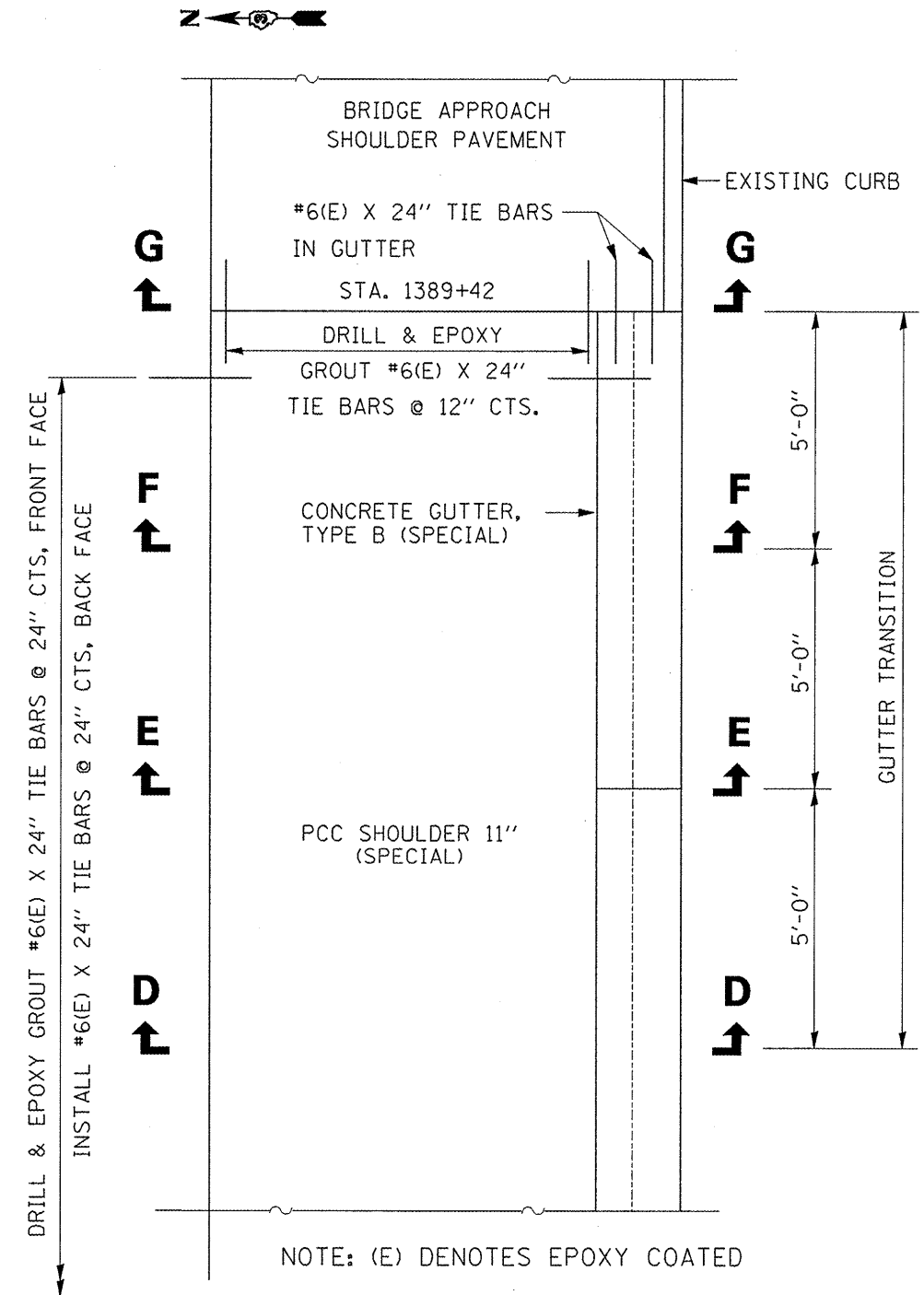
SECTION G-G



SECTION D-D



SECTION F-F



PLAN

STA. 1389+27 TO STA. 1389+42

FILE NAME =	USER NAME = carpenterdj	DESIGNED -	REVISED -
c:\projects\main09\on307\details.dgn		DRAWN -	REVISED -
PLOT SCALE = 1/83.1218 "/td> <td>CHECKED -</td> <td>REVISED -</td> <td>REVISED -</td>	CHECKED -	REVISED -	REVISED -
PLOT DATE = Mar 07, 2008 - 07:26:59 AM	DATE -	REVISED -	REVISED -

STATE OF ILLINOIS
DEPARTMENT OF TRANSPORTATION

GUTTER TRANSITION B

SCALE: _____ STA. 1380+00 TO STA. 1393+00

F.A.P. RTE.	SECTION	COUNTY	TOTAL SHEETS	SHEET NO.
317	(221)-1	IROUOIS	13	12
CONTRACT NO. 66755				
FED. ROAD DIST. NO. - ILLINOIS STATE AID PROJECT				