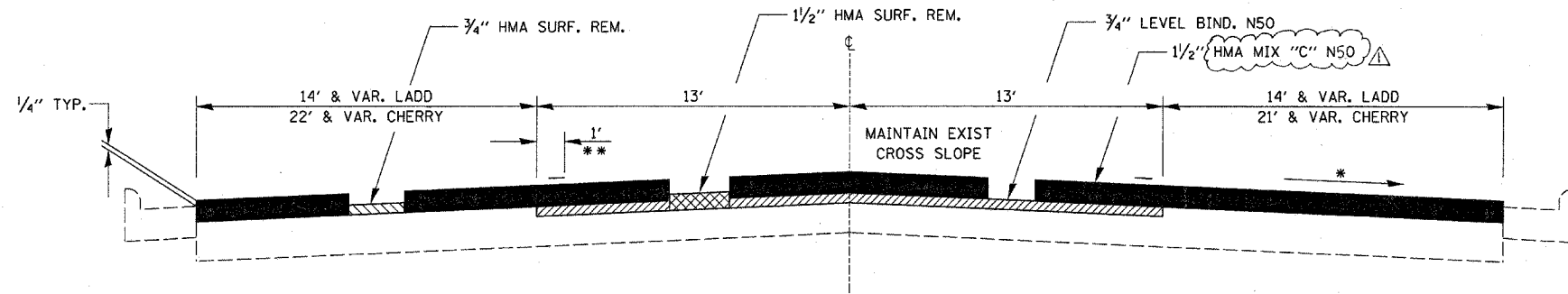


SUMMARY OF QUANTITIES					80% FED	20% STATE
CODE NO.	ITEM	UNIT	TOTAL QUANTITY	CONSTRUCTION CODE		
				ROADWAY		
				1000		
20400800	FURNISHED EXCAVATION	CU YD	20		20	
40600100	BITUMINOUS MATERIALS (PRIME COAT)	GALLON	9484		9484	
40600300	AGGREGATE (PRIME COAT)	TON	132		132	
40600400	MIXTURE FOR CRACKS, JOINTS, AND FLANGEWAYS	TON	19		19	
40600525	LEVELING BINDER (HAND METHOD), N50	TON	31.2		31.2	
40600625	LEVELING BINDER (MACHINE METHOD), N50	TON	2624		2624	
40600895	CONSTRUCTING TEST STRIP	EACH	1		1	
40600990	TEMPORARY RAMP	SQ YD	450		450	
40603310	HOT-MIX ASPHALT SURFACE COURSE, MIX "C", N50	TON	6583		6583	
40800050	INCIDENTAL HOT-MIX ASPHALT SURFACING	TON	510		510	
44000152	HOT-MIX ASPHALT SURFACE REMOVAL, 3/4"	SQ YD	15893		15893	
44000155	HOT-MIX ASPHALT SURFACE REMOVAL, 1 1/2"	SQ YD	61638		61638	
44000158	HOT-MIX ASPHALT SURFACE REMOVAL, 2 1/4"	SQ YD	838		838	
44000198	HOT-MIX ASPHALT SURFACE REMOVAL, VARIABLE DEPTH	SQ YD	4044		4044	
44200998	CLASS B PATCHES, TYPE III, 12 INCH	SQ YD	35		35	
44213100	PAVEMENT FABRIC	SQ YD	35		35	
44213200	SAW CUTS	FOOT	114		114	
48101200	AGGREGATE SHOULDERS, TYPE B	TON	960		960	
56109210	WATER VALVES TO BE ADJUSTED	EACH	2		2	
60255500	MANHOLES TO BE ADJUSTED	EACH	29		29	
* 63100167	TRAFFIC BARRIER TERMINAL, TYPE I (SPECIAL) TANGENT	EACH	4		4	
63200310	GUARDRAIL REMOVAL	FOOT	176		176	
66700095	PERMANENT SURVEY MARKERS	EACH	2		2	
67000400	ENGINEER'S FIELD OFFICE, TYPE A	CAL MO	3		3	
67100100	MOBILIZATION	L SUM	1		1	
70100460	TRAFFIC CONTROL AND PROTECTION, STANDARD 701306	L SUM	1		1	
70102620	TRAFFIC CONTROL AND PROTECTION, STANDARD 701501	L SUM	1		1	
70300100	SHORT-TERM PAVEMENT MARKING	FOOT	5424		5424	
70300210	TEMPORARY PAVEMENT MARKING - LETTERS AND SYMBOLS	SQ FT	122.4		122.4	
70300220	TEMPORARY PAVEMENT MARKING - LINE 4"	FOOT	47573		47573	
70300240	TEMPORARY PAVEMENT MARKING - LINE 6"	FOOT	4338		4336	
70300645	TEMPORARY PAINT PAVEMENT MARKING LINE 12"	FOOT	246		246	
70300280	TEMPORARY PAVEMENT MARKING - LINE 24"	FOOT	78		78	
70301000	WORK ZONE PAVEMENT MARKING REMOVAL	SQ FT	602		602	
* 78000100	THERMOPLASTIC PAVEMENT MARKING - LETTERS AND SYMBOLS	SQ FT	122.4		122.4	
* 78000200	THERMOPLASTIC PAVEMENT MARKING - LINE 4"	FOOT	47573		47573	
* 78000400	THERMOPLASTIC PAVEMENT MARKING - LINE 6"	FOOT	4336		4336	
* 78000600	THERMOPLASTIC PAVEMENT MARKING - LINE 12"	FOOT	246		246	
* 78000650	THERMOPLASTIC PAVEMENT MARKING - LINE 24"	FOOT	78		78	
* 78100100	RAISED REFLECTIVE PAVEMENT MARKER	EACH	270		270	
* 78201000	TERMINAL MARKER - DIRECT APPLIED	EACH	4		4	
Z0017100	DOWEL BARS	EACH	40		40	
Z0048665	RAILROAD PROTECTIVE LIABILITY INSURANCE	L SUM	1		1	

* SPECIALTY ITEM

△ REVISED 5-30-08

FILE NAME =	USER NAME = brebaypc	DESIGNED -	REVISED -	STATE OF ILLINOIS DEPARTMENT OF TRANSPORTATION	SUMMARY OF QUANTITIES	F.A.P. RTE.	SECTION	COUNTY	TOTAL SHEETS	SHEET NO.	
on\projects\ed83188\soehd\ules.dgn		DRAWN -	REVISED -			698	(102,103)RS-4	BUREAU	12	3	
PLOT SCALE = 50,0000' / IN.		CHECKED -	REVISED -			CONTRACT NO. 66762					
PLOT DATE = Mar 17, 2008 - 07:59:32 AM		DATE -	REVISED -			SCALE:	SHEET NO.	OF	SHEETS	STA.	TO STA.

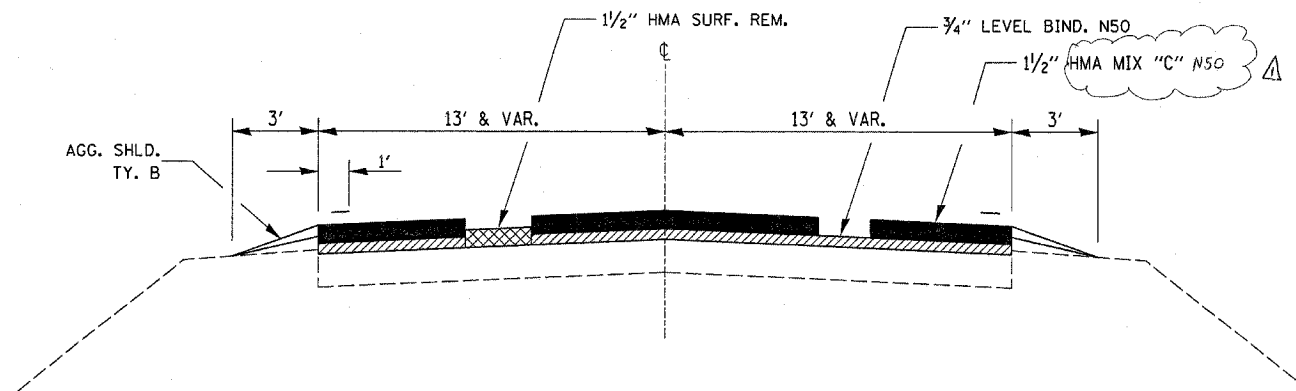


TYPICAL SECTION

STA. 404+77 TO STA. 423+50
 STA. 580+47 TO STA. 603+25

* PARKING LANE THICKNESS VARIES FROM 1 1/2" AT EDGE OF MAINLINE TO 1" AT GUTTER PAN.

** PLACE 4" WHITE EDGELINE BETWEEN SIDE STREETS THROUGH CHERRY, REPLACE EXISTING PARKING STALLS IN LADD.



TYPICAL SECTION

STA. 423+50 TO STA. 580+50
 STA. 603+25 TO STA. 621+03

MIXTURES TABLE

	HMA SURFACE	HMA LEVEL BINDER
PG GRADE	PG 64-22	PG 58-22
MAX % RAP ALLOWABLE**	•15	•25
DESIGN AIR VOIDS	4.0% @ N50	4.0% @ N50
MIXTURE COMPOSITION	IL 12.5 OR IL 9.5	IL 9.5
FRICTION AGGREGATE	MIXTURE C	
DENSITY TEST METHOD	NUCLEAR/ CORES	SATISFACTION OF ENGINEER

* SEE RAP SPECIAL PROVISIONS

** IF RAP OPTION IS SELECTED, THE ASPHALT CEMENT GRADE MAY NEED TO BE ADJUSTED. THIS WILL BE DETERMINED BY THE ENGINEER.

REVISOR 5-30-08

FILE NAME = c:\projects\ed03108\details.dgn	USER NAME = brcbojpc	DESIGNED -	REVISED -	STATE OF ILLINOIS DEPARTMENT OF TRANSPORTATION	TYPICAL SECTIONS			F.A.P. RTE. 698	SECTION (102,103)RS-4	COUNTY BUREAU	TOTAL SHEETS 12	SHEET NO. 4
	PLOT SCALE = 50.0000' / IN.	CHECKED -	REVISED -					CONTRACT NO. 66762				
	PLOT DATE = Mar 15, 2008 - 02:33:55 PM	DATE -	REVISED -					SCALE:	SHEET NO. OF SHEETS	STA. TO STA.	FED. ROAD DIST. NO.	ILLINOIS FED. AID PROJECT