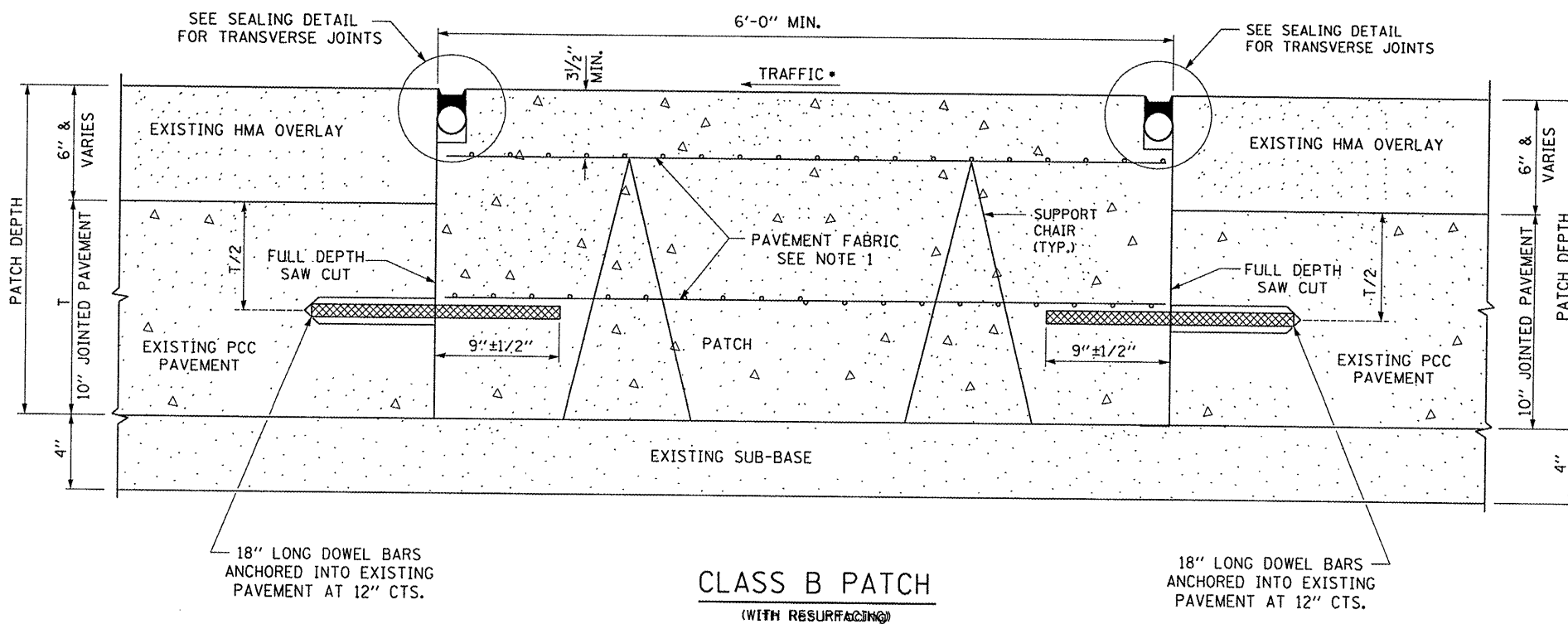
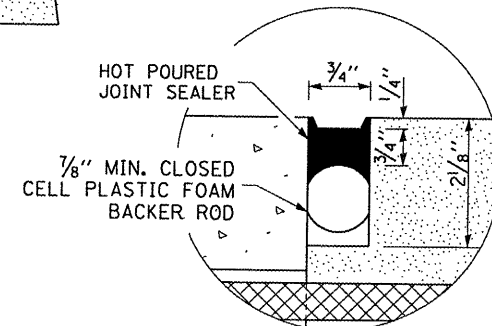
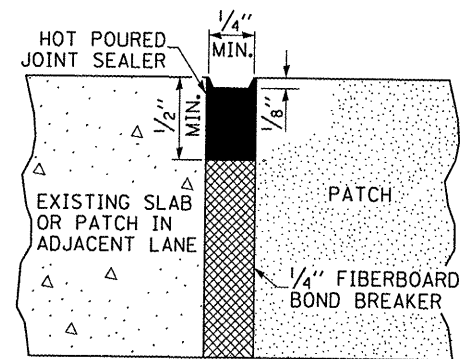


DOWEL BAR TABLE		
PAVEMENT THICKNESS	DOWEL BAR DIAMETER	HOLE DIAMETER
8" OR GREATER	1 1/2"	1 5/8"
7" THRU 7.99"	1 1/4"	1 3/8"
LESS THAN 7"	1"	1 1/8"



SEALING DETAIL
CENTERLINE JOINT

SEALING DETAIL
TRANSVERSE JOINT

GENERAL NOTES

TRANSVERSE JOINTS FOR CLASS B PATCHES SHALL ALIGN WITH JOINTS OR CRACKS IN THE ADJACENT LANE WHENEVER POSSIBLE.
SEE STANDARD 420701 FOR DETAILS OF PAVEMENT FABRIC.

FILE NAME = c:\projects\main\91\cm308\details.dgn	USER NAME = carpentardj	DESIGNED RLW	REVISED -
PLOT SCALE = 103.4029' / IN.	CHECKED -	DRAWN RLW	REVISED -
PLOT DATE = Mar 08, 2008 - 08:54:01 AM	DATE -		REVISED -

STATE OF ILLINOIS
DEPARTMENT OF TRANSPORTATION

TYPE III & IV PATCH DETAILS

SCALE: SHEET NO. 2 OF 2 SHEETS STA. TO STA.

F.A.I. RTE. 80	SECTION D3 PAVEMENT PATCHING	COUNTY BUREAU	TOTAL SHEETS 13	SHEET NO. 12
FED. ROAD DIST. NO. ILLINOIS			CONTRACT NO. 66778	