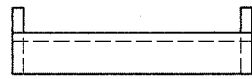
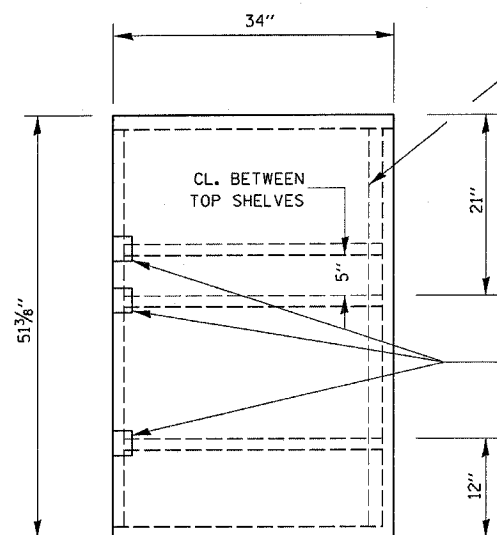


SHELF SIDE VIEW

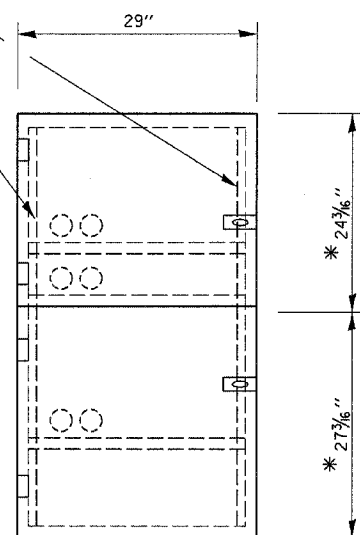


SHELF FRONT VIEW

1/2" X 1/2" FLAT STOCK WELD TO FORM DOOR FRAME AND ALSO AROUND PERIMETER OF EACH DOOR.



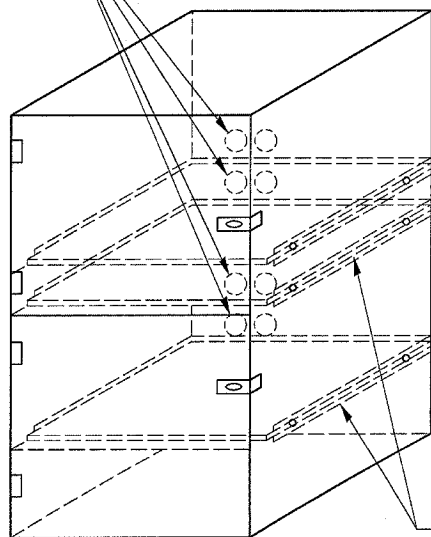
SIDE VIEW



FRONT VIEW

* ALLOWS FOR 1/8" CLEARANCE AT TOP AND BOTTOM OF CABINET AND BETWEEN DOORS.

2" ACCESS HOLES IN REAR OF CABINET

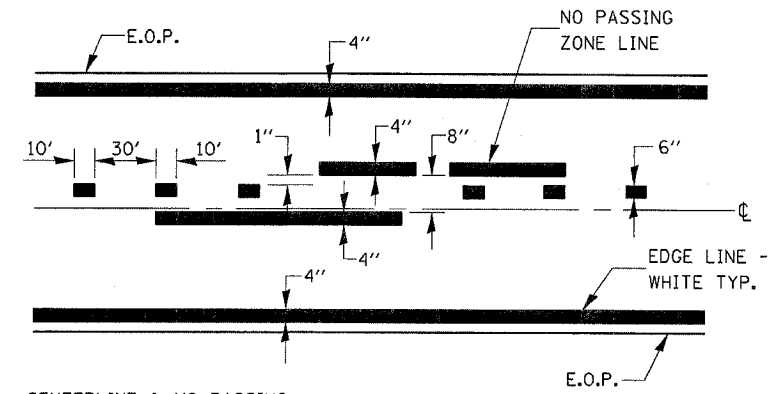


FLAT STOCK DIMENSIONS VARY DEPENDING ON TYPE OF ROLLER ASSEMBLY

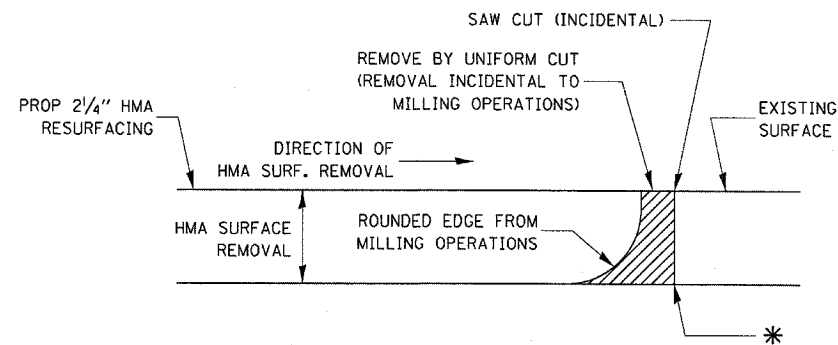
NOTES:

1. USE 16 GAUGE STEEL FOR CABINET.
2. THE TOP SHELF SHALL SLIDE IN OR OUT WITH THE TOP DOOR OPEN.
3. ALL HINGES AND HASPS WILL BE WELDED TO THE CABINET.
4. ALL EDGES SHALL BE GROUND SMOOTH.
5. TWO (2" DIA.) ACCESS HOLES WILL BE REQUIRED FOR EACH SHELF.
6. CABINET SHALL BE PAINTED WITH TWO COATS OF FLAT PAINT.
7. 2 EACH MATCHING KEY PADLOCKS, WITH 3 KEYS PROVIDED, MASTER MODEL 3 T OR EQUIVALENT.
8. 4 EACH PLAIN STEEL, NON-REMOVABLE PIN, NO HOLE 4" X 4" SQUARE CORNER HINGES TO BE WELDED ON.
9. 2 EACH EXTRA HEAVY, PLAIN STEEL, FIXED STAPLE, NO HOLE, 7/4" HASPS TO BE WELDED ON.

LOCKABLE COMPUTER CABINET



PAVEMENT MARKING



NOTE:

WHEN MILLING OPERATIONS PRODUCE A ROUNDED EDGE, THEN A SAW CUT SHALL BE USED TO MANUFACTURE A PERPENDICULAR EDGE AS SHOWN IN THE DETAIL. THE ENGINEER SHALL BE THE SOLE JUDGE CONCERNING THE USE OF THIS DETAIL

HMA DETAIL AT BUTT JOINTS

- * STA. 8+22.2
- * STA. 143+66.3
- * STA. 144+91.7
- * STA. 172+45.0

FILE NAME =	USER NAME = duncanbd	DESIGNED -	REVISED -	STATE OF ILLINOIS DEPARTMENT OF TRANSPORTATION	DETAILS	F.A.P. RTE.	SECTION	COUNTY	TOTAL SHEETS	SHEET NO.
cr\projects\4366802\4366802-shr-cover.dgn	PLOT SCALE = 50.0000' / IN.	DRAWN -	REVISED -			557	128RS-4	DEKALB	11	10
PLOT DATE = Mar 24, 2008 - 02:15:06 PM	DATE -	CHECKED -	REVISED -			CONTRACT NO. 66802				
		DATE -	REVISED -			FED. ROAD DIST. NO. [ILLINOIS] FED. AID PROJECT				