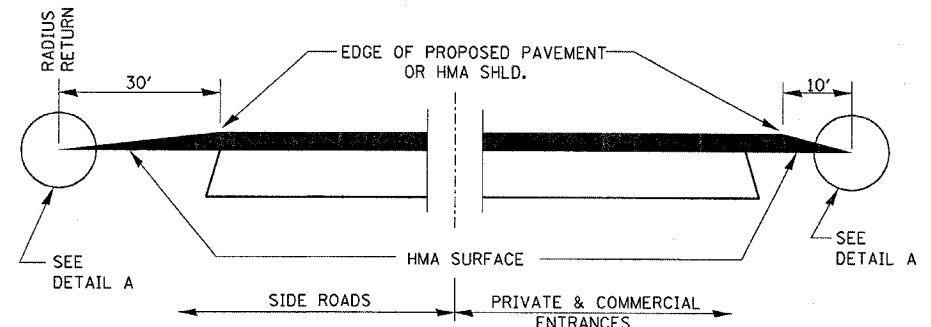
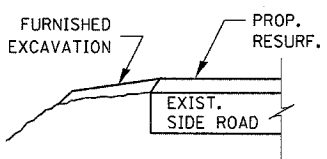


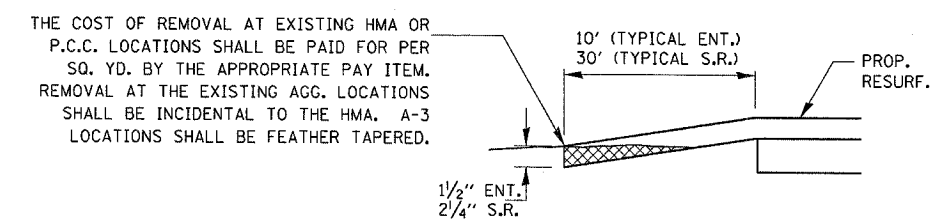
SECTION A-A
RURAL MAILBOX TURNOUT DETAILS



SECTION A-A
DETAILS AT ENTRANCES & SIDE ROADS

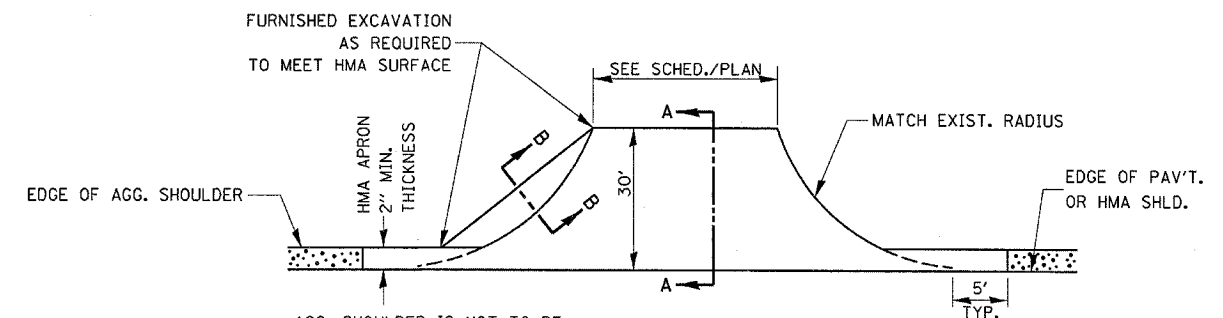


SECTION B-B

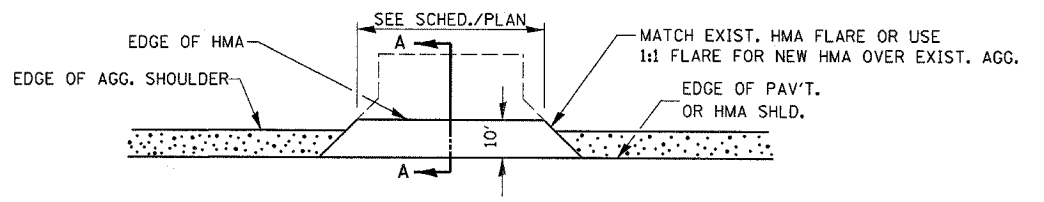


DETAIL A

THE COST OF REMOVAL AT EXISTING HMA OR P.C.C. LOCATIONS SHALL BE PAID FOR PER SQ. YD. BY THE APPROPRIATE PAY ITEM. REMOVAL AT THE EXISTING AGG. LOCATIONS SHALL BE INCIDENTAL TO THE HMA. A-3 LOCATIONS SHALL BE FEATHER TAPERED.



PLAN AT SIDE ROADS



PLAN AT PRIVATE & COMMERCIAL ENTRANCES

(DO NOT RESURFACE FIELD ENTRANCES)

FILE NAME =	USER NAME = dunconbd	DESIGNED -	REVISED -	STATE OF ILLINOIS DEPARTMENT OF TRANSPORTATION	DETAILS	F.A.P. RTE.	SECTION	COUNTY	TOTAL SHEETS	SHEET NO.	
ca\projects\366802\366802-sht-cover.dgn	PLDT SCALE = 50.0000' / IN.	DRAWN -	REVISED -			557	128RS-4	DEKALB	11	11	
PLDT DATE = Mar 24, 2008 - 02:15:00 PM	DATE -	CHECKED -	REVISED -			CONTRACT NO. 66802					
		DATE -	REVISED -			FED. ROAD DIST. NO. ILLINOIS FED. AID PROJECT					
SCALE:						SHEET NO. OF SHEETS STA. TO STA.					