

CROSS SECTION

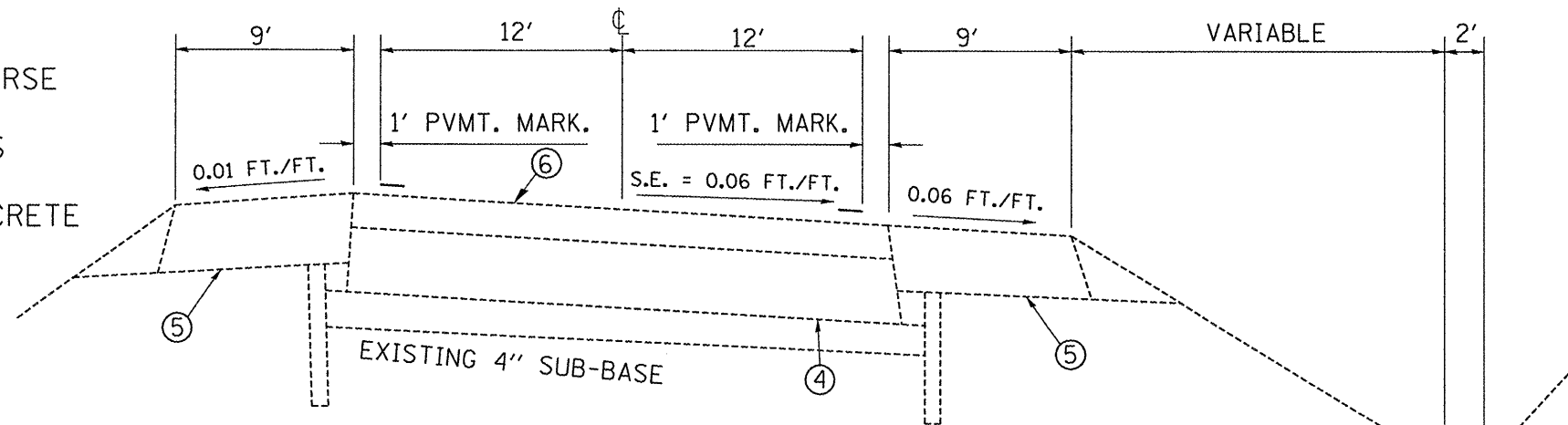
LT. STA. 624+66.08 TO STA. 625+04.08
 RT. STA. 624+86.08 TO STA. 625+16.08
 Lt. & RT. STA. 626+51.46 TO STA. 627+01.46

LEGEND

- ① BRIDGE APPROACH PAVEMENT
- ② 8" BITUMINOUS SHOULDERS
- ③ 1 1/2" BITUNINOUS CONCRETE SURFACE COURSE

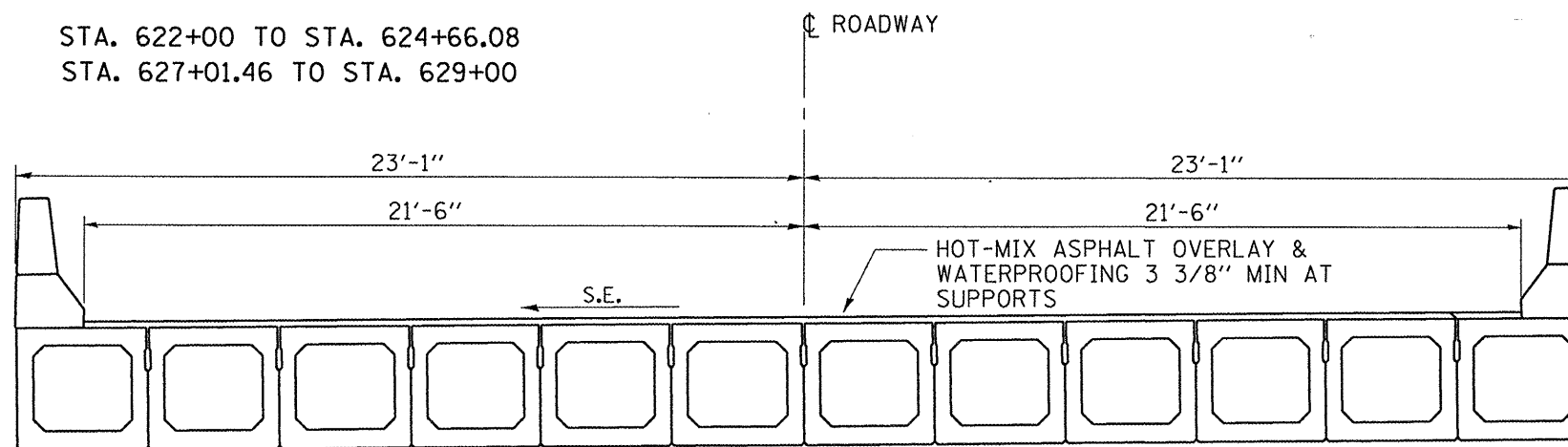
LEGEND

- ④ BITUMINOUS BASE COURSE
- ⑤ AGGREGATE SHOULDERS
- ⑥ 1 1/2" BITUNINOUS CONCRETE SURFACE COURSE



CROSS SECTION

STA. 622+00 TO STA. 624+66.08
 STA. 627+01.46 TO STA. 629+00



CROSS SECTION

SN 053-0161
 STA. 625+15.58 TO STA. 626+51.96

FILE NAME =	USER NAME = woodshankr1	DESIGNED -	REVISED -
c:\projects\deck beam repl 06\sn 053-0161.dgn		DRAWN -	REVISED -
PLOT SCALE = 1/8" = 1' / IN.		CHECKED -	REVISED -
PLOT DATE = Mar 18, 2008 - 08:39:03 AM		DATE -	REVISED -

STATE OF ILLINOIS
 DEPARTMENT OF TRANSPORTATION

TYPICAL SECTIONS

SCALE: SHEET NO. OF SHEETS STA. 620+90 TO STA. 641+45

F.A.P. RTE.	SECTION	COUNTY	TOTAL SHEETS	SHEET NO.
68	(102-B-1)	LIVINGSTON	16	5
CONTRACT NO. 66B10				
FED. ROAD DIST. NO. ILLINOIS FED. AID PROJECT				