

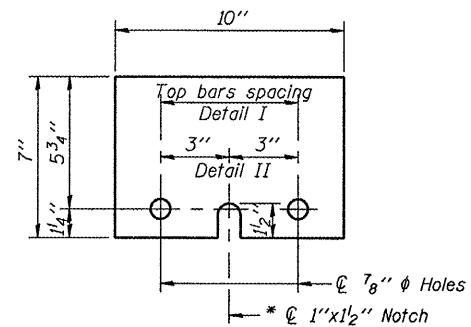
NEW SLAB

EXISTING SLAB

**SECTIONS THRU SLAB**

**NOTES**

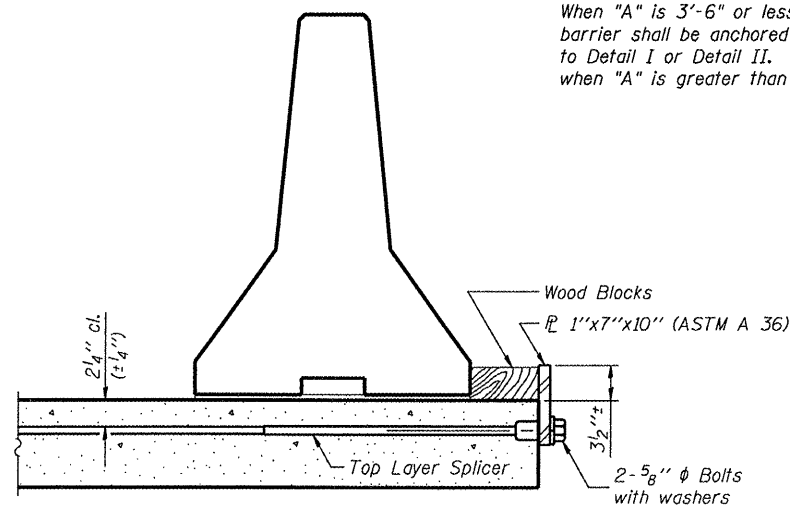
- Detail I - With Bar Splicer or Couplers: Connect one (1) 1"x7"x10" steel PL to the top layer of couplers with 2-5/8" φ bolts screwed to coupler at approximate C of each barrier panel.
  - Detail II - With Extended Reinforcement Bars: Connect one (1) 1"x7"x10" steel PL to the concrete slab with 2-5/8" φ Expansion Anchors or cast in place inserts spaced between the top layer of reinforcement at approximate C of each barrier panel.
- Cost of anchorage is included with Temporary Concrete Barrier.



**PL 1"x7"x10"**

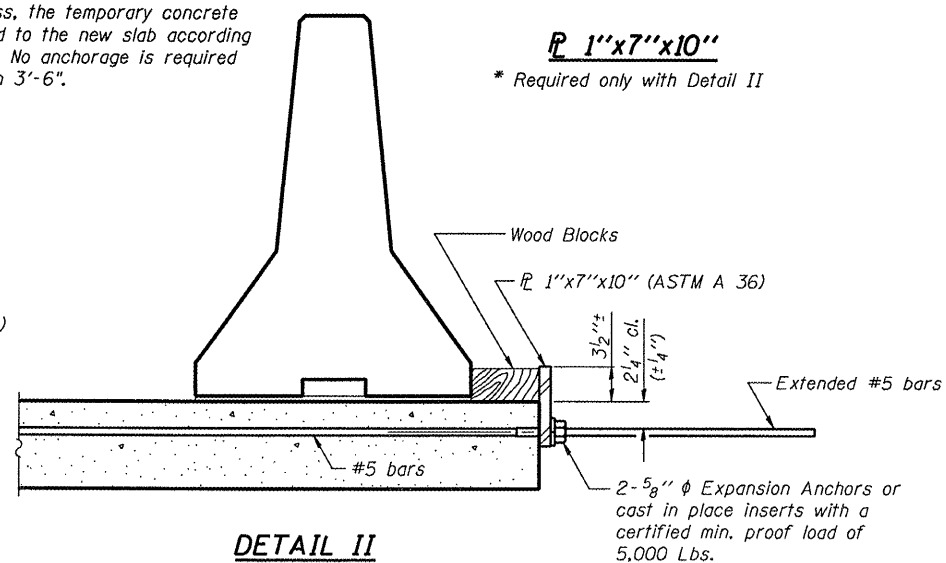
\* Required only with Detail II

When "A" is 3'-6" or less, the temporary concrete barrier shall be anchored to the new slab according to Detail I or Detail II. No anchorage is required when "A" is greater than 3'-6".



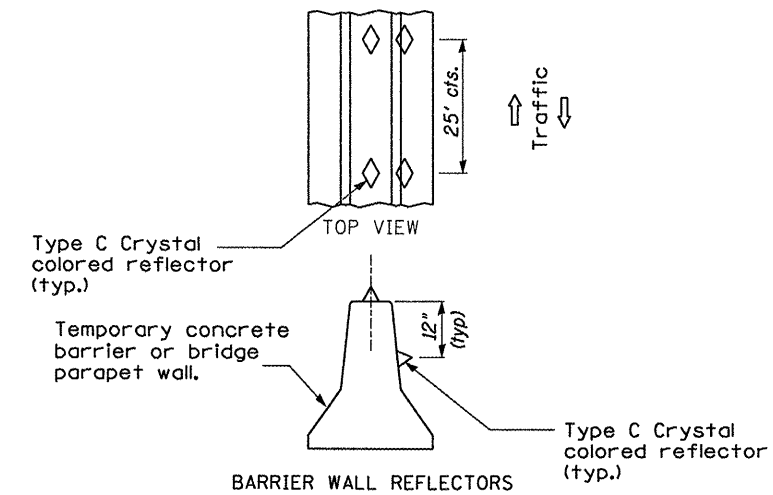
**DETAIL I**

The 1"x7"x10" Plate shall not be removed until Stage II Construction forms and reinforcement bars are in place.

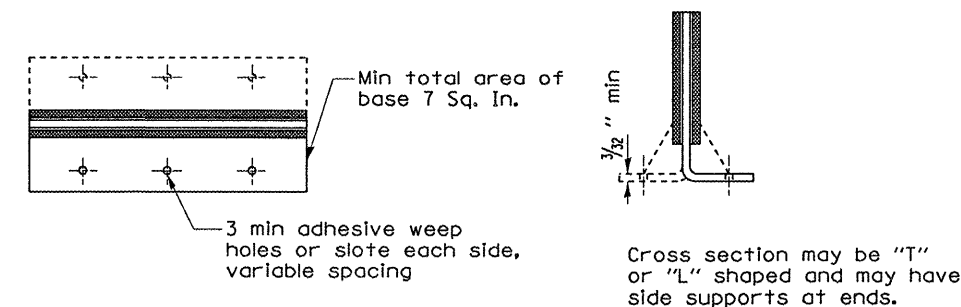
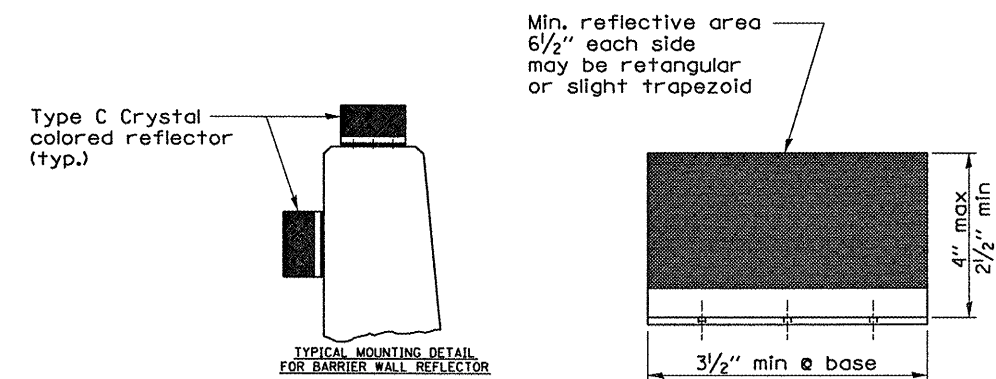


**DETAIL II**

The 1"x7"x10" Plate shall not be removed until Stage II Construction forms and all reinforcement bars are in place and the concrete is ready to be placed.



**DETAIL A**



**TYPE C REFLECTOR**

FILE NAME =	USER NAME = woodshankr1	DESIGNED -	REVISED -
c:\projects\deck beam repl 08\en 053-01.dgn		DRAWN -	REVISED -
		CHECKED -	REVISED -
		DATE -	REVISED -

STATE OF ILLINOIS  
DEPARTMENT OF TRANSPORTATION

**TEMPORARY CONCRETE BARRIER**

SCALE: SHEET NO. OF SHEETS STA. 623+88.02 TO STA. 627+68.20

F.A.P. RTE.	SECTION	COUNTY	TOTAL SHEETS	SHEET NO.
68	(102-B-11)	LIVINGSTON	16	9
FED. ROAD DIST. NO.			ILLINOIS FED. AID PROJECT	
			CONTRACT NO. 66810	