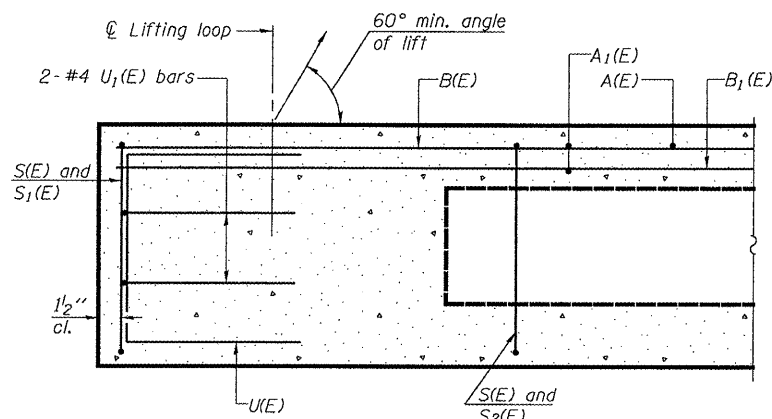
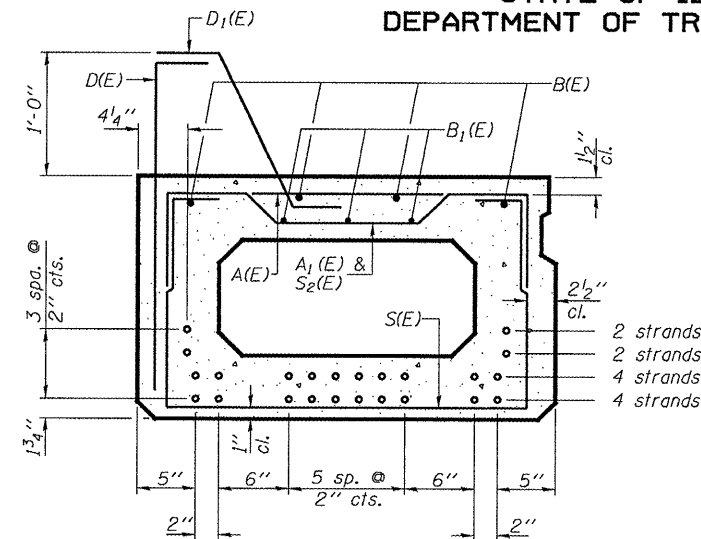


STATE OF ILLINOIS
DEPARTMENT OF TRANSPORTATION

ROUTE NO.	SECTION	COUNTY	TOTAL SHEETS	SHEET NO.	SHEET NO. 2 6 SHEETS
FA 68	*	LIVINGSTON	16	12	
FED. ROAD DIST. NO. 7		ILLINOIS	FED. AID PROJECT		Contract Number: 66810



SECTION C-C

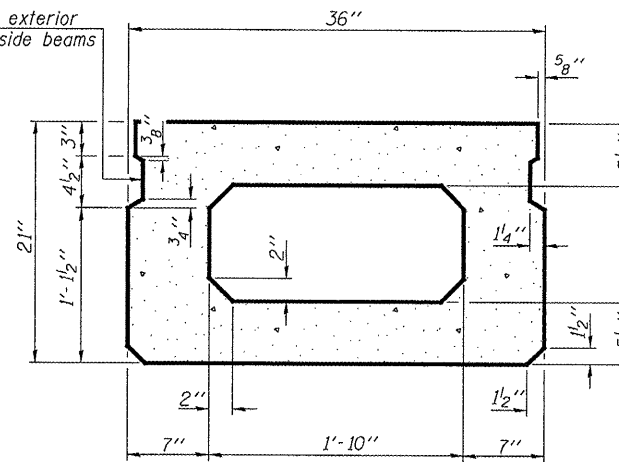


SECTION A-A

(Showing reinforcement and permissible strand locations)

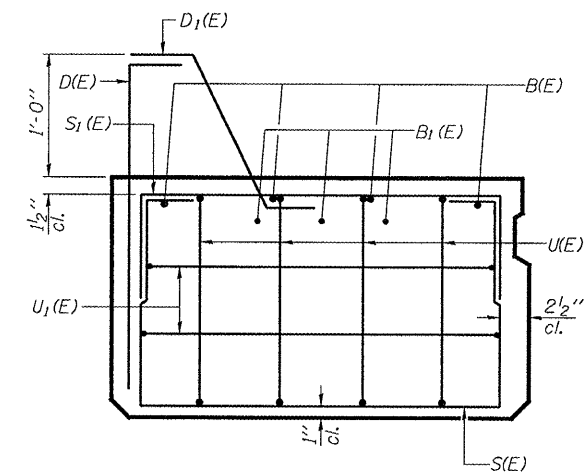
Note: Place the number of strands specified in each row symmetrically about the centerline of beam in the permissible strand locations shown.

Omit key on exterior
Face of outside beams

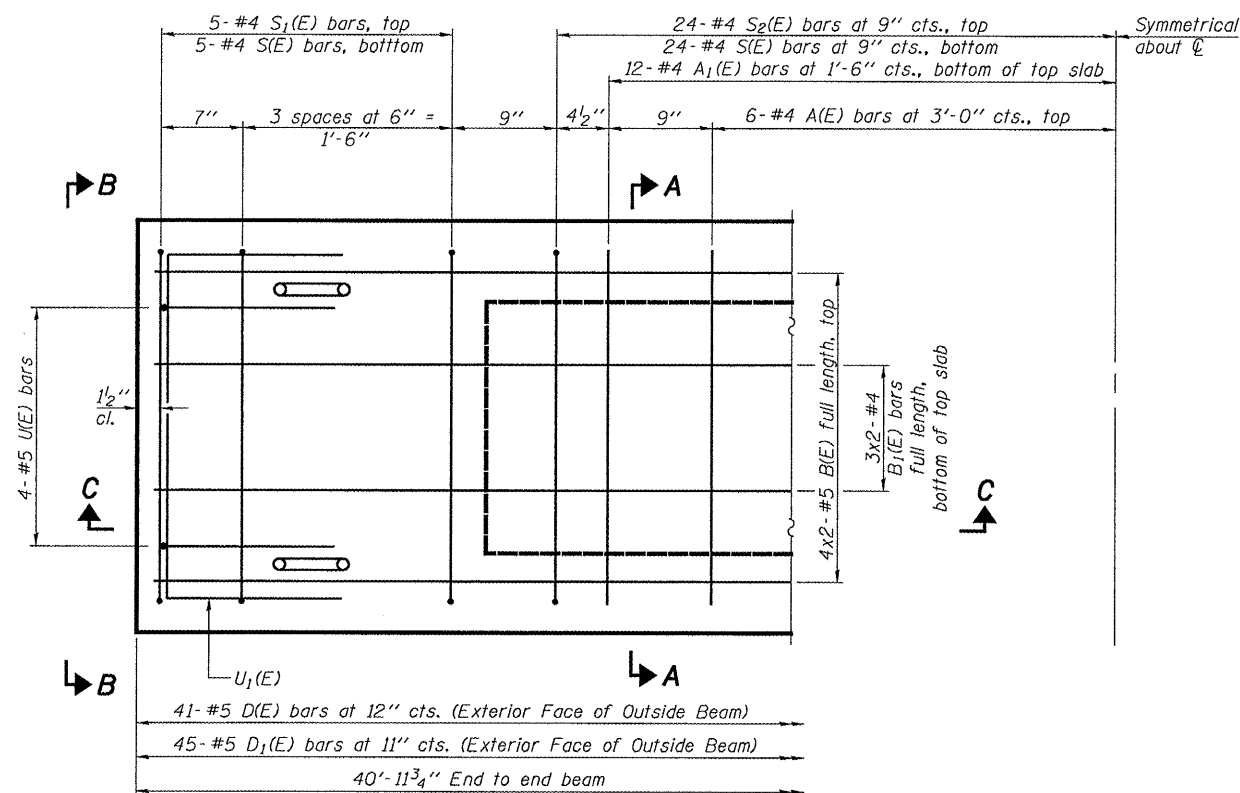


SECTION A-A

(Showing dimensions)



VIEW B-B

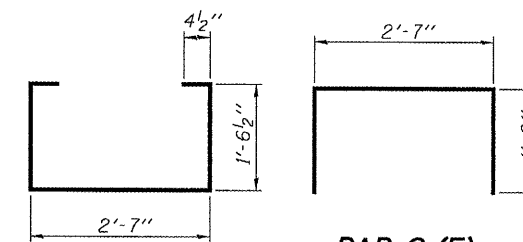


PLAN VIEW

Note: Spacing of S(E) and S2(E) bars may be adjusted up to 4" in the immediate area of the transverse tie diaphragms to miss the block outs for the transverse ties.

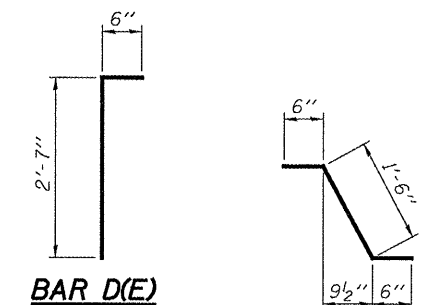
DESIGNED	AJB
CHECKED	VHV
DRAWN	Steffen
CHECKED	AJB VHV

MAY 2, 2008
EXAMINED *Carl Kuey*
ENGINEER OF STRUCTURAL SERVICES
PASSED *Ralph E. Anderson*
ENGINEER OF BRIDGES AND STRUCTURES



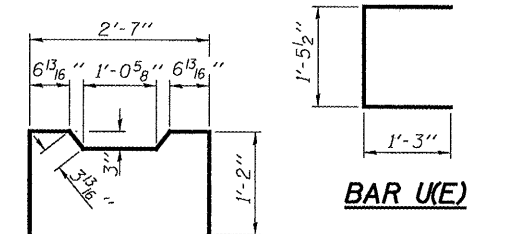
BAR S(E)

BAR S1(E)



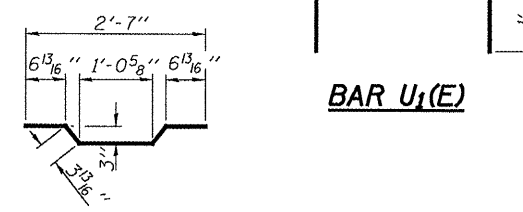
BAR D(E)

BAR D1(E)



BAR S2(E)

BAR U(E)



BAR A1(E)

BAR U1(E)

BAR LIST
ONE 36" BEAM ONLY
(For information only)

Bar	No.	Size	Length	Shape
A(E)	12	#4	2'-7"	—
A1(E)	24	#4	2'-11"	—
B(E)	8	#5	21'-6"	—
B1(E)	6	#4	21'-3"	—
D(E)	41	#5	3'-1"	—
D1(E)	45	#5	2'-6"	—
S(E)	58	#4	6'-5"	—
S1(E)	10	#4	4'-11"	—
S2(E)	48	#4	5'-2"	—
U(E)	8	#5	4'-0"	—
U1(E)	4	#4	5'-0"	—

Bars indicated thus 4 x 2-#5 etc. indicates 4 line of bars with 2 lengths per line.

Note: See sheet 4 of 6 for additional details and Bill of Material.

BEAM DETAILS
FA 68 OVER SHORT POINT CREEK
LIVINGSTON COUNTY
SN 053-0161