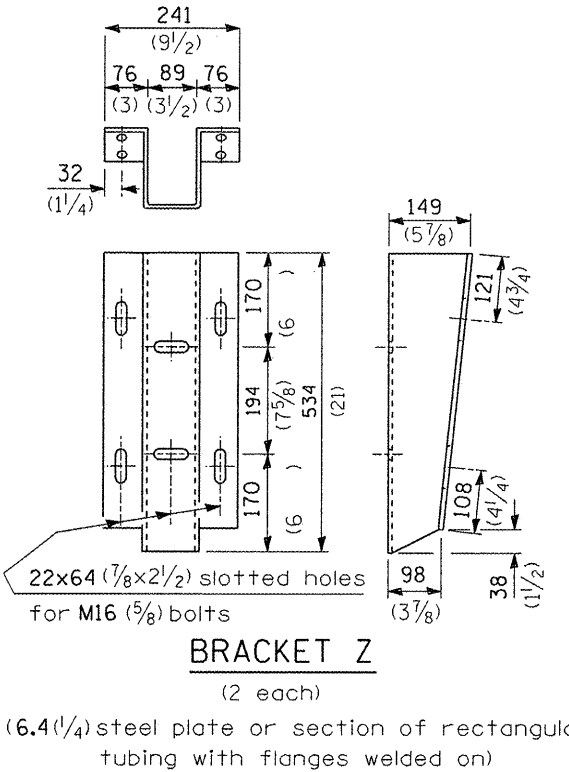
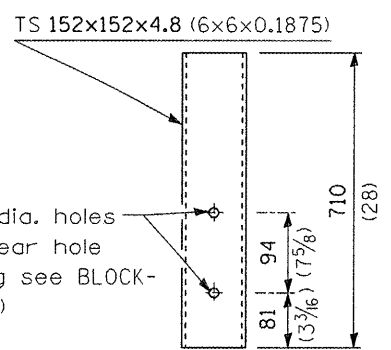
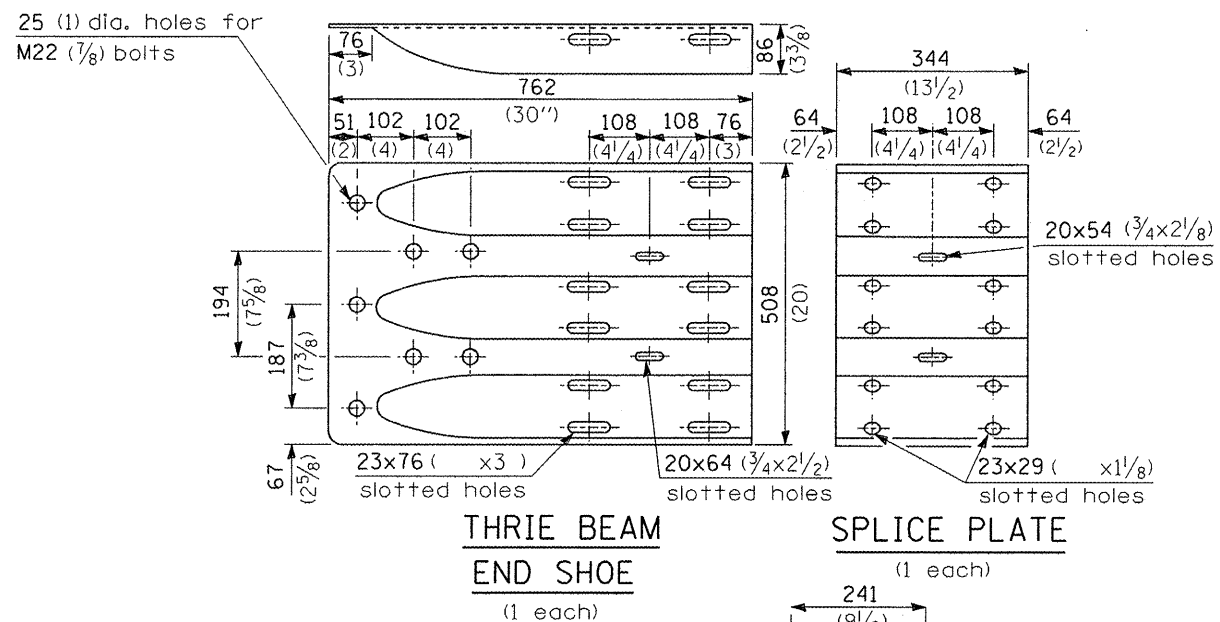
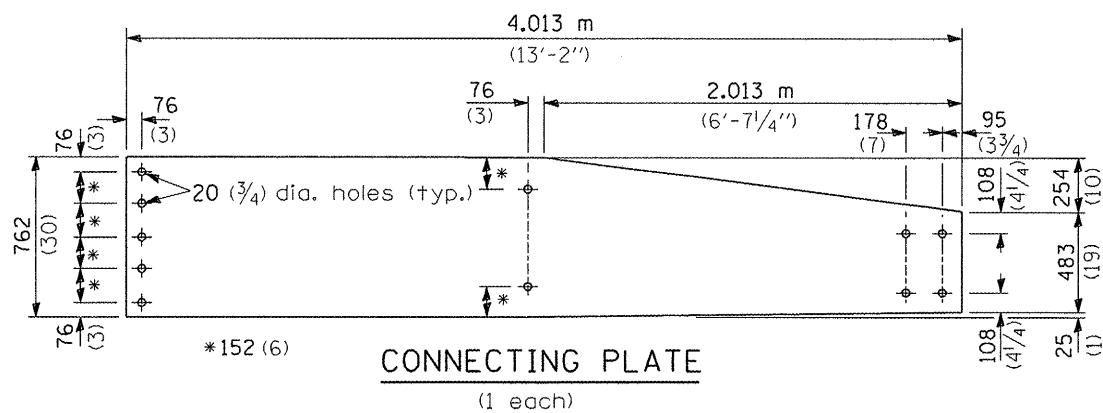
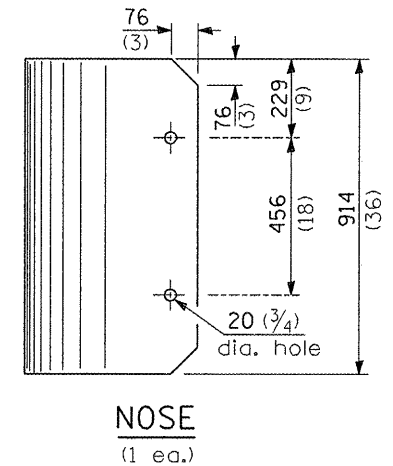
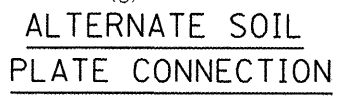
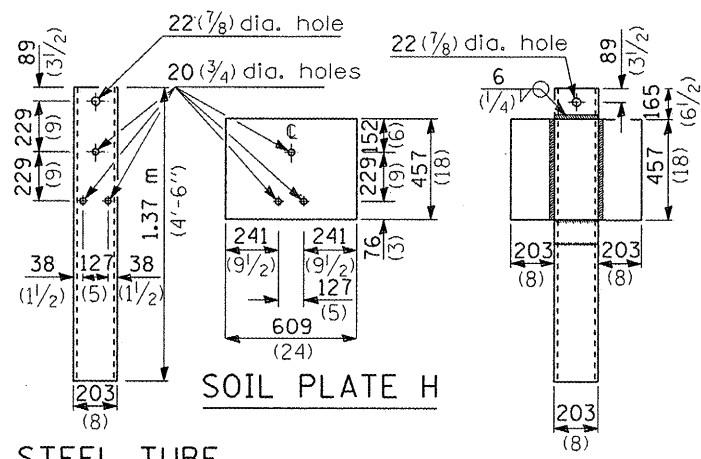
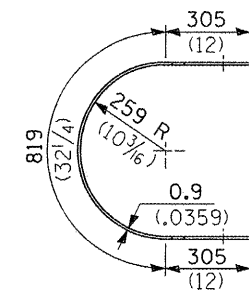
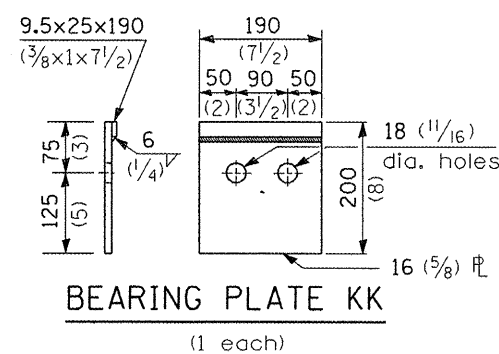


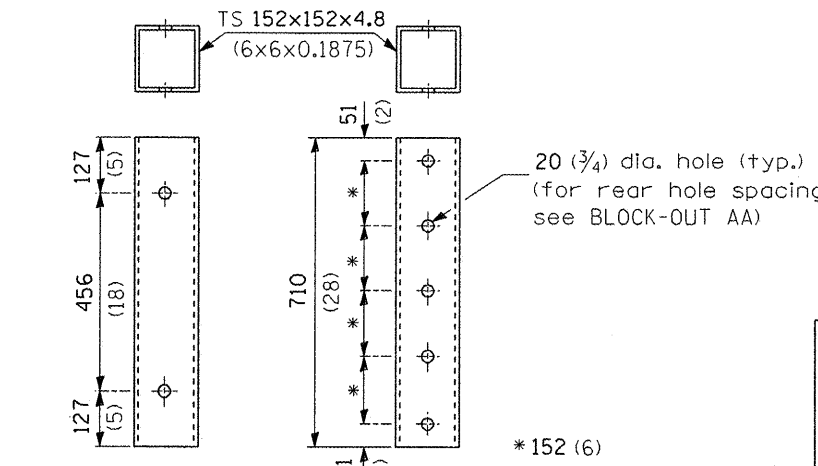
**TYPE 3A ONLY**



**TYPE 3 & 3A**



**STEEL TUBE**  
TS 203x203x4.8 (8x8x0.1875) (end terminal post) (1 ea.)  
TS 203x152x4.8 (8x6x0.1875) (terminal post) (4 ea. Type 3)  
(5 ea. Type 3A)



**DETAIL INCLUDED FOR REPAIR ONLY**

All dimensions are in millimeters (inches) unless otherwise shown.

FILE NAME =	USER NAME = schwankerg	DESIGNED -	REVISED -	<b>STATE OF ILLINOIS DEPARTMENT OF TRANSPORTATION</b>	<b>TRAFFIC BARRIER TERMINAL TYPE 3 &amp; 3A</b>	F.A. RTE.	SECTION	COUNTY	TOTAL SHEETS	SHEET NO.
al\projects\4366812\4366812-sht-details.dgn		DRAWN -	REVISED -			VAR.		VAR.	36	13
PLOT SCALE = 103.1218 / IN.		CHECKED -	REVISED -			CONTRACT NO. 66812				
PLOT DATE = May 21, 2008 - 03:35:45 PM		DATE -	REVISED -			FED. ROAD DIST. NO. ILLINOIS FED. AID PROJECT				
					SCALE:	SHEET NO.	OF	SHEETS	STA.	TO STA.

• D-3 HIGHWAY DAMAGE REPAIR 2009