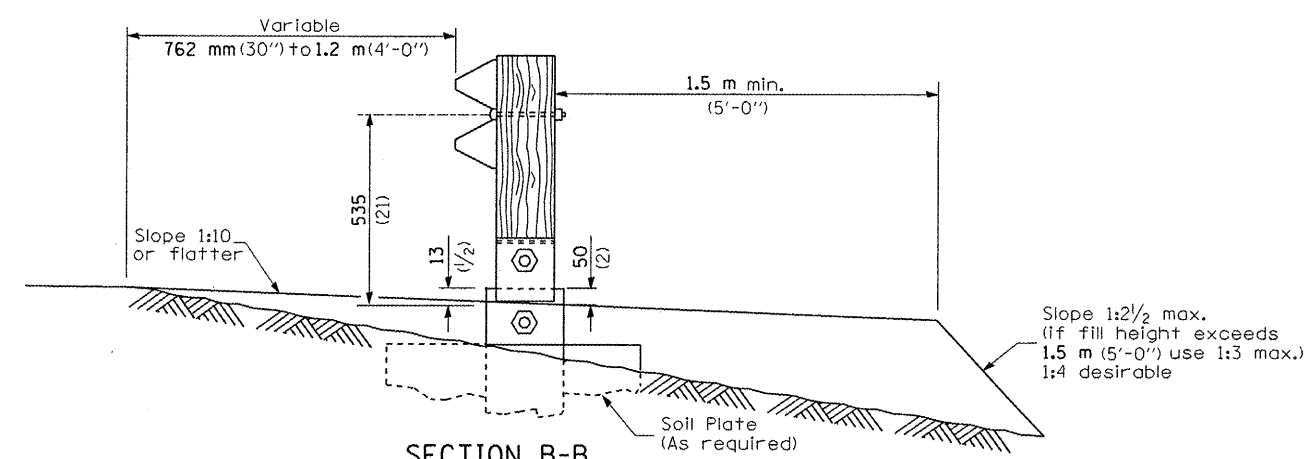


**SHOULDER WIDENING TRANSITION
FOR FLARED TERMINAL**



SECTION B-B
(End section omitted for clarity.)

FILE NAME =	USER NAME = schwonberg	DESIGNED -	REVISED -
c:\projects\d366812\d366812-sht-details.dgn		DRAWN -	REVISED -
PLOT SCALE = 1/8" = 1' IN.		CHECKED -	REVISED -
PLOT DATE = May 21, 2008 - 03:37:28 PM		DATE -	REVISED -

**STATE OF ILLINOIS
DEPARTMENT OF TRANSPORTATION**

**PRE-MGS EFFECTIVE 4-1-06
SHOULDER WIDENING FOR TYPE 1 (SPECIAL) GUARDRAIL TERMINALS
STANDARD 630301-03**
(Sheet 2 of 2)

F.A. RTE.	SECTION	COUNTY	TOTAL SHEETS	SHEET NO.
VAR.	*	VAR.	36	23
FED. ROAD DIST. NO.		ILLINOIS FED. AID PROJECT		

• D-3 HIGHWAY DAMAGE REPAIR 2009