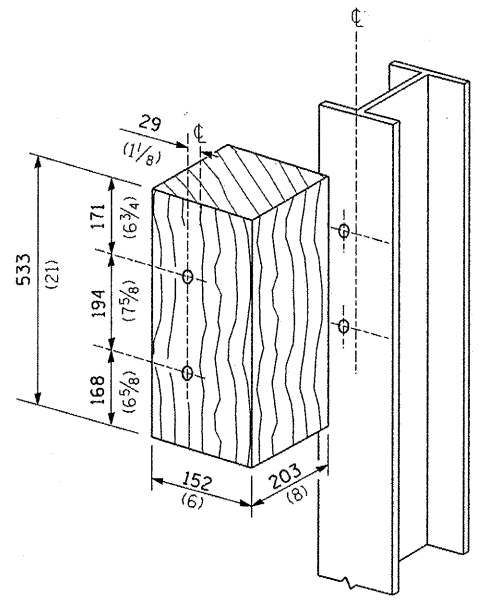


SECTION C-C

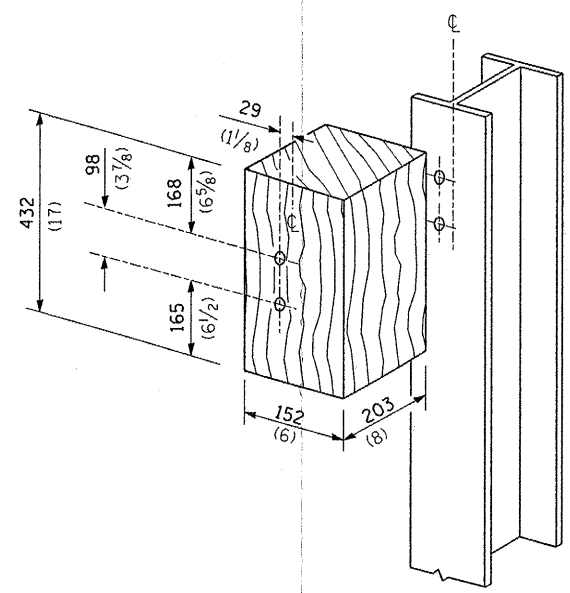
Bolts (A307) with washers and self locking nut or nut and jam nut. Top bolt 22 (7/8) by 229 (9). Bottom bolt 22 (7/8) by 127 (5) for curb mount or 22 (7/8) by 179 (7) for side mount.

- * Bolt 22x127 (7/8x5)
- ** Bolts 22x31 (7/8x2)

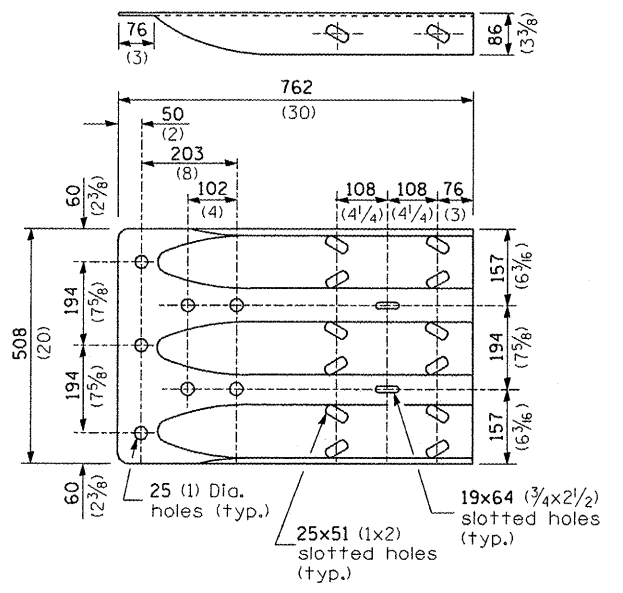
Note:
Side mounted rail similar as to connection details.



POSTS 1-11 WOOD BLOCKOUT DETAIL



POST 12 WOOD BLOCKOUT DETAIL



MODIFIED THRIE BEAM END SHOE DETAIL

FILE NAME =	USER NAME = schwankerg	DESIGNED -	REVISED -
c:\projects\4366812\4366812-sht-details.dgn		DRAWN -	REVISED -
PLOT SCALE = 1/32" = 1' IN.		CHECKED -	REVISED -
PLOT DATE = May 21, 2008 - 03:38:31 PM		DATE -	REVISED -

STATE OF ILLINOIS
DEPARTMENT OF TRANSPORTATION

PRE-MGS EFFECTIVE 4-1-06
TRAFFIC BARRIER TERMINAL, TYPE 6A
STANDARD 631032-02

Sheet 2 of 3

SCALE: SHEET NO. OF SHEETS STA. TO STA.

• D-3 HIGHWAY DAMAGE REPAIR 2009				
F.A. RTE.	SECTION	COUNTY	TOTAL SHEETS	SHEET NO.
VAR.		VAR.	36	30
FED. ROAD DIST. NO.			CONTRACT NO. 66812	
ILLINOIS FED. AID PROJECT				