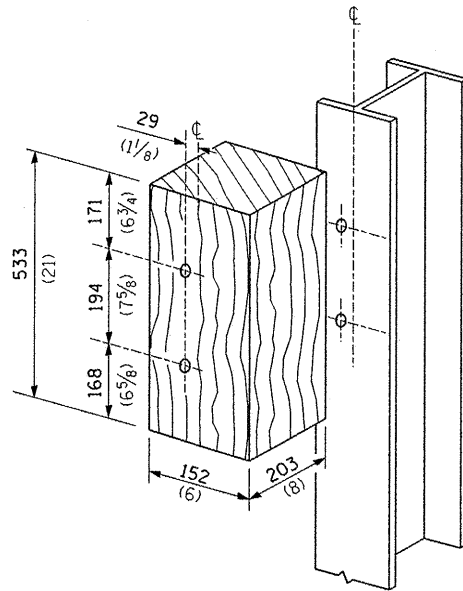
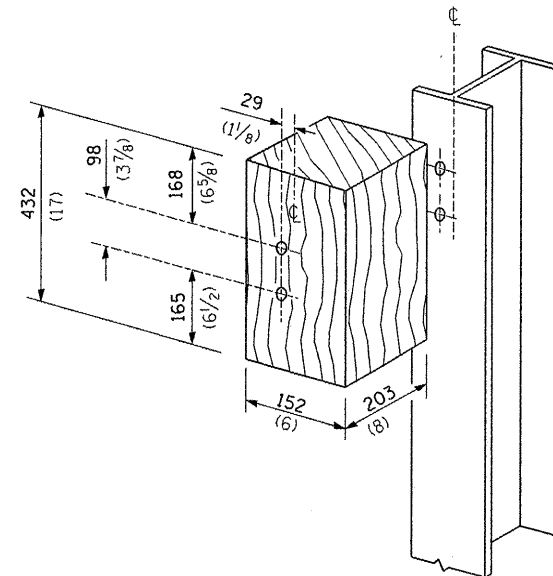


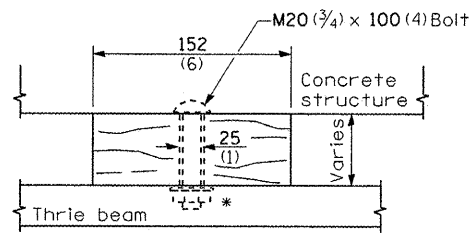
MODIFIED THICKNESS WOOD BLOCKOUT DETAIL



POSTS 1-11 WOOD BLOCKOUT DETAIL

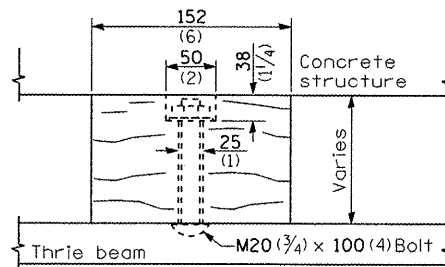


POST 12 WOOD BLOCKOUT DETAIL

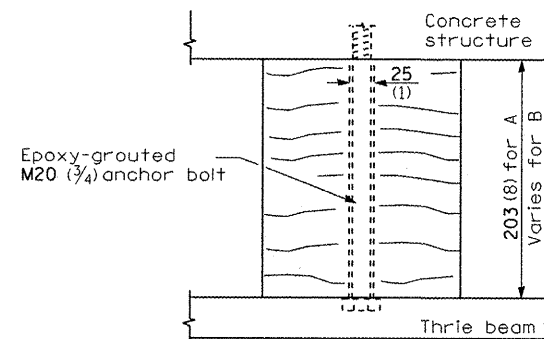


WOOD BLOCKOUT D

Bolt to thrie beam with M20 (3/4) by 100 (4) bolt, washer & nut. Reverse direction of insertion. \*



WOOD BLOCKOUT C



WOOD BLOCKOUT A & B

|   |  |            |           |
|---|--|------------|-----------|
| FILE NAME =                             | USER NAME = schwankerg                 | DESIGNED - | REVISED - |
| c:\projects\66812\66812-sht-details.dgn |  | DRAWN -    | REVISED - |
|   | PLOT SCALE = 103.1218' / IN.           | CHECKED -  | REVISED - |
|   | PLOT DATE = May 21, 2008 - 03:38:53 PM | DATE -     | REVISED - |

STATE OF ILLINOIS  
DEPARTMENT OF TRANSPORTATION

PRE-MGS EFFECTIVE 4-1-06  
TRAFFIC BARRIER TERMINAL, TYPE 6B  
STANDARD 631033-01

SCALE: SHEET NO. OF SHEETS STA. TO STA. Sheet 2 of 2

|   |         |        |                    |           |
|---|---------|--------|--------------------|-----------|
| F.A. RTE.                                       | SECTION | COUNTY | TOTAL SHEETS       | SHEET NO. |
| VAR.  | .       | VAR.   | 36                 | 33        |
| FED. ROAD DIST. NO. [ILLINOIS] FED. AID PROJECT |         |        | CONTRACT NO. 66812 |           |

• D-3 HIGHWAY DAMAGE REPAIR 2009