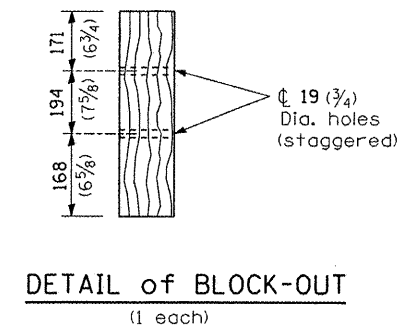
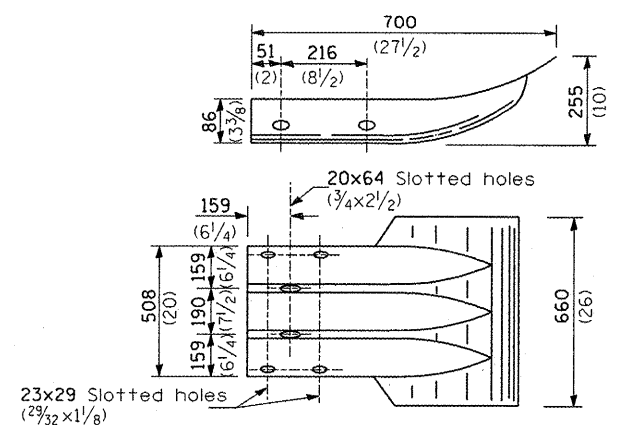
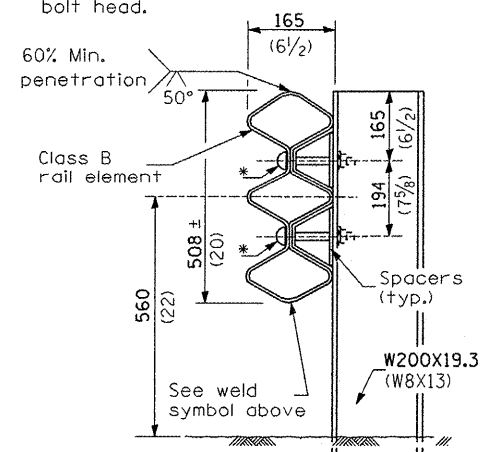


* 19 (3/4) Dia. holes for M16 (5/8) bolts with plate washer F under bolt head.



GENERAL NOTES

See Standard 509001 and 630001 for details of guardrail elements not shown.

The type 12 terminal shall be installed after the posts for the bridge retrofit rail have been located as shown on Standard 509001.

All dimensions are in millimeters (inches) unless otherwise shown.

FILE NAME =	USER NAME = schwankerg	DESIGNED -	REVISED -
c:\projects\4366812\4366812-sht-details.dgn		DRAWN -	REVISED -
PLOT SCALE = 103.1218 ' / IN.		CHECKED -	REVISED -
PLOT DATE = May 21, 2008 - 03:39:19 PM		DATE -	REVISED -

STATE OF ILLINOIS
DEPARTMENT OF TRANSPORTATION

PRE-MGS EFFECTIVE 4-1-06
TRAFFIC BARRIER TERMINAL TYPE 12
STANDARD 631056-01

• D-3 HIGHWAY DAMAGE REPAIR 2009			
F.A. RTE.	SECTION	COUNTY	TOTAL SHEET NO.
VAR.		VAR.	36 36
CONTRACT NO. 66812			
FED. ROAD DIST. NO.	ILLINOIS	FED. AID PROJECT	

SCALE: SHEET NO. OF SHEETS STA. TO STA.