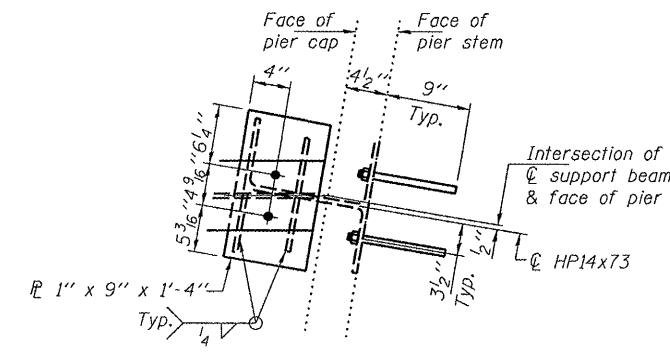
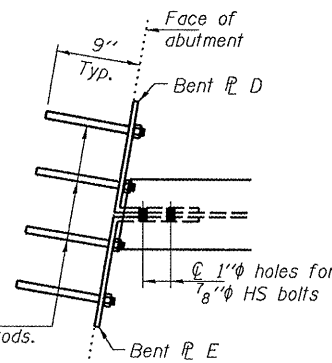
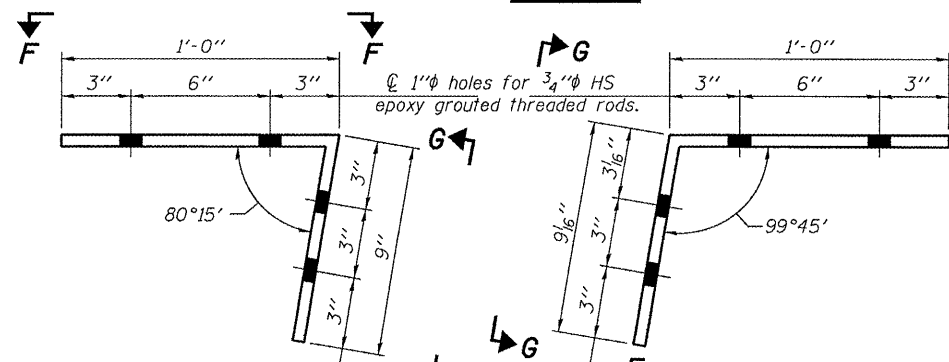
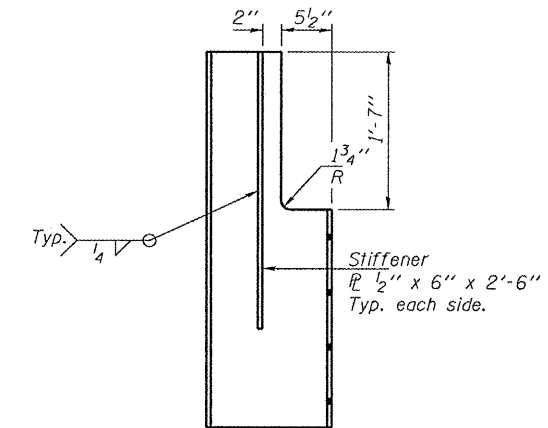
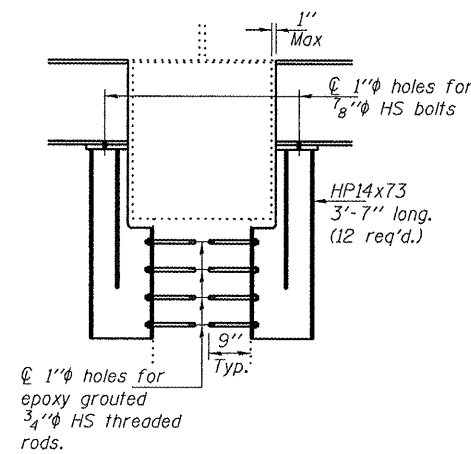
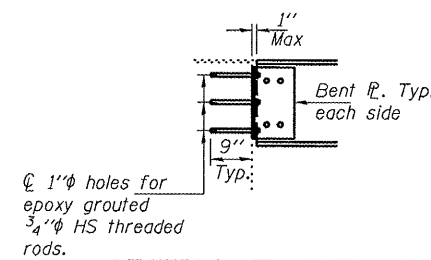
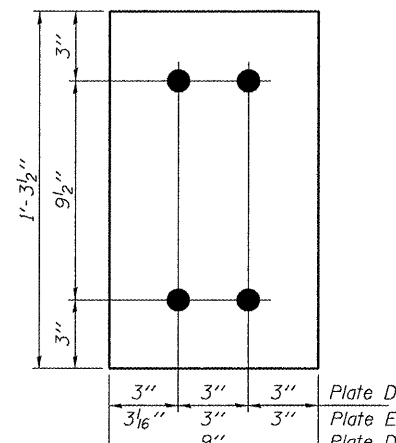
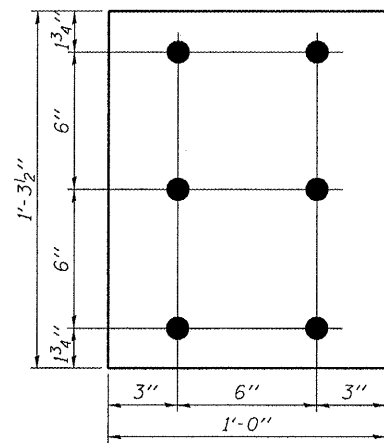
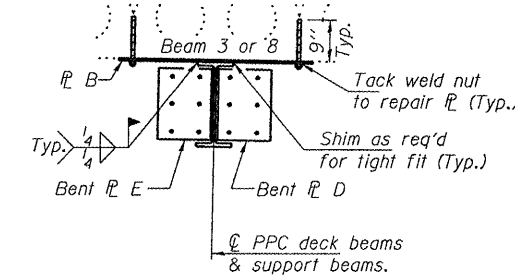
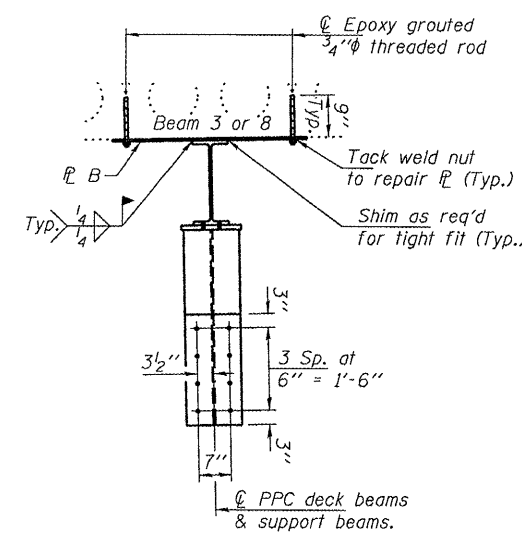
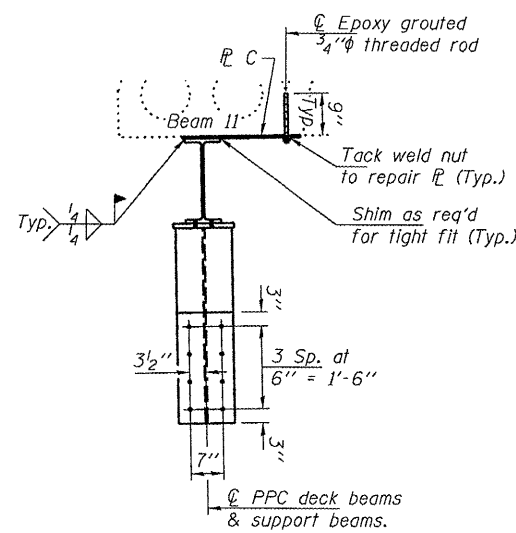
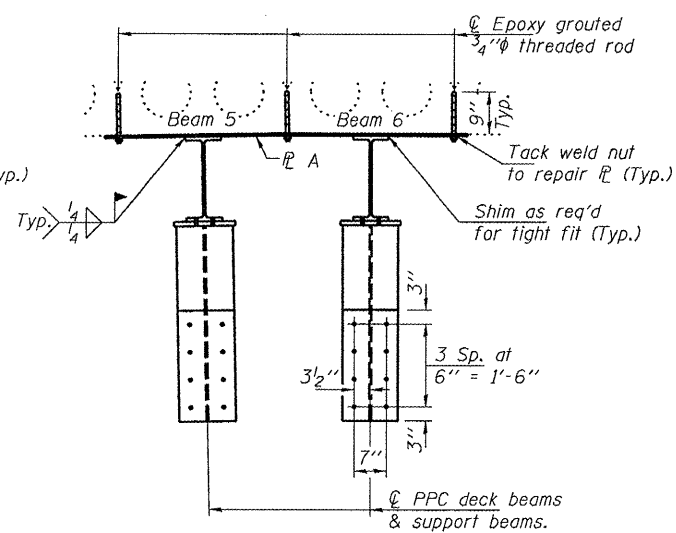
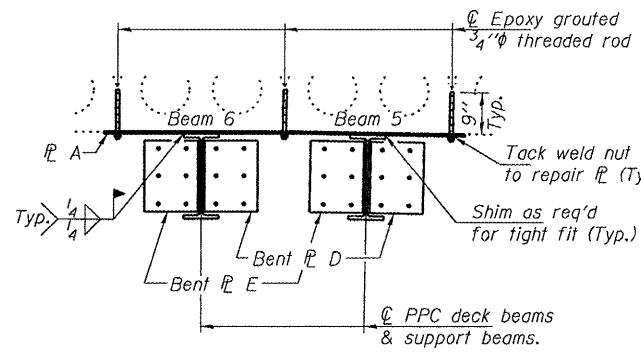


STATE OF ILLINOIS
DEPARTMENT OF TRANSPORTATION

ROUTE NO.	SECTION	COUNTY	TOTAL SHEETS	SHEET NO.
FAP 681	*	FORD	6	6
FED. ROAD DIST. NO. 7	ILLINOIS	FED. AID PROJECT		

SHEET NO. 2
2 SHEETS

Contract Number: 66818
* (116-BR-1) I



REPAIR DETAILS
SBI 116 OVER DRAINAGE DITCH
FORD COUNTY
SN 027-0045

DESIGNED	VHV
CHECKED	DAB
DRAWN	baliva
CHECKED	VHV DAB

APRIL 15, 2008
EXAMINED *Carl Prosser*
ENGINEER OF STRUCTURAL SERVICES
PASSED *Ralph E. Anderson*
ENGINEER OF BRIDGES AND STRUCTURES