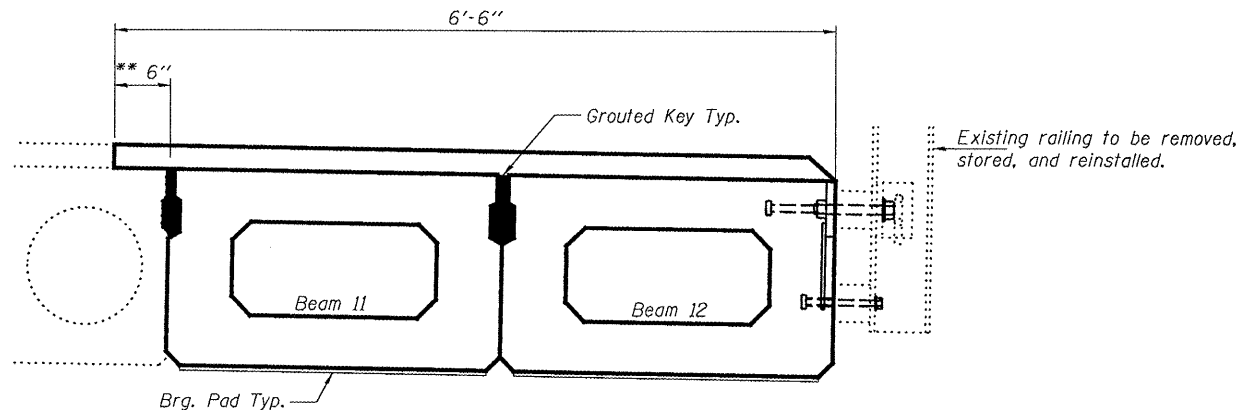
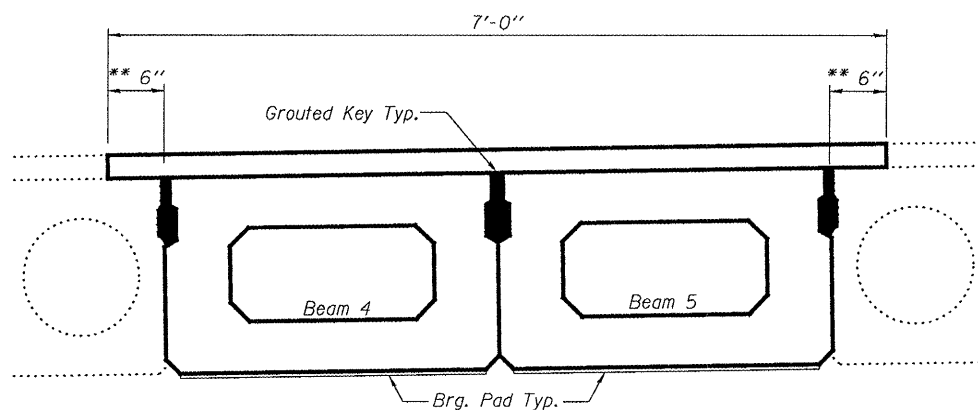


STATE OF ILLINOIS
DEPARTMENT OF TRANSPORTATION

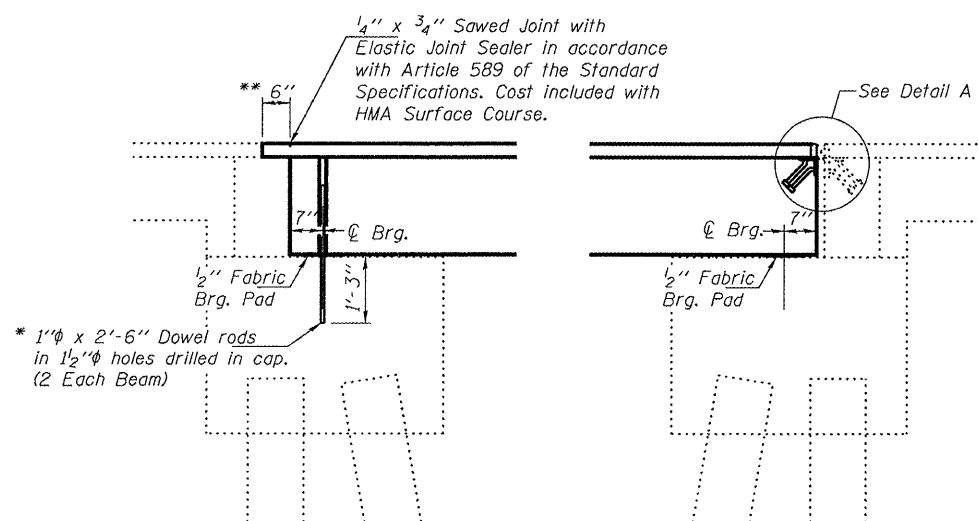
ROUTE NO.	SECTION	COUNTY	TOTAL SHEETS	SHEET NO.	SHEET NO. 4 5 SHEETS
FAP 681	(13BR)1	LIVINGSTON	15	14	
FED. ROAD DIST. NO. 7		ILLINOIS		FED. AID PROJECT	

Contract Number: 66821



PARTIAL DECK CROSS SECTION

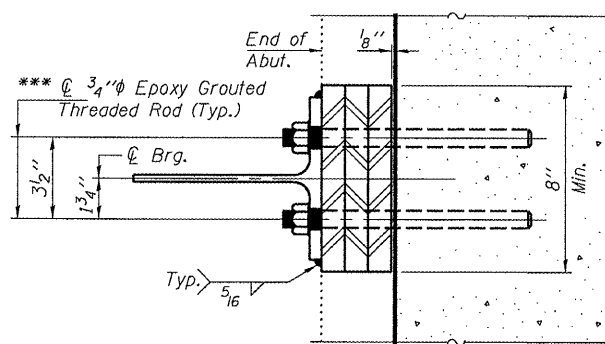
** Limits of HMA Surface Removal. Existing waterproofing to remain. Lap new waterproofing 6" over existing.



TYPICAL SECTION AT W. ABUTMENT

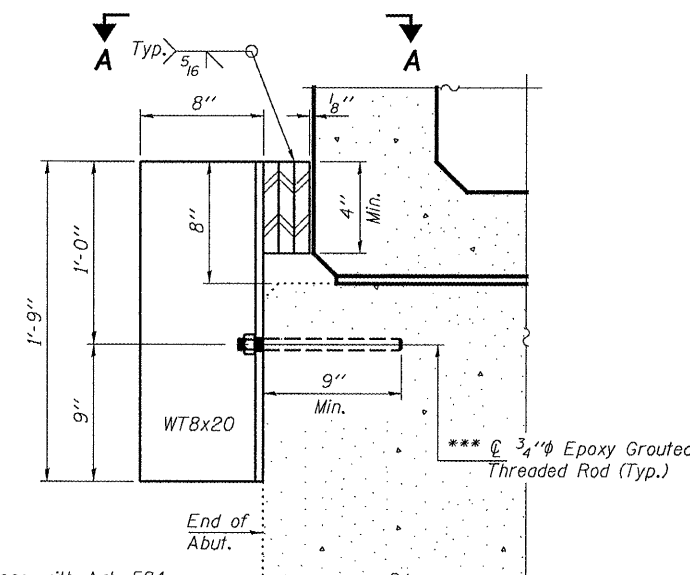
TYPICAL SECTION AT E. ABUTMENT

* Existing dowel rods are to be burned off, ground flush, and sealed with epoxy prior to placement of new beams. Cost included in Removal of Existing PPC Deck Beams. After beams have been erected holes shall be drilled into cap and dowel rods placed. Dowel holes shall be filled with non-shrink grout to top of beam and allowed to cure a minimum of 24 hours prior to grouting the shear keys.

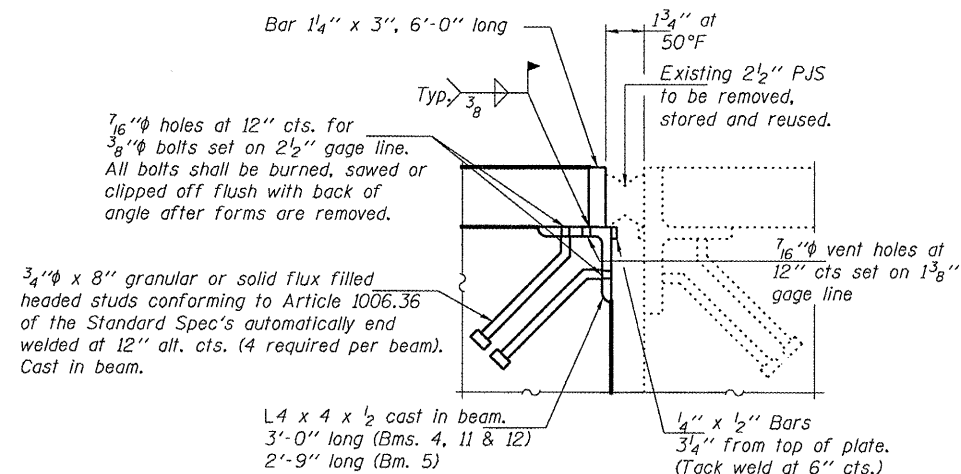


SECTION A-A

*** In accordance with Art. 584 of the Standard Specifications.



RETAINER AT BEAM 12, C. BRG E. ABUT.
(Outside face only)
(Cost included with PPC Deck Beams)



DETAIL A

(Cost included with PPC Deck Beams)

ELEVATION NEW JOINT P TO EXISTING JOINT R

DESIGNED	ATH
CHECKED	AJB
DRAWN	baliva
CHECKED	ATH AJB

MAY 12, 2008
EXAMINED *Carl Perry*
ENGINEER OF STRUCTURAL SERVICES
PASSED *Ralph E. Anderson*
ENGINEER OF BRIDGES AND STRUCTURES

REPAIR DETAILS
FAP 681
LIVINGSTON COUNTY
SN 053-0159