

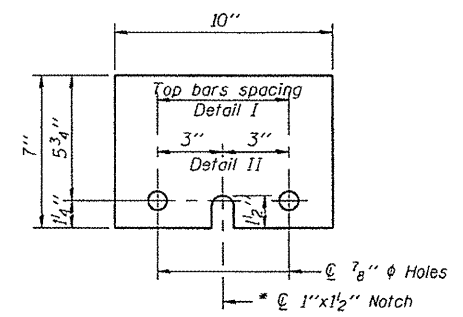
SECTIONS THRU SLAB

NOTES

Detail I - With Bar Splicer or Couplers:
Connect one (1) 1"x7"x10" steel P to the top layer of couplers with 2-5/8" φ bolts screwed to coupler at approximate C of each barrier panel.

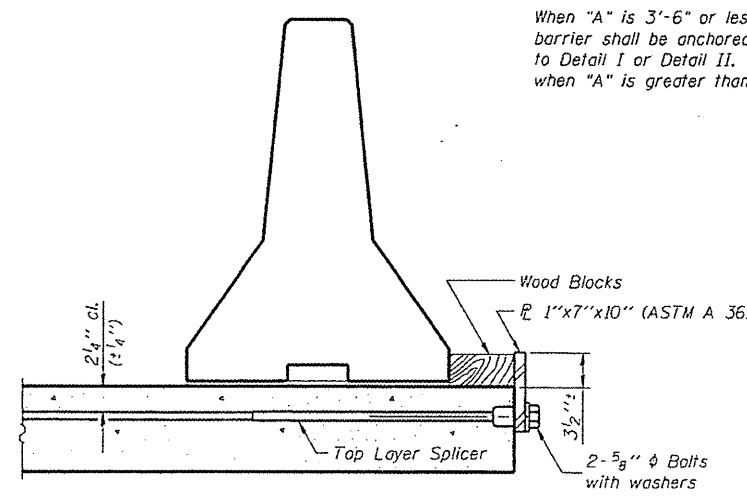
Detail II - With Extended Reinforcement Bars:
Connect one (1) 1"x7"x10" steel P to the concrete slab with 2-5/8" φ Expansion Anchors or cast in place inserts spaced between the top layer of reinforcement at approximate C of each barrier panel.

Cast of anchorage is included with Temporary Concrete Barrier.



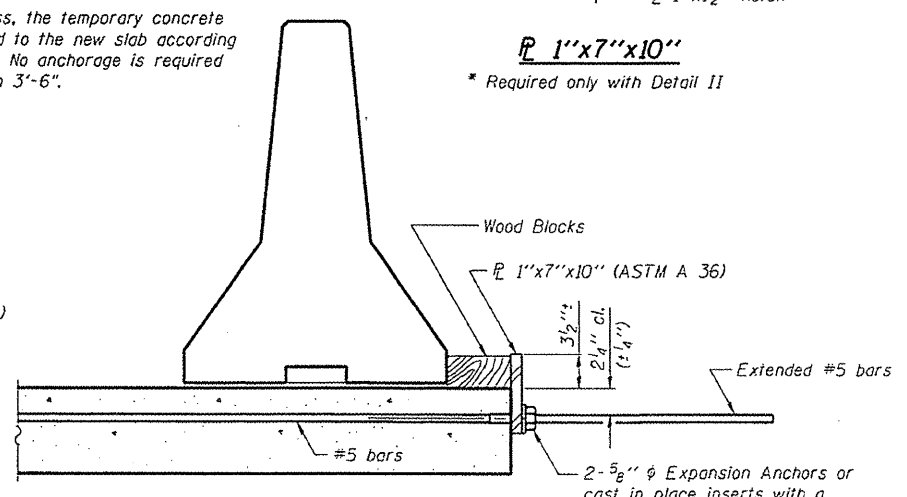
1"x7"x10"
* Required only with Detail II

When "A" is 3'-6" or less, the temporary concrete barrier shall be anchored to the new slab according to Detail I or Detail II. No anchorage is required when "A" is greater than 3'-6".



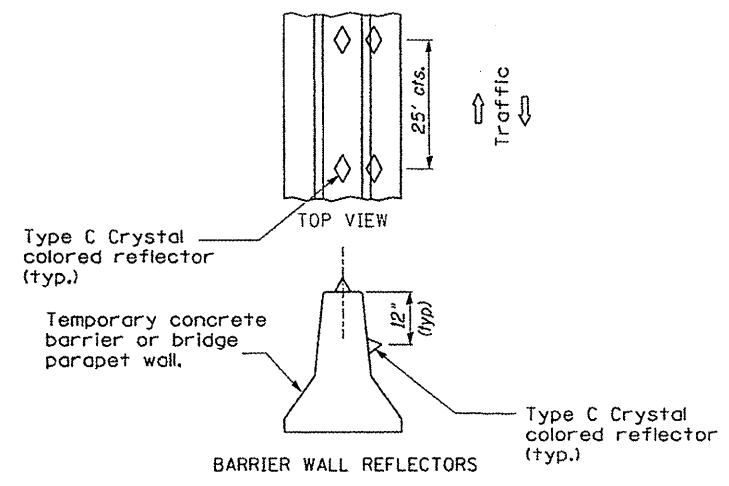
DETAIL I

The 1"x7"x10" Plate shall not be removed until Stage II Construction forms and reinforcement bars are in place.

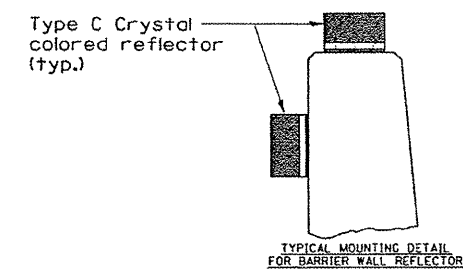


DETAIL II

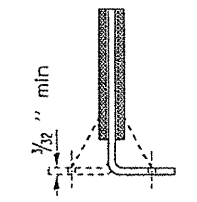
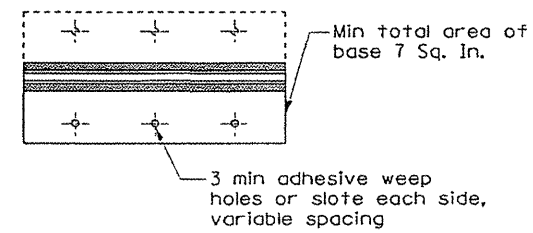
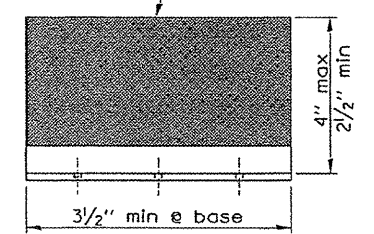
The 1"x7"x10" Plate shall not be removed until Stage II Construction forms and all reinforcement bars are in place and the concrete is ready to be placed.



DETAIL A



Min. reflective area 6 1/2" each side may be rectangular or slight trapezoid



Cross section may be "T" or "L" shaped and may have side supports at ends.

TYPE C REFLECTOR

FILE NAME =	USER NAME = woodsharvl	DESIGNED - RLV	REVISED -
PROJECTS\back beam repl 08/14/08-214.dgn		DRAWN - RLV	REVISED -
PLOT SCALE = 1/8" = 1'-0"		CHECKED -	REVISED -
PLOT DATE = Mar 28, 2008 - 03:33:30 PM		DATE -	REVISED -

STATE OF ILLINOIS
DEPARTMENT OF TRANSPORTATION

TEMPORARY CONCRETE BARRIER

SCALE: SHEET NO. 1 OF 1 SHEETS STA. TO STA.

F.A.P. RTE. 698	SECTION (101BR)	COUNTY BUREAU	TOTAL SHEETS 14	SHEET NO. 8
CONTRACT NO. 66829			FED. ROAD DIST. NO. (ILLINOIS) FED. AID PROJECT	