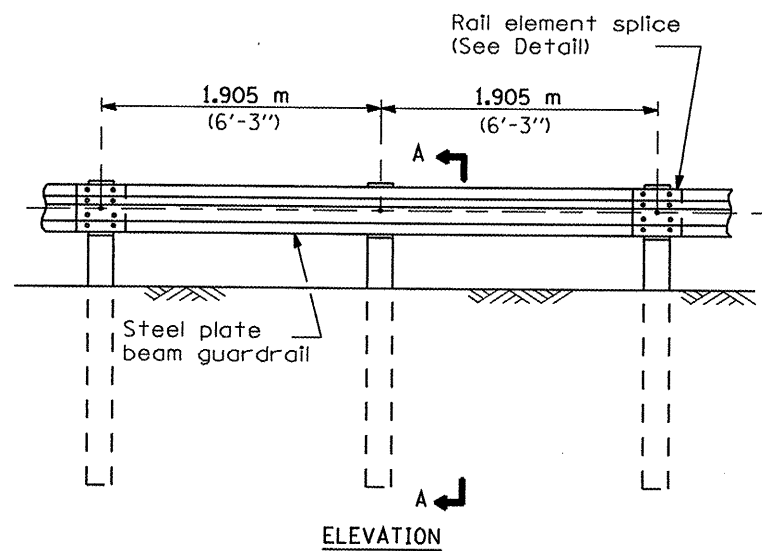
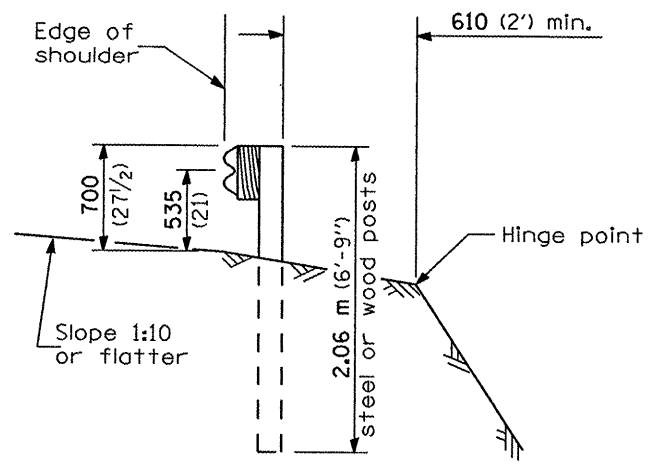


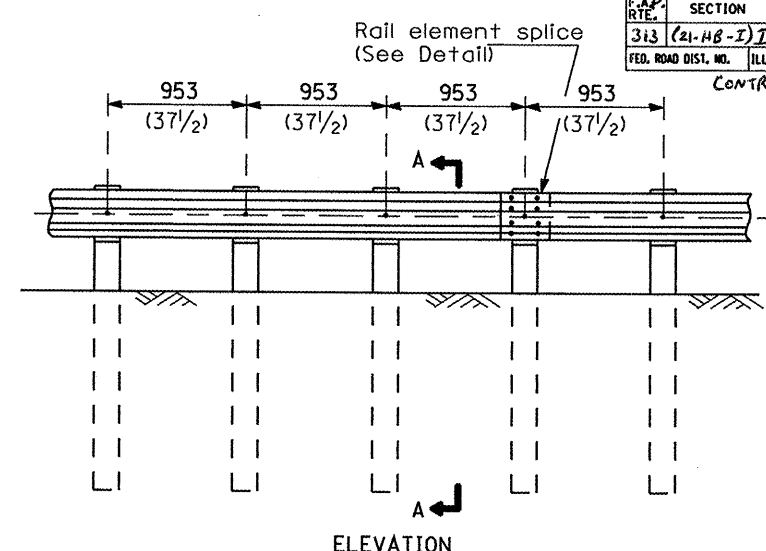
F.A.P. RTE.	SECTION	COUNTY	TOTAL SHEETS	SHEET NO.
313	(21-HB-I)I	KAROK		17A
FED. ROAD DIST. NO. ILLINOIS FED. AID PROJECT				
CONTRACT NO. 68216				



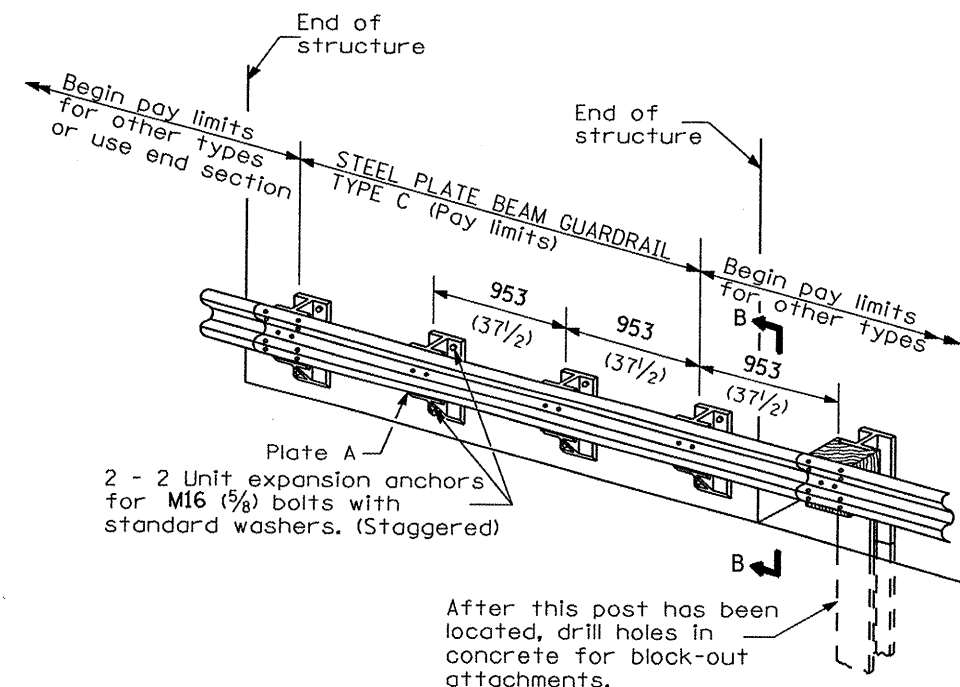
TYPE A
1.905 m (6'-3") Typical post spacing



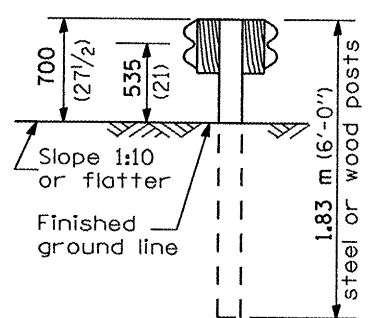
SECTION A-A



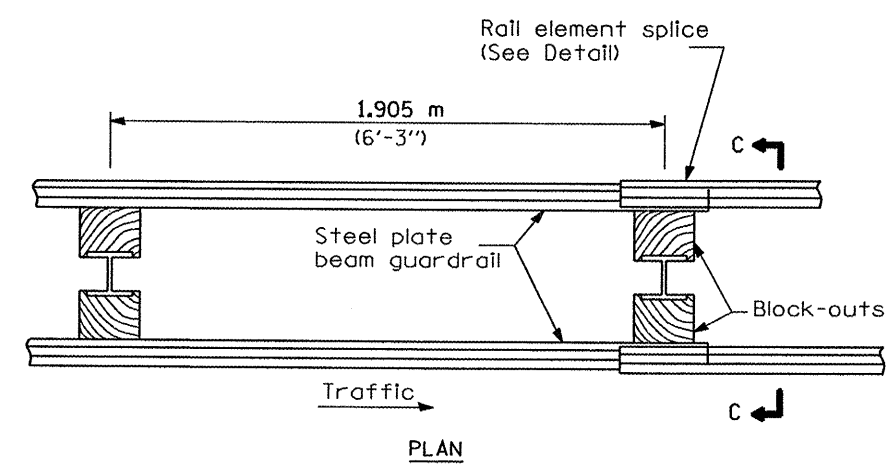
TYPE B
953 (37 1/2) Closed post spacing



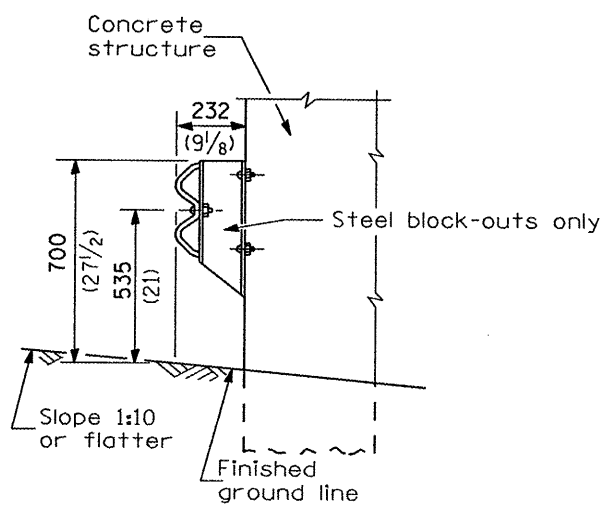
TYPE C
953 (37 1/2) Block-out spacing



SECTION C-C



TYPE D
Double steel plate beam guardrail
1.905 m (6'-3") typical post spacing



SECTION B-B

GENERAL NOTES

All slope ratios are expressed as units of vertical displacement to units of horizontal displacement (V:H).
All dimensions are in millimeters (inches) unless otherwise shown.
The existing steel posts may be drilled to match the bolt pattern shown herein for the wood block-out, or a new steel post shall be provided.
This detail is applicable to the guardrail system used prior to January 1, 2007. For details on the Midwest Guardrail System, see Standard 630001.

**REMOVE AND REERECT
STEEL PLATE BEAM GUARDRAIL**

(Sheet 1 of 4)

DETAIL