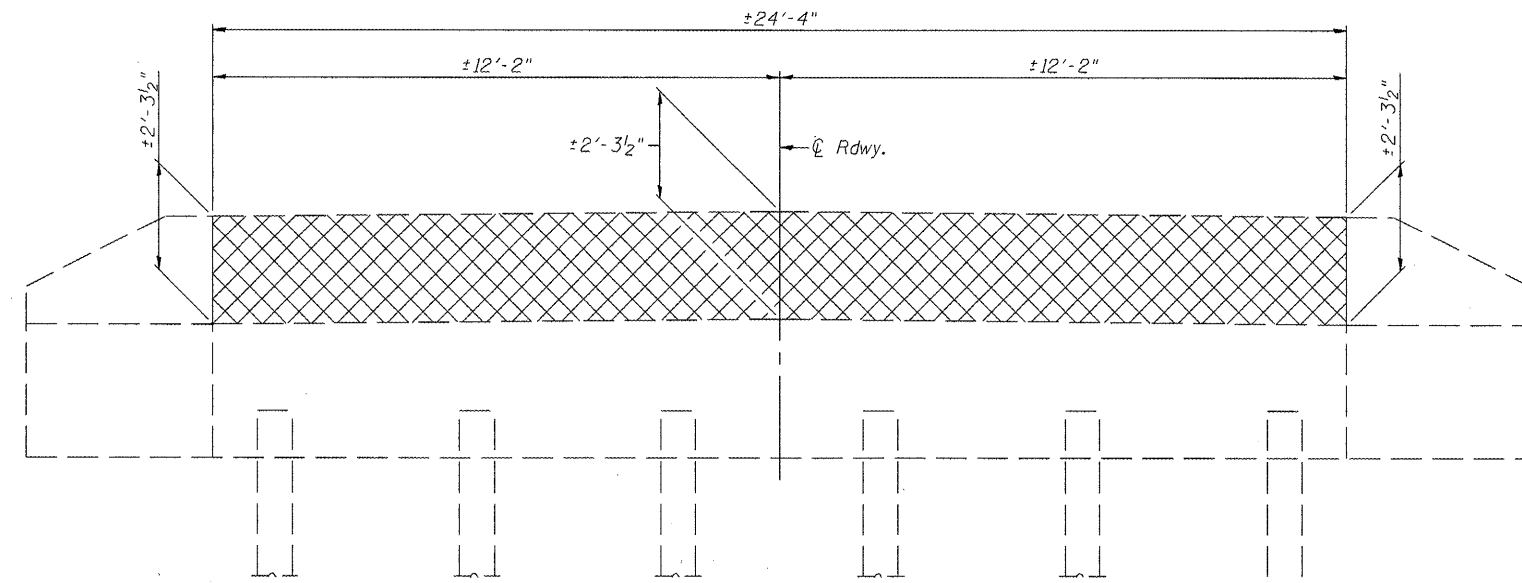


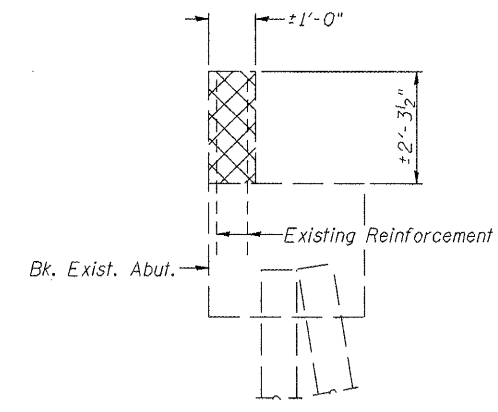
ROUTE NO.	SECTION	COUNTY	TOTAL SHEETS	SHEET NO.
F.A.S. 744	108B-1-2	TAZEWELL	29	21
FED. ROAD DIST. NO. 7	ILLINOIS	FED. AID PROJECT		

SHEET NO. 14
20 SHEETS

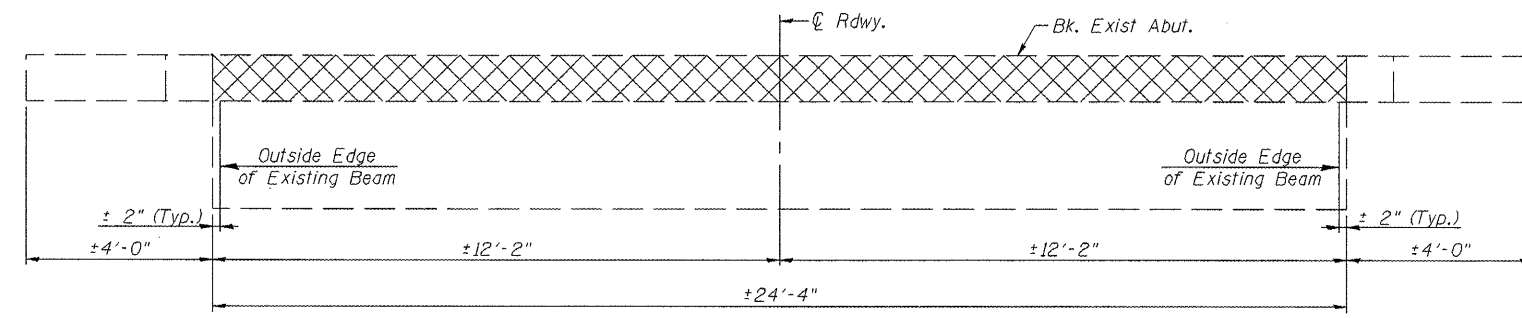
Contract # 68485



ELEVATION
(Looking South)



SECTION THRU ABUTMENT



PLAN

Note: Existing vertical Reinforcing steel to be cleaned, straightened, cut (if required), and incorporated into new construction. Damaged reinforcing steel shall be replaced or removed as directed by the Engineer. Cost included with "Concrete Removal".

BILL OF MATERIAL

ITEM	UNIT	QUANTITY
Concrete Removal	Cu. Yd.	2.1

LEGEND

▨ - Indicates Concrete Removal

SOUTH ABUTMENT CONCRETE REMOVAL
F.A.S. ROUTE 744 (OLD IL 121)
OVER MACKINAW RIVER
SECTION 108B-1-2
TAZEWELL COUNTY
STATION 667+55.00
STRUCTURE NO. 090-0087