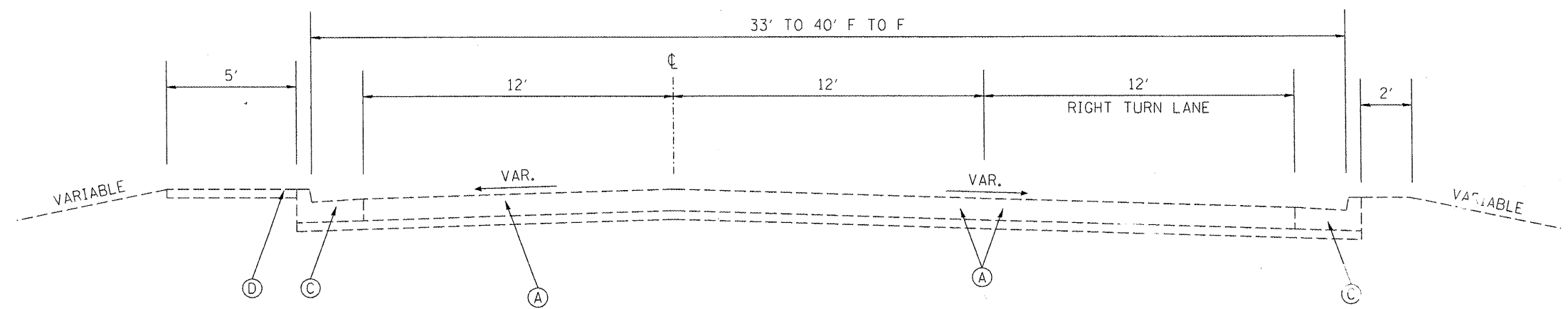
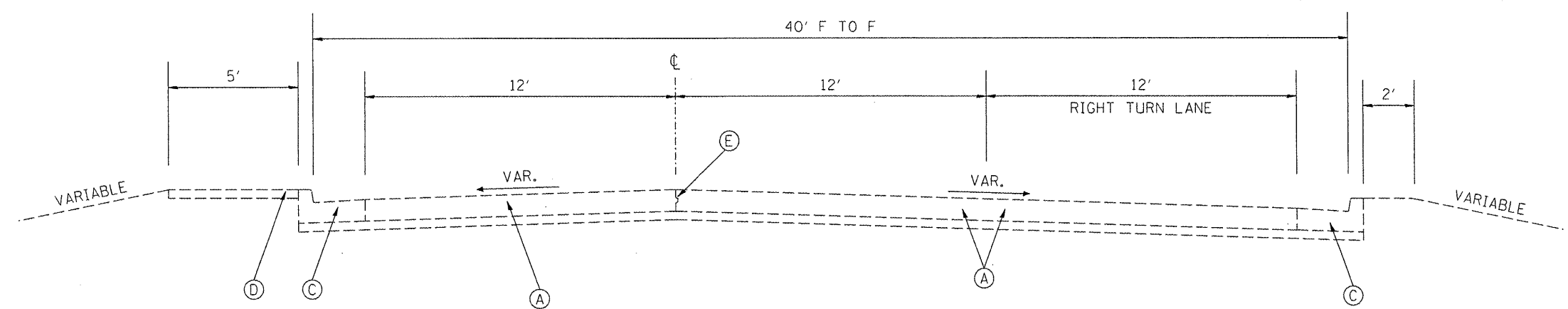


F.A.P. RTE.	SECTION	COUNTY	TOTAL SHEETS	SHEET NO.
693	*	TAZEWELL	82	9
STA.	TO STA.			
FED. ROAD DIST. NO.	ILLINOIS	FED. AID PROJECT		

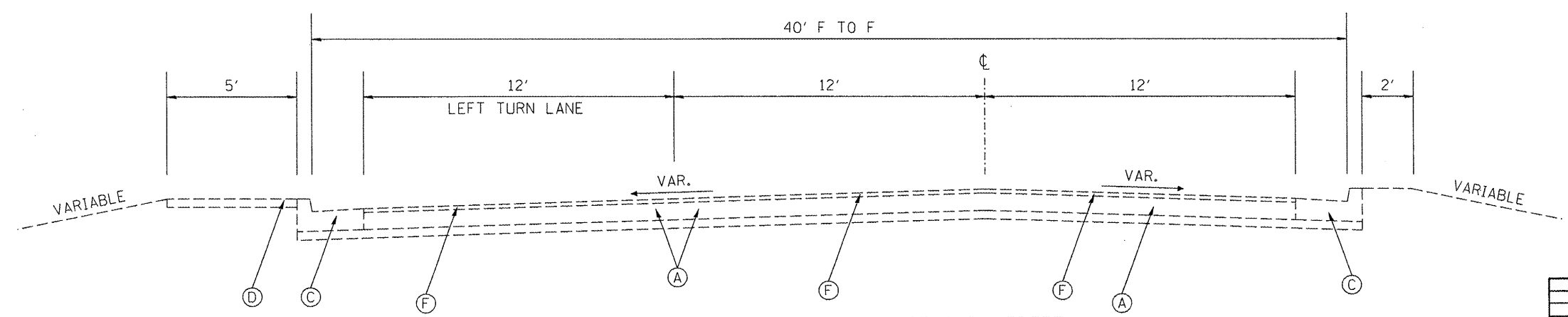
\*13R-1(9)TS;(12B)I,1-1



SECOND STREET  
STA. 8+20.00 TO STA. 8+50.00



SECOND STREET  
STA. 8+50.00 TO STA. 9+96.99



SECOND STREET  
STA. 9+96.99 TO STA. 12+45.28

LEGEND - PROPOSED

- ① PCC PAVEMENT 10" (JOINTED)
- ② HMA BINDER COURSE, IL-19.0, N50 6"
- ③ COMBINATION CONC. CURB & GUTTER, TYPE B-6.24
- ④ PCC SIDEWALK 4"
- ⑤ HMA SURFACE REMOVAL 2"
- ⑥ HMA LEVELING BINDER 3/4"
- ⑦ HMA SURFACE COURSE 1 1/2"

LEGEND - EXISTING

- (A) 10" PCC PAVEMENT
- (B) 6" STABILIZED SUB-BASE
- (C) CCC & G, TYPE B-6.24
- (D) 4" PCC SIDEWALK
- (E) KEY JOINT
- (F) BITUMINOUS OVERLAY
- (G) CCC&G, TYPE B-6.12

REVISIONS	
NAME	DATE

ILLINOIS DEPARTMENT OF TRANSPORTATION

EXISTING PAVEMENT  
IL 29 / SECOND ST

SCALE: VERT. \_\_\_\_\_  
HORIZ. \_\_\_\_\_

DATE \_\_\_\_\_ DRAWN BY \_\_\_\_\_  
CHECKED BY \_\_\_\_\_

PLOT DATE = 3/26/2008  
 FILE NAME = S:\GEN\DRAW\STOPS\PLUS\50\40\9-NEW\Active Contracts\68608\IL 29 Pakin - plan.dwg  
 PLOT SCALE = 1/8" = 1'-0"  
 USER NAME = pbruce