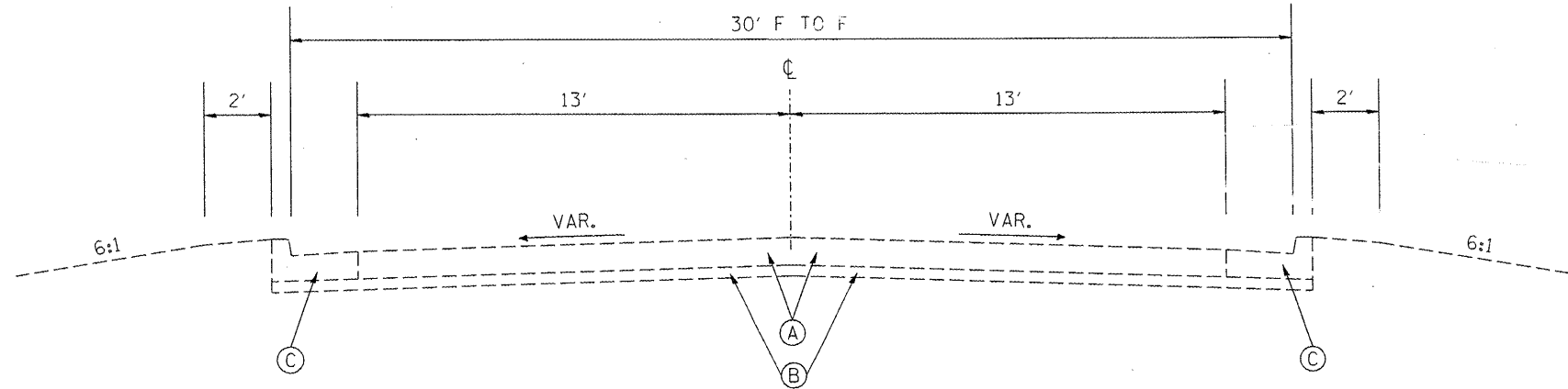


| | | | | |
|-----------------------|---------|---------------------------|--------------|-----------|
| F.A.P. RTE. | SECTION | COUNTY | TOTAL SHEETS | SHEET NO. |
| 693 | * | TAZEWELL | 82 | 11 |
| STA. | | TO STA. | | |
| FED. ROAD DIST. NO. | | ILLINOIS FED. AID PROJECT | | |
| *13R-1(9)TS(12B)L,I-1 | | | | |



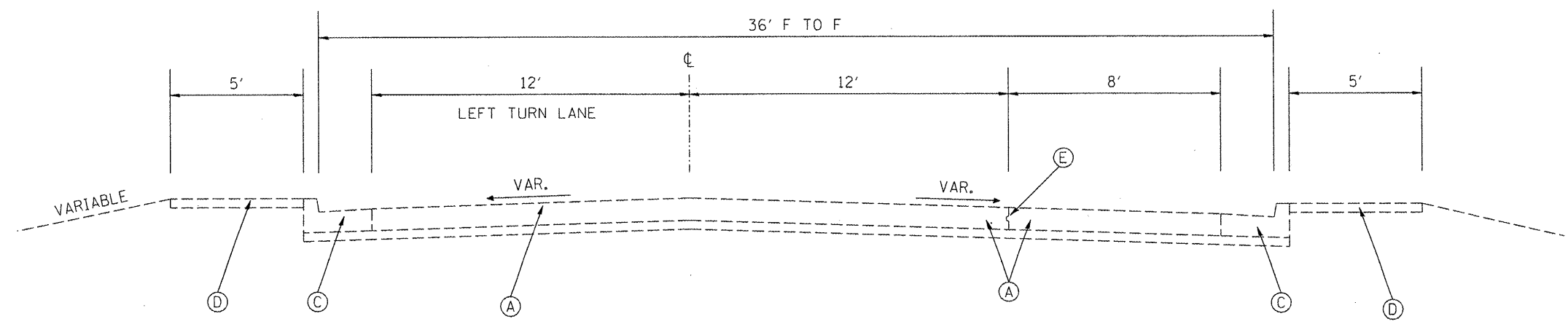
WESTBOUND IL-9
STA. 105+83 TO STA. 109+10.85

LEGEND - PROPOSED

- ① PCC PAVEMENT 10" (JOINTED)
- ② HMA BINDER COURSE, IL-19.0, N50 6"
- ③ COMBINATION CONC. CURB & GUTTER, TYPE B-6.24
- ④ PCC SIDEWALK 4"
- ⑤ HMA SURFACE REMOVAL 2"
- ⑥ HMA LEVELING BINDER 3/4"
- ⑦ HMA SURFACE COURSE 1 1/2"

LEGEND - EXISTING

- (A) 10" PCC PAVEMENT
- (B) 6" STABILIZED SUB-BASE
- (C) CCC & G, TYPE B-6.24
- (D) 4" PCC SIDEWALK
- (E) KEY JOINT
- (F) BITUMINOUS OVERLAY
- (G) CCC&G, TYPE B-6.12



ANN ELIZA STREET (WB IL-9)
STA. 109+42.65 TO STA. 112+20.00

| REVISIONS | |
|-----------|------|
| NAME | DATE |
| | |
| | |
| | |
| | |
| | |
| | |
| | |
| | |
| | |
| | |

ILLINOIS DEPARTMENT OF TRANSPORTATION

EXISTING PAVEMENT
IL-9

SCALE: VERT. _____
HORIZ. _____

DATE _____ DRAWN BY _____
CHECKED BY _____

PLOT DATE = 3/28/2008
 FILE NAME = S:\GEN\ORF\1\108\PLANS\SDUDP-NEW\Active Contracts\68608\IL 9 Plan - plandwg
 PLOT SCALE = 1/8"=1'-0"
 USER NAME = bruceb