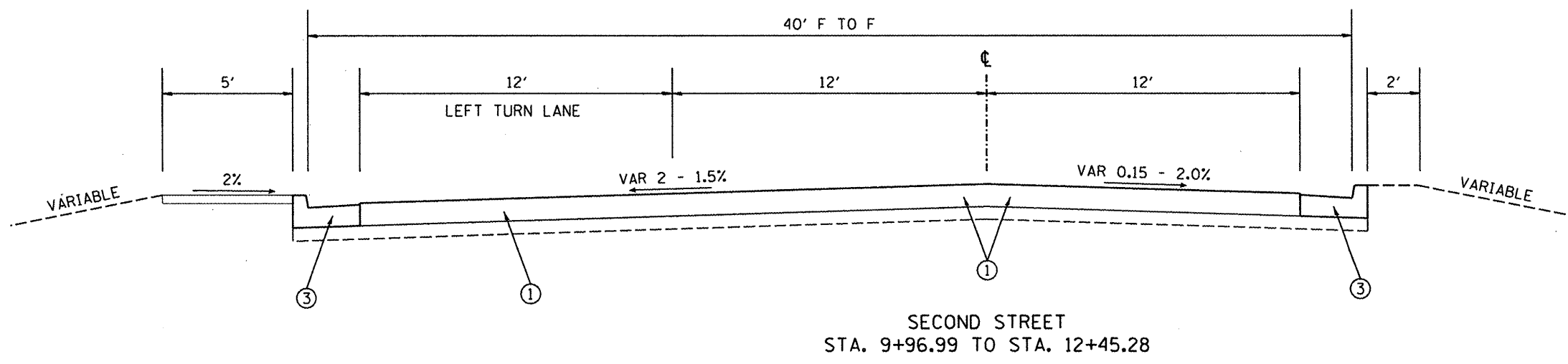
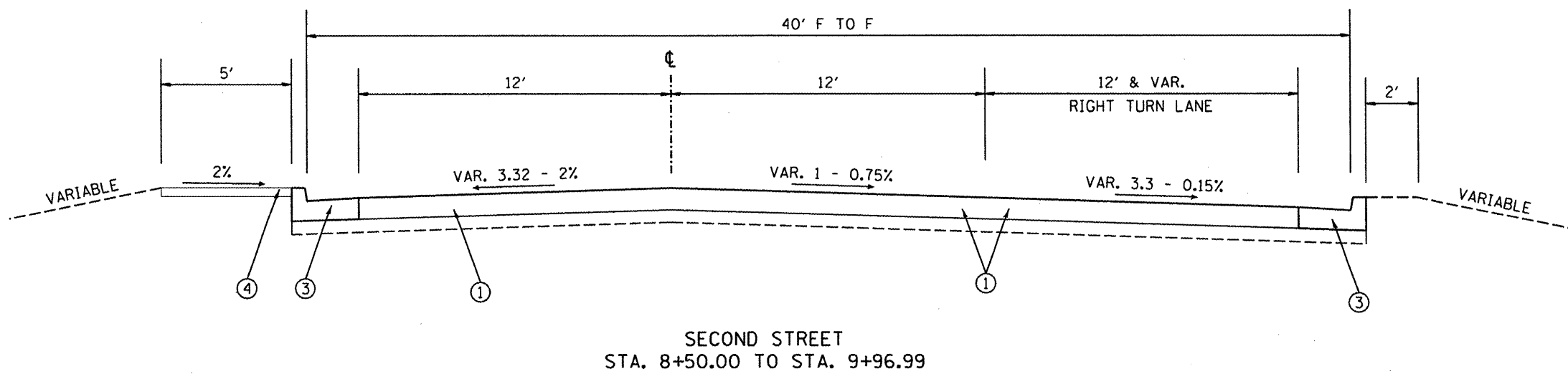
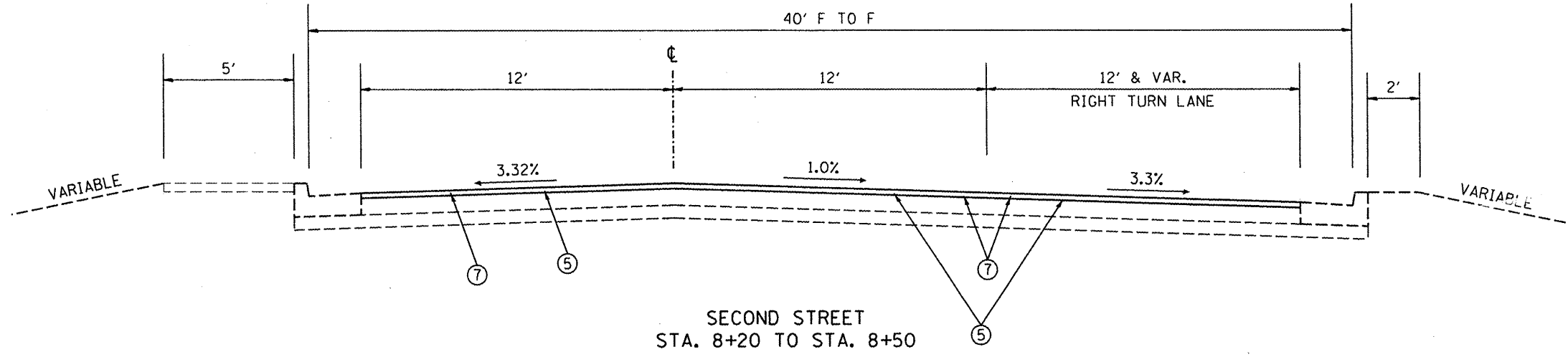


F.A.P. RTE.	SECTION	COUNTY	TOTAL SHEETS	SHEET NO.
693	*	TAZEWELL	82	13
STA.	TO STA.			
FED. ROAD DIST. NO.	ILLINOIS	FED. AID PROJECT		

*13R-1:(9)TS;(12)BL,I-1



LEGEND - PROPOSED

- ① PCC PAVEMENT 10" (JOINTED)
- ② HMA BINDER COURSE, IL-19.0, N50 6"
- ③ COMBINATION CONC. CURB & GUTTER, TYPE B-6.24
- ④ PCC SIDEWALK 4"
- ⑤ HMA SURFACE REMOVAL 2"
- ⑥ HMA LEVELING BINDER 3/4"
- ⑦ HMA SURFACE COURSE 1 1/2"

LEGEND - EXISTING

- Ⓐ 10" PCC PAVEMENT
- Ⓑ 6" STABILIZED SUB-BASE
- Ⓒ CCC & G, TYPE B-6.24
- Ⓓ 4" PCC SIDEWALK
- Ⓔ KEY JOINT
- Ⓕ BITUMINOUS OVERLAY
- Ⓖ CCC&G, TYPE B-6.12

REVISIONS	
NAME	DATE

ILLINOIS DEPARTMENT OF TRANSPORTATION

PROPOSED TYPICAL SECTIONS
IL 29 / SECOND ST

SCALE: VERT. _____
HORIZ. _____

DATE _____ DRAWN BY _____
CHECKED BY _____

PLOT DATE : 2/26/2008
 FILE NAME : S:\AS\PROJECTS\2008\IL29\2008-02-26\13R-1:(9)TS;(12)BL,I-1.dwg
 PLOT SCALE : 1/8" = 1'-0"
 USER NAME : bcrum