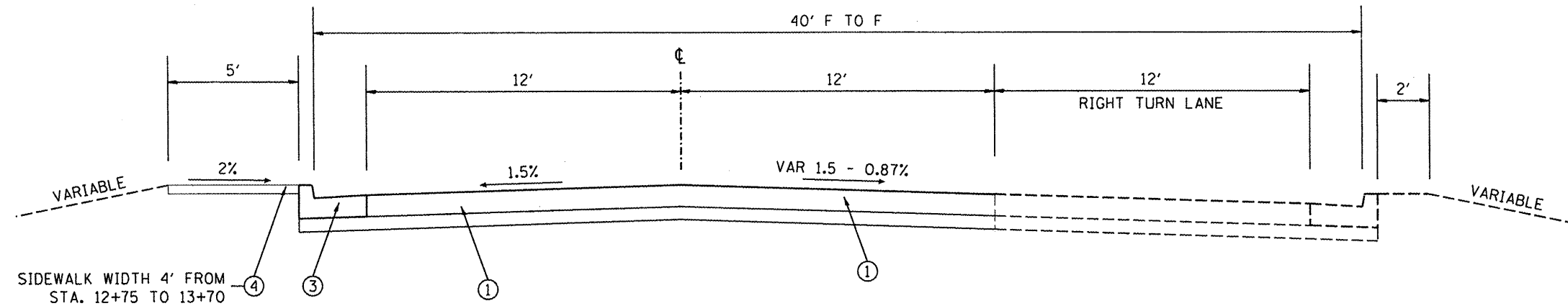


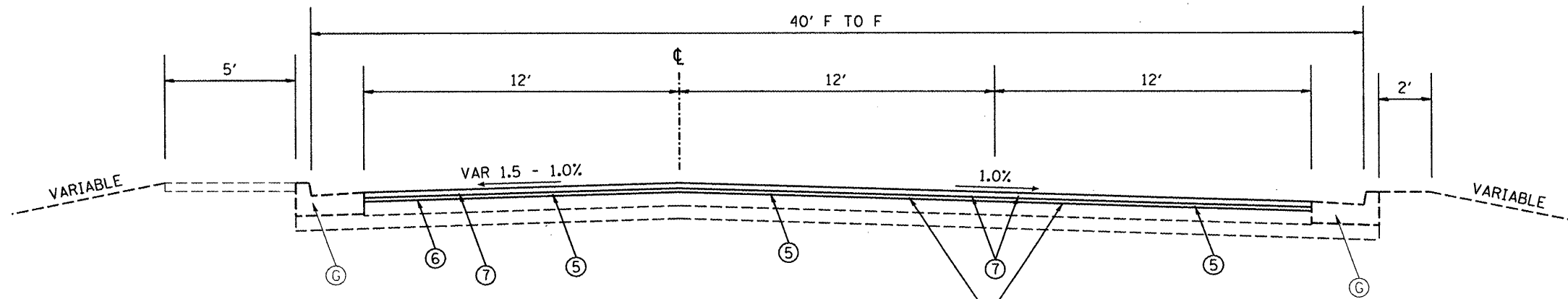
F.A.P. RTE.	SECTION	COUNTY	TOTAL SHEETS	SHEET NO.
693	*	TAZEWELL	82	14
STA.	TO STA.			
FED. ROAD DIST. NO.	ILLINOIS	FED. AID PROJECT		
*13R-1(9)TS(12B)I,1-1				



SECOND STREET
STA. 12+45.28 TO STA. 14+05.60

LEGEND - PROPOSED

- ① PCC PAVEMENT 10" (JOINTED)
- ② HMA BINDER COURSE, IL-19.0, N50 6"
- ③ COMBINATION CONC. CURB & GUTTER, TYPE B-6.24
- ④ PCC SIDEWALK 4"
- ⑤ HMA SURFACE REMOVAL 2"
- ⑥ HMA LEVELING BINDER 3/4"
- ⑦ HMA SURFACE COURSE 1 1/2"



SECOND STREET
STA. 14+05.60 TO STA. 14+92.5

LEGEND - EXISTING

- Ⓐ 10" PCC PAVEMENT
- Ⓑ 6" STABILIZED SUB-BASE
- Ⓒ CCC & G, TYPE B-6.24
- Ⓓ 4" PCC SIDEWALK
- Ⓔ KEY JOINT
- Ⓕ BITUMINOUS OVERLAY
- Ⓖ CCC&G, TYPE B-6.12

PLOT DATE = 3/29/2006
 FILE NAME = S:\GARDNER\13102\PLANS\SDUP\MS\SDUP-HEA\active\Contract\68608\14_9 Plots - plan\01.dgn
 USER NAME = brouder

REVISIONS	
NAME	DATE

ILLINOIS DEPARTMENT OF TRANSPORTATION

PROPOSED TYPICAL SECTIONS
IL-29 / SECOND ST

SCALE: VERT. _____
HORIZ. _____

DATE _____ DRAWN BY _____
CHECKED BY _____