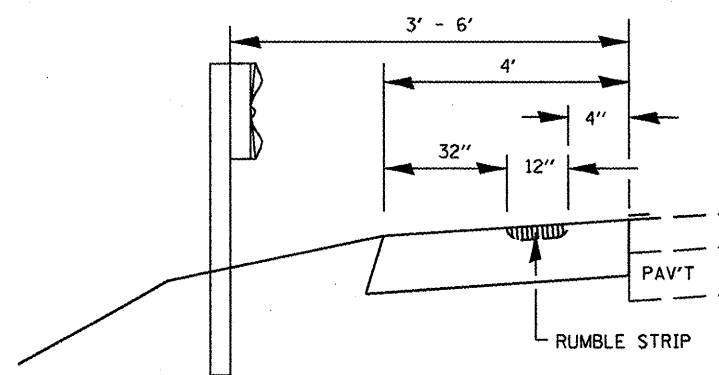
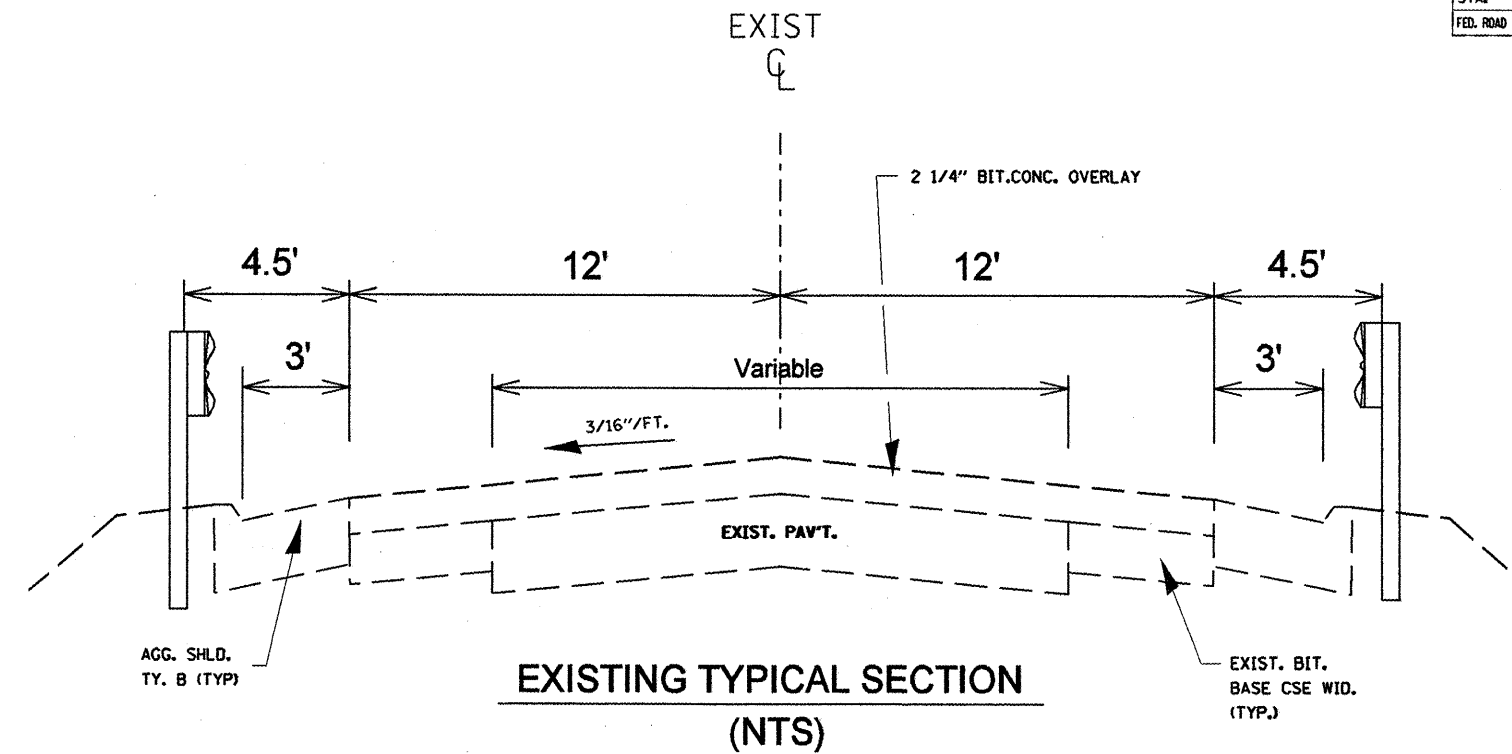
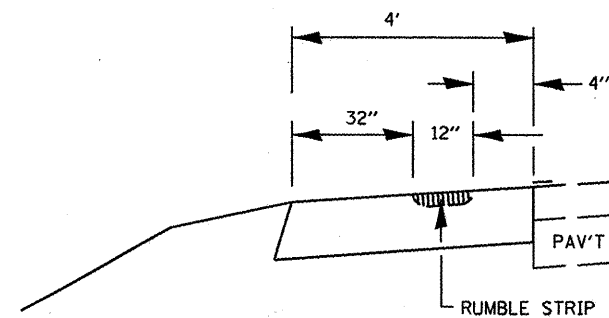


F.A.P. RTE.	SECTION	COUNTY	TOTAL SHEETS	SHEET NO.
653	1051-1	PUTNAM	24	8
STA.		TO STA.		
FED. ROAD DIST. NO.		ILLINOIS FED. AID PROJECT		

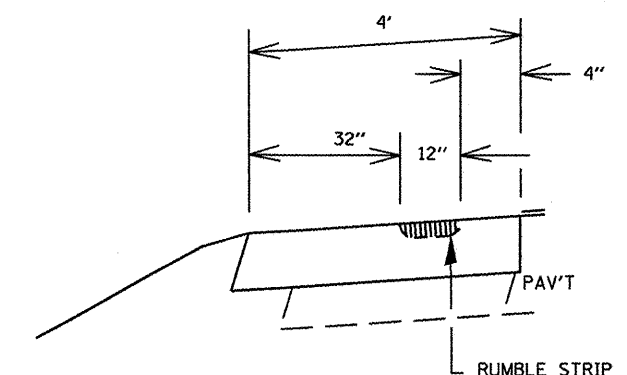
LT	124+63	124+78	guardrail/erosion control curb
LT	124+78	125+06	Bridge Ommision SN 078-0033
LT	125+06	133+02	guardrail/erosion control curb
RT	124+78	125+06	Bridge Ommision SN 078-0033
RT	125+06	135+24	guardrail/erosion control curb



**SHOULDER DETAIL 3 (NTS)**



**SHOULDER DETAIL 2 (NTS)**



**SHOULDER DETAIL 1 (NTS)**

DATE = 3/19/2008  
 FILE NAME = S:\GEN\DR\FT\STOMP\AS\SHOULDR\68768\68768.dgn  
 PLOT SCALE = 1/8" = 1' IN.  
 USER NAME = boyeru

REVISIONS	
NAME	DATE

ILLINOIS DEPARTMENT OF TRANSPORTATION

**TYPICAL SECTION 5 & SHOULDER DETAILS**

SCALE: VERT. DATE  
HORIZ.

DRAWN BY  
CHECKED BY