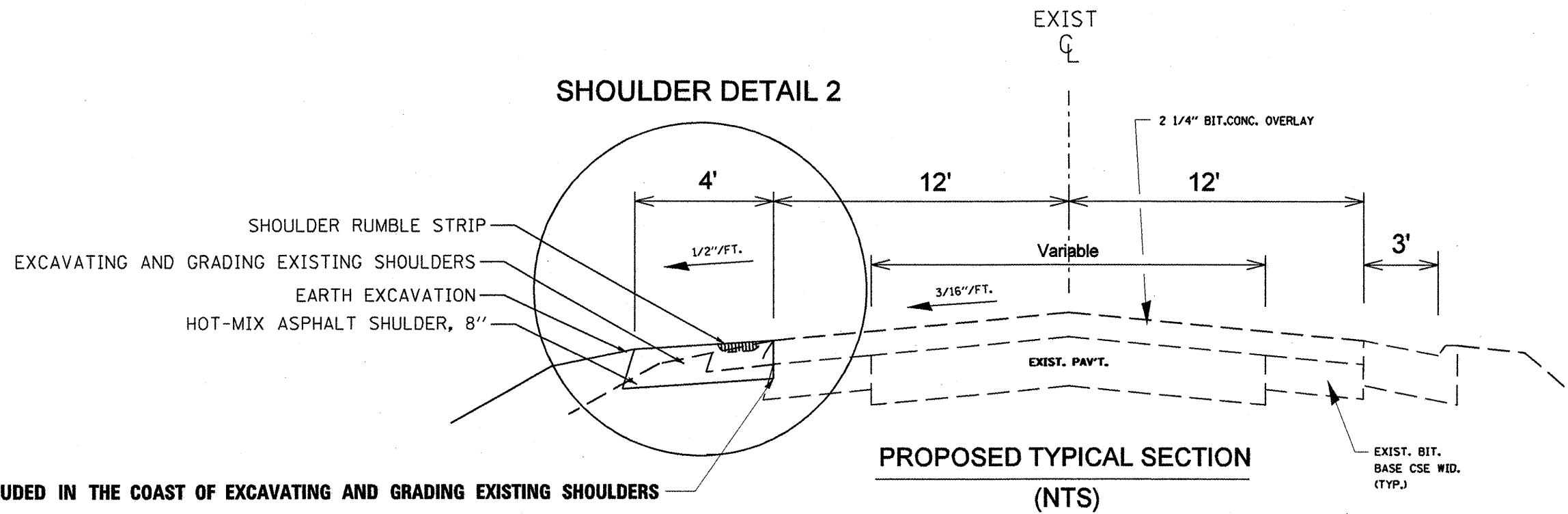
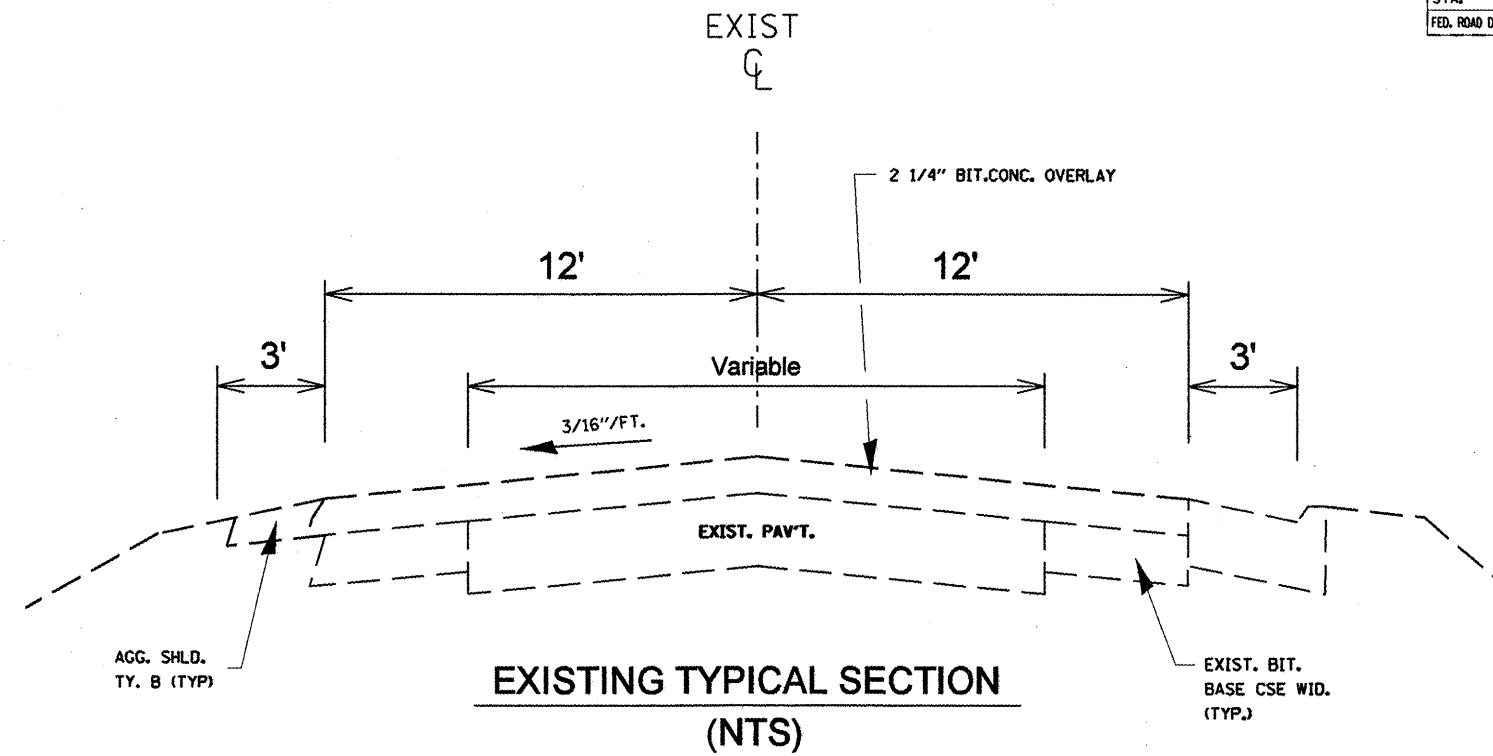


F.A.P. RTE.	SECTION	COUNTY	TOTAL SHEETS	SHEET NO.
653	105I-1	PUTNAM	24	9
STA.		TO STA.		
FED. ROAD DIST. NO.		ILLINOIS FED. AID PROJECT		



SAW CUT COST SHALL BE INCLUDED IN THE COAST OF EXCAVATING AND GRADING EXISTING SHOULDERS

RT	135+24	140+52	erosion control curb
----	--------	--------	----------------------

REVISIONS	
NAME	DATE

ILLINOIS DEPARTMENT OF TRANSPORTATION

TYPICAL SECTION 6

SCALE: VERT. / HORIZ. / DATE

DRAWN BY / CHECKED BY

PLOT DATE = 3/19/2008
 PLOT SCALE = 1/8" = 10'-0"
 USER NAME = boymeyr