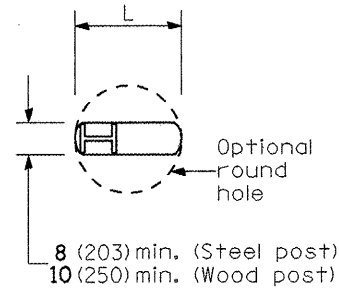
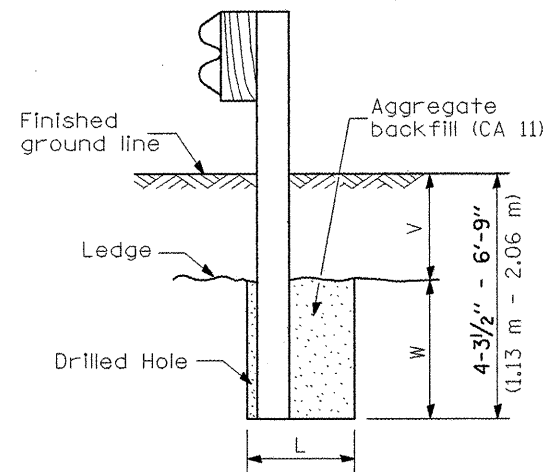


|                     |          |                  |              |           |
|---------------------|----------|------------------|--------------|-----------|
| P.A. RTE.           | SECTION  | COUNTY           | TOTAL SHEETS | SHEET NO. |
| 653                 | 1051-1   | PUTNAM           | 24           | 19        |
| STA.                |          | TO STA.          |              |           |
| FED. ROAD DIST. NO. | ILLINOIS | FED. AID PROJECT |              |           |



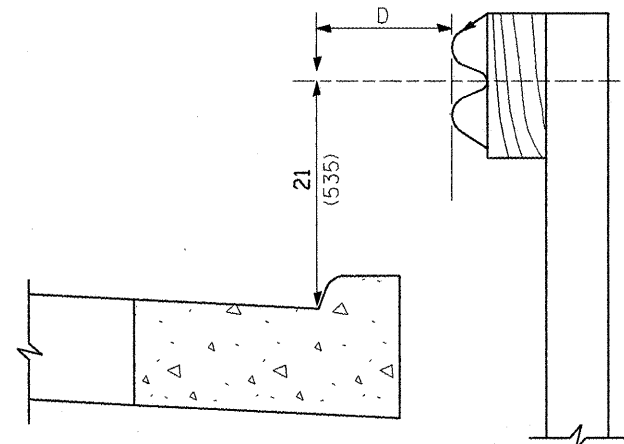
PLAN



Note:  
Ledge line is top of rock ledge or hard slag fill.

ELEVATION

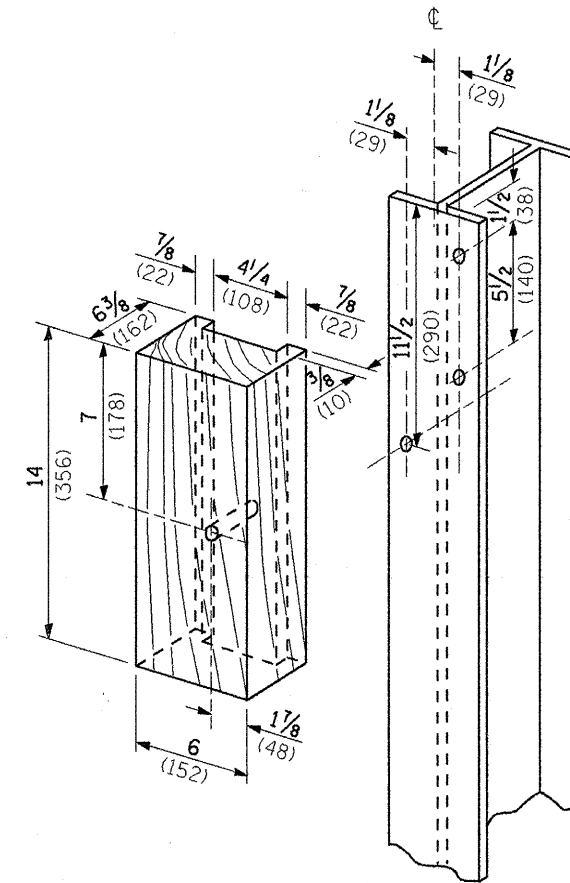
**FOOTING FOR POST WHEN IMPERVIOUS MATERIAL IS ENCOUNTERED**



Note:  
If it is necessary for D to be more than 12 (300) and less than 10'-0" (3.0 m) type M-2 (M-5) curb and gutter (Std. 606001) shall be used in front of and in advance of the guardrail.

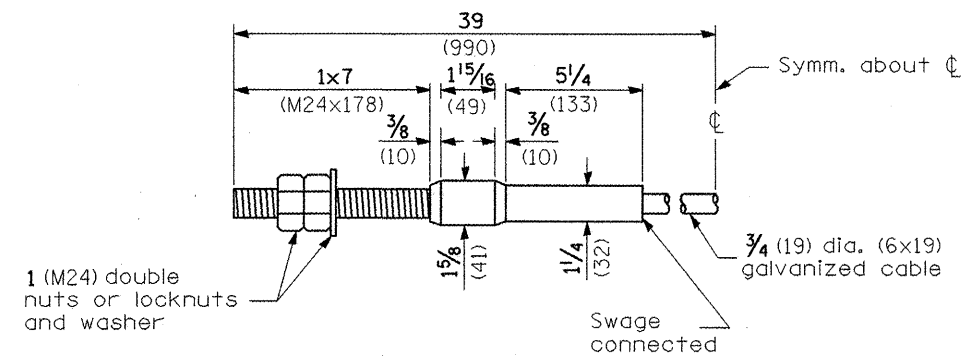
**GUARDRAIL PLACED BEHIND CURB**

(D = 0 desirable to 12 (300) maximum)



**WOOD BLOCK-OUT AND STEEL POST DETAILS**

| V                               | W                   | L           |             |
|---------------------------------|---------------------|-------------|-------------|
|                                 |                     | Steel Post  | Wood Post   |
| 0 - 18<br>(0 - 460)             | 24<br>(610)         | 21<br>(530) | 23<br>(580) |
| >18 - 41.5<br>(>460 - 825)      | 12<br>(305)         | 8<br>(203)  | 10<br>(250) |
| >41.5 - 53.5<br>(>825 - 1.13 m) | 12 - 0<br>(305 - 0) | 8<br>(203)  | 10<br>(250) |



**CABLE ASSEMBLY**

(18,100 kg (40,000 lbs.) min. breaking strength)  
Tighten to taut tension.

All dimensions are in inches (millimeters) unless otherwise noted.

ILLINOIS DEPARTMENT OF TRANSPORTATION  
DISTRICT CADD STANDARD

REMOVE AND REERECT  
STEEL PLATE BEAM GUARDRAIL

CADD STD. 630011-D4(4) SHEET 4 OF 4  
SCALE: NOT DRAWN TO SCALE DRAWN BY: CADD  
DATE: \*\*DATE\*\* CHECKED BY: