

STATE OF ILLINOIS
DEPARTMENT OF TRANSPORTATION

| | | | | | |
|-----------------------|---------|----------|--------|------------------|-------------|
| ROUTE NO. | SECTION | COUNTY | SHEETS | SHEET | SHEET NO. 1 |
| FAP 619 | # | PUTNAM | 18 | 9 | 6 SHEETS |
| FED. ROAD DIST. NO. 7 | | ILLINOIS | | FED. AID PROJECT | |

Contract Number: 68783
* (120-BR)-1 & (11-B)

GENERAL NOTES

The contractor is advised that the existing PPC deck beams are in a deteriorated condition with reduced load carrying capacity. It is the contractor's responsibility to account for the condition of the beams when developing construction procedures.

If the contractor's procedure for existing beam removal or placement of new beams involves placement of cranes or other heavy equipment on the bridge, a detailed procedure shall be submitted to the Engineer for approval. The procedure shall include calculations, prepared and sealed by an Illinois Licensed Structural Engineer, verifying that the equipment and procedure used will not overstress the new or existing beams. To distribute load to multiple beams and protect the existing surface, in all cases a double layer mat of heavy timbers shall be used at all times under crane tracks or wheels and any outriggers in the down position. If necessary, shims shall be used under the crane mat to ensure uniform contact with the underlying beams. If heavy equipment will be placed on new PPC deck beams, the following shall be done prior to placement of the timber mats: placement and tightening of transverse tie assemblies, grouting and curing the dowel rods 24 hours minimum and grouting and curing the shear keys.

The top surface of the beams shall be finished according to the IDOT Manual for Fabrication of Precast Prestressed Concrete Products.

Plan dimensions and details relative to existing plans are subject to routine variations. The Contractor shall field verify existing dimensions and details affecting new construction and make necessary approved adjustments prior to construction or ordering of materials. Such variations shall not be cause for additional compensation for a change in scope of the work, however, the Contractor will be paid for the quantity actually furnished based upon the unit price bid for the work.

Reinforcement bars shall conform to the requirements of ASTM A 706 Gr 60 (IL Modified). See Special Provisions.

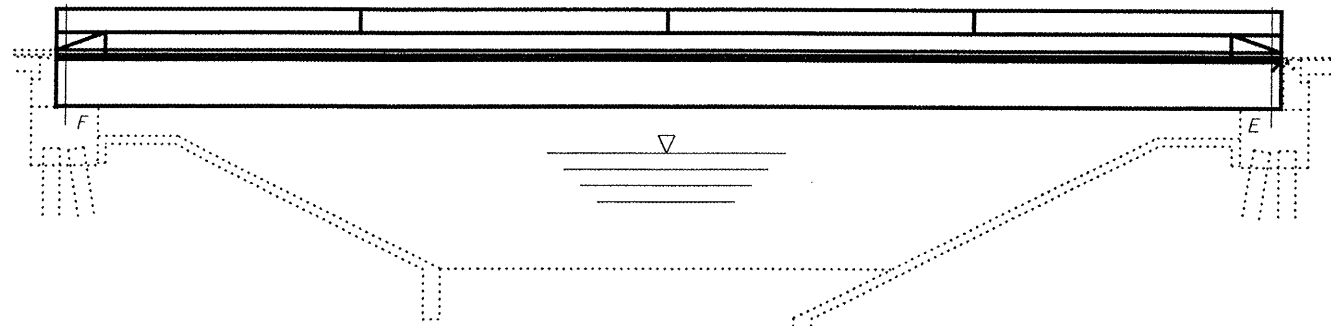
Reinforcement bars designated (E) shall be epoxy coated.

Temporary concrete barrier shall only be anchored into the overlay and not into the PPC deck beams.

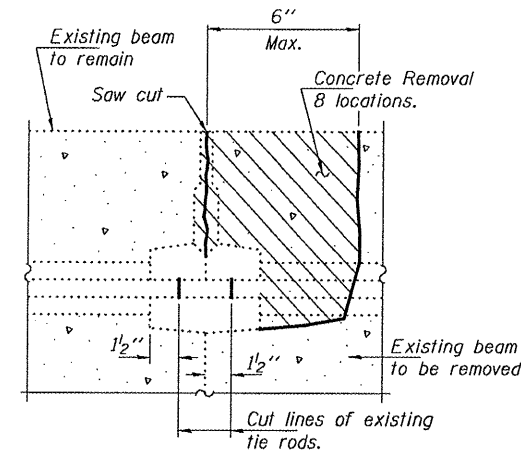
All structural steel shall conform to AASHTO Classification M-270 Gr. 36, unless otherwise noted.

Any damage done to the bridge during beam removal shall be repaired by the contractor. Cost to be included in the cost of Removal of Existing PPC Deck Beams. All structural steel shall be shop painted with the inorganic zinc rich primer per AASHTO M300, Type 1. Cost included with Precast Prestressed Concrete Deck Beams (33" Depth)

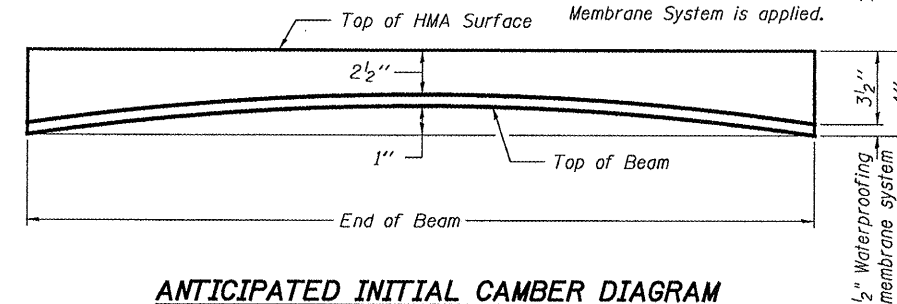
Protective coat shall not be applied to surfaces to which Waterproofing Membrane System is applied.



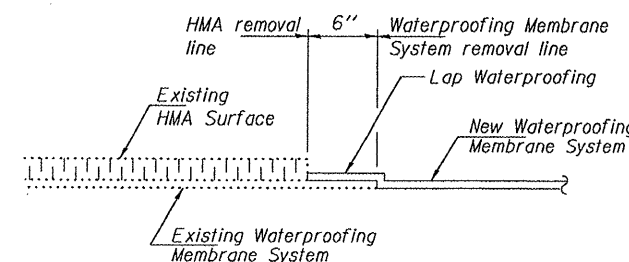
ELEVATION



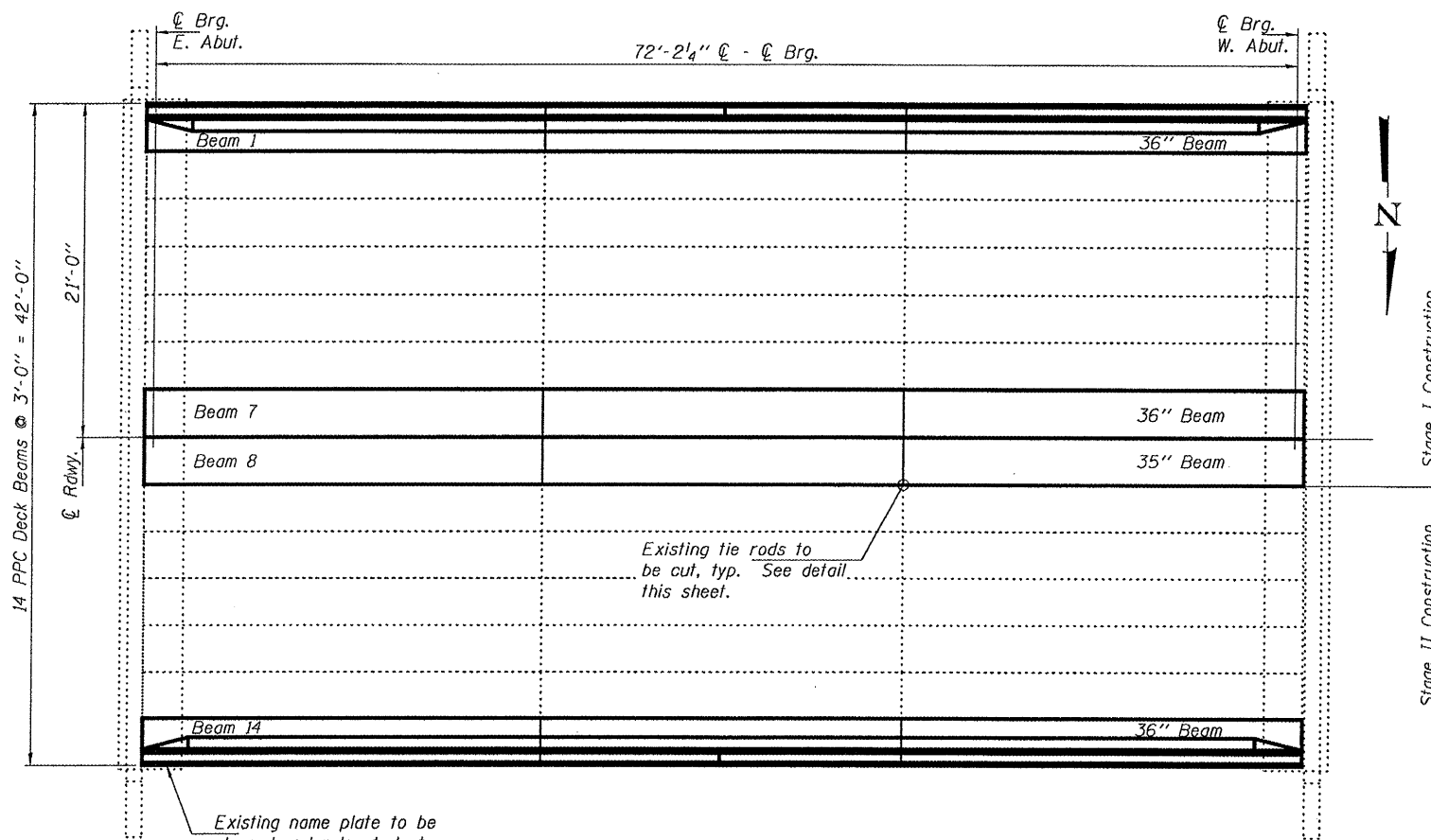
BEAM REMOVAL DETAIL AT TRANSVERSE TIES



ANTICIPATED INITIAL CAMBER DIAGRAM

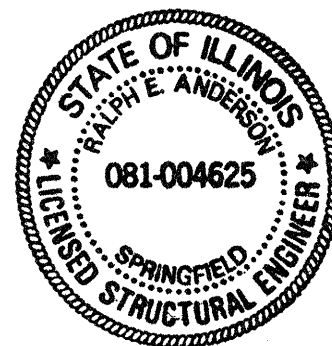


WATERPROOFING TREATMENT



PLAN

Existing name plate to be cleaned and relocated at outside face of parapet. Cost included with Concrete Removal.



DESIGN STRESSES

FIELD UNITS
 $f'_c = 3,500$ psi
 $f_y = 60,000$ psi (Reinforcement)

PRECAST PRESTRESSED UNITS

$f'_c = 6,000$ psi
 $f'_{ci} = 5,000$ psi
 $f'_s = 270,000$ psi ($\frac{1}{2}$ " ϕ low lax strands)
 $f'_{si} = 201,960$ psi ($\frac{1}{2}$ " ϕ low lax strands)

TOTAL BILL OF MATERIAL

| ITEM | UNIT | QUANTITY |
|---|---------|----------|
| Removal of Existing PPC Deck Beams | Sq. Ft. | 880 |
| Precast Prestressed Concrete Deck Beams (33" Depth) | Sq. Ft. | 874 |
| HMA Surface Removal | Sq. Yd. | 17.2 |
| HMA Surface Course Mix "D" N50 | Tons | 16.9 |
| PC Mortar Fairing Course | Foot | 367 |
| Asbestos Bearing Pad Removal | Each | 4 |
| Waterproofing Membrane System | Sq. Yd. | 86.8 |
| Concrete Removal | Cu. Yd. | 18.7 |
| Concrete Superstructure | Cu. Yd. | 18.7 |
| Reinforcement Bars, Epoxy Coated | Pound | 2540 |
| Protective Coat | Sq. Yd. | 63.8 |

PLAN AND ELEVATION
FAP 619 OVER COFFEE CREEK
PUTNAM COUNTY
SN 078-0032

| | | | |
|----------|----------------|----------|-------------------|
| DESIGNED | Adrian T. Hall | EXAMINED | Carl Hansen |
| CHECKED | [Signature] | PASSED | Ralph E. Anderson |
| DRAWN | Steffen | | |
| CHECKED | AH | | APD |

MAY 12, 2008

Expires: November 30, 2008