

STATE OF ILLINOIS
DEPARTMENT OF TRANSPORTATION

ROUTE NO.	SECTION	COUNTY	TOTAL SHEETS	SHEET NO.
FAP 619	*	PUTNAM	18	10
FED. ROAD DIST. NO. 7	ILLINOIS	FED. AID PROJECT		

SHEET NO. 2

6 SHEETS

Contract Number: 68783
*(120-BR)I-1 & (11-B)I

BAR LIST
ONE 35" BEAM ONLY
(For information only)

Bar	No.	Size	Length	Shape
A(E)	66	#4	2'-6"	—
B(E)	12	#5	25'-10"	—
B ₁ (E)	9	#4	25'-6"	—
B ₂ (E)	4	#5	14'-9"	—
S(E)	102	#4	7'-4"	U
S ₁ (E)	12	#4	6'-2"	U
S ₂ (E)	90	#4	6'-5"	U
U(E)	8	#6	5'-0"	C
U ₁ (E)	6	#4	5'-0"	C

Bars indicated thus 4 x 3-#5 etc. indicates 4 line of bars with 3 lengths per line.

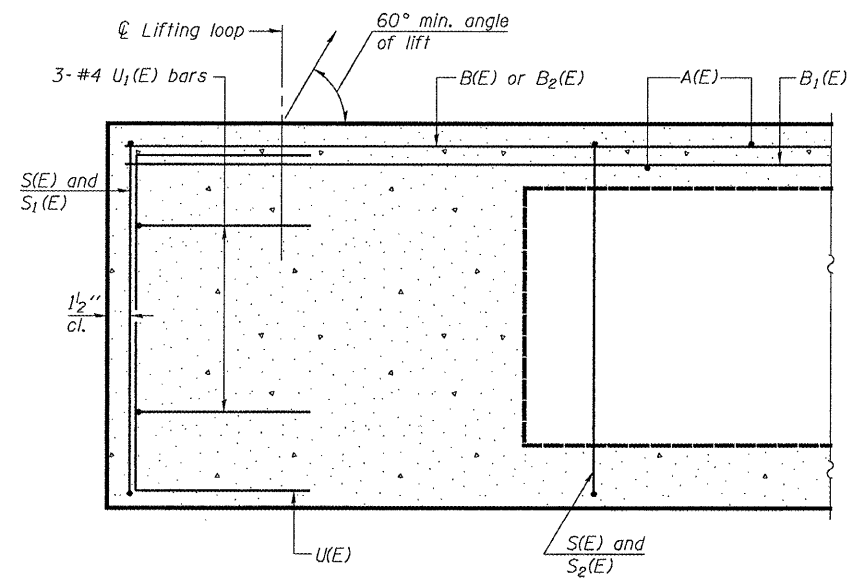
Note: See sheet 3 of 6 for additional details and Bill of Material.

BAR LIST
ONE 36" BEAM ONLY
(For information only)

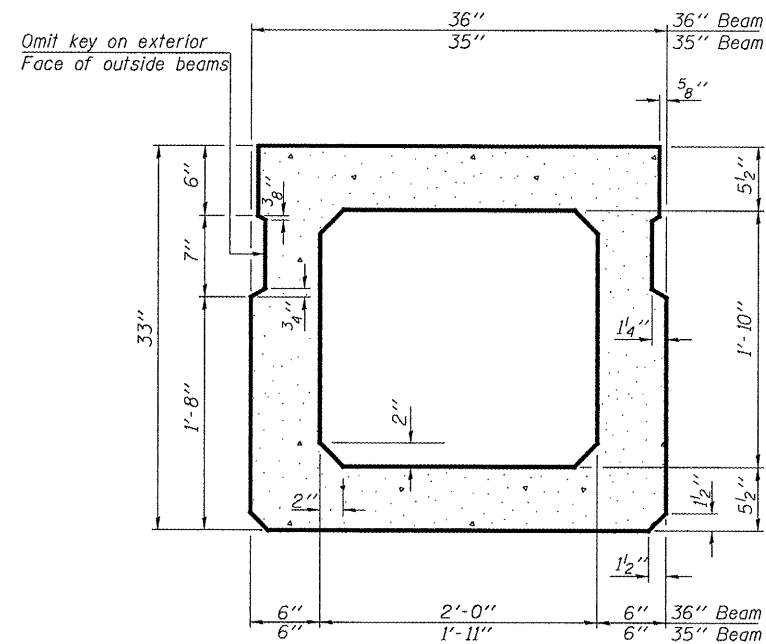
Bar	No.	Size	Length	Shape
A(E)	66	#4	2'-7"	—
B(E)	12	#5	25'-10"	—
B ₁ (E)	9	#4	25'-6"	—
B ₂ (E)	4	#5	14'-9"	—
*D(E)	68	#5	3'-1"	U
*D ₁ (E)	74	#5	4'-0"	U
*D ₂ (E)	6	#5	2'-10"	U
S(E)	102	#4	7'-5"	U
S ₁ (E)	12	#4	6'-3"	U
S ₂ (E)	90	#4	6'-6"	U
U(E)	8	#6	5'-0"	C
U ₁ (E)	6	#4	5'-0"	C

Bars indicated thus 4 x 3-#5 etc. indicates 4 line of bars with 3 lengths per line.

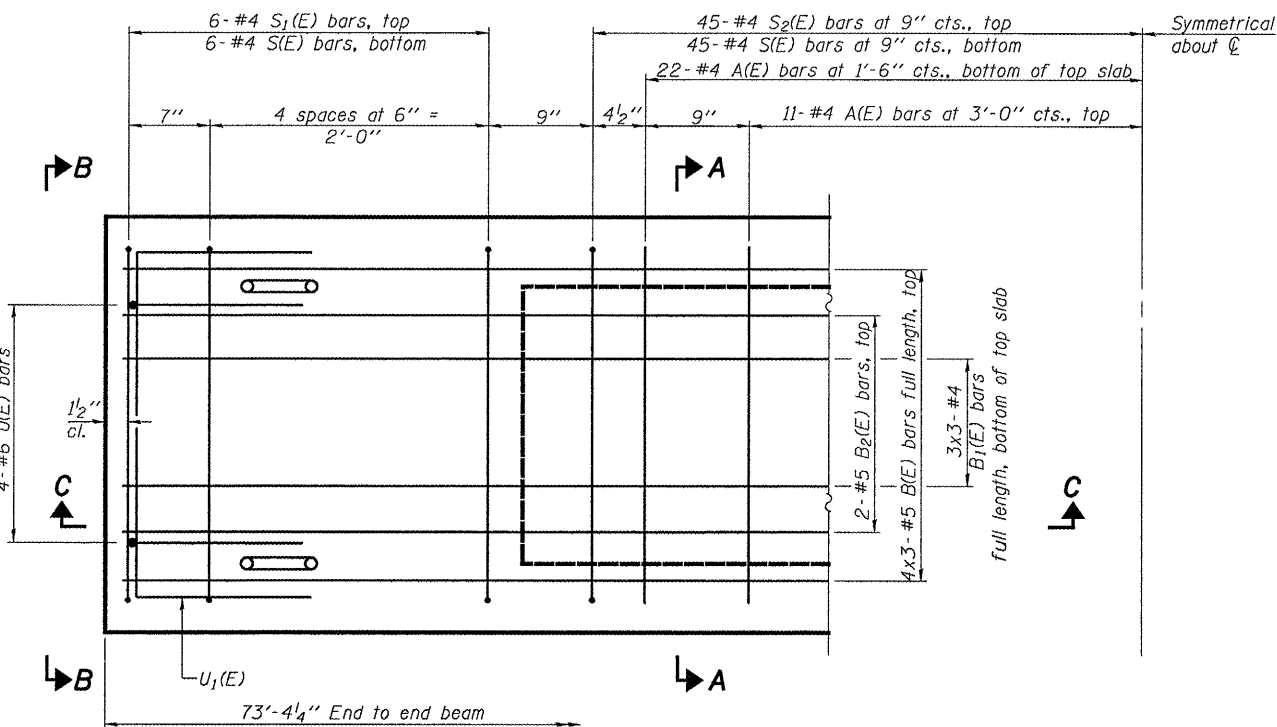
Note: See sheet 3 of 6 for additional details and Bill of Material.



SECTION C-C



SECTION A-A
(Showing dimensions)

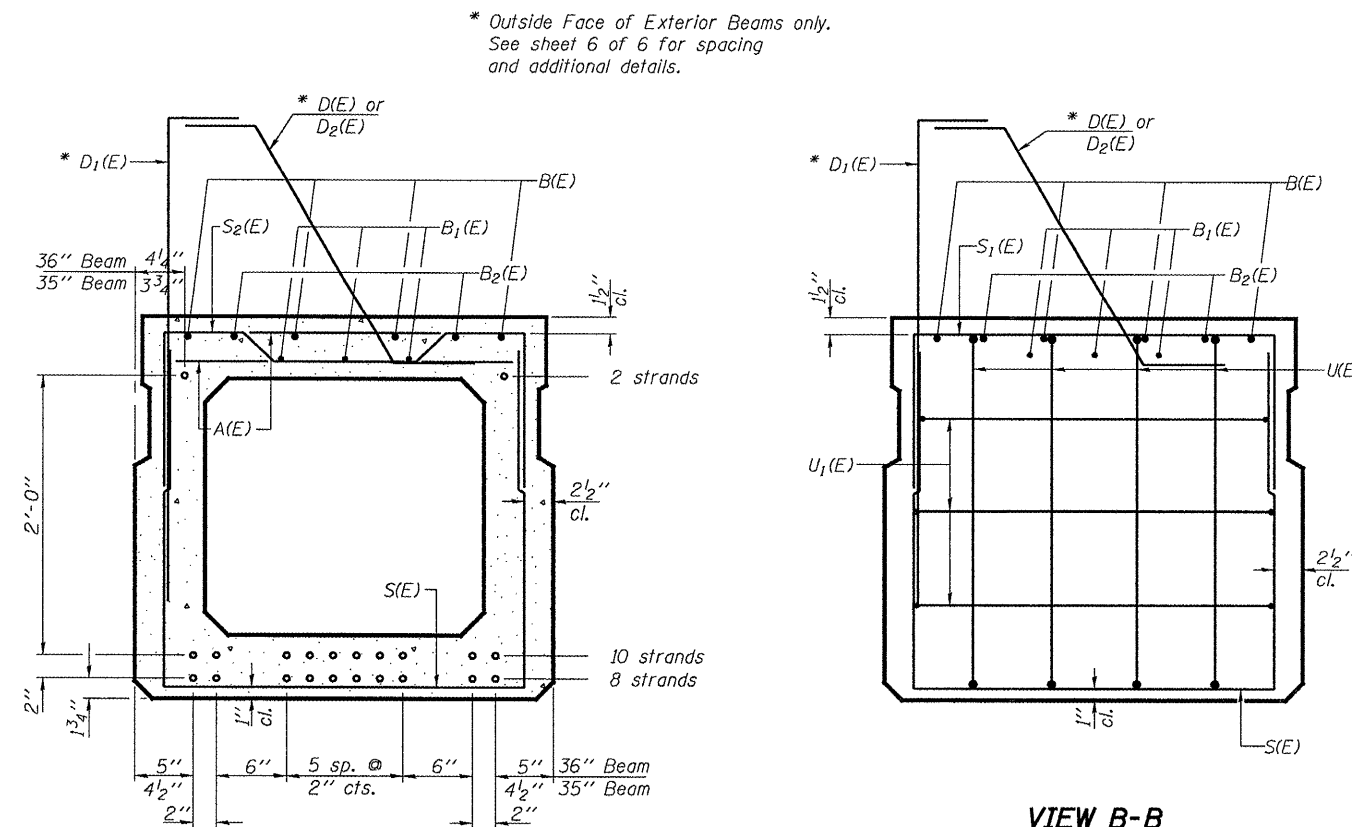


PLAN VIEW

Note: Spacing of S(E) and S₂(E) bars may be adjusted up to 4" in the immediate area of the transverse tie diaphragms to miss the block outs for the transverse ties.

DESIGNED	ATH
CHECKED	AJB
DRAWN	Steffen
CHECKED	ATH AJB

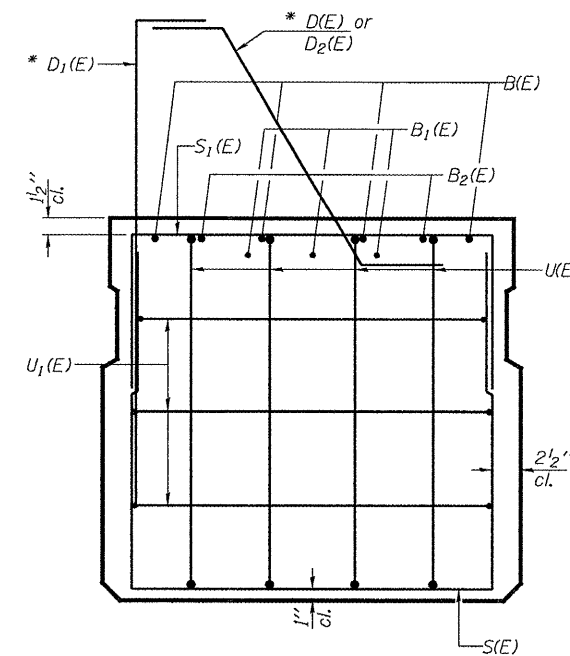
MAY 12, 2008
EXAMINED *Carl Proyer*
ENGINEER OF STRUCTURAL SERVICES
PASSED *Ralph E. Anderson*
ENGINEER OF BRIDGES AND STRUCTURES



SECTION A-A

(Showing reinforcement and permissible strand locations)

Note: Place the number of strands specified in each row symmetrically about the centerline of beam in the permissible strand locations shown.



VIEW B-B

REPAIR DETAILS
FAP 619 OVER COFFEE CREEK
PUTNAM COUNTY
SN 078-0032