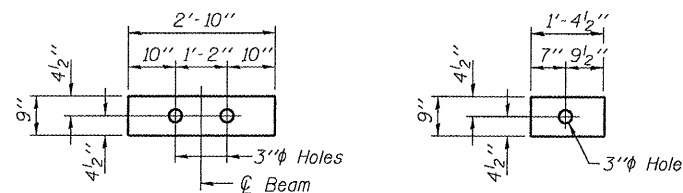


STATE OF ILLINOIS  
DEPARTMENT OF TRANSPORTATION

ROUTE NO.	SECTION	COUNTY	TOTAL SHEETS	SHEET NO.
FAP 619	*	PUTNAM	18	11
FED. ROAD DIST. NO. 7	ILLINOIS	FED. AID PROJECT-		

SHEET NO. 3  
6 SHEETS

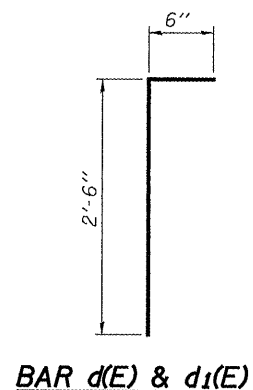
Contract Number: 68783  
\* (120-BR)1-1 & (11-B)1



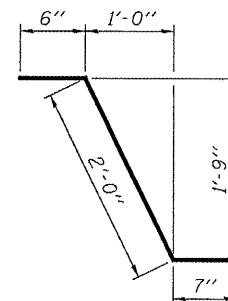
**FABRIC BEARING PAD FABRIC ADJUSTING SHIM**

**FIXED**

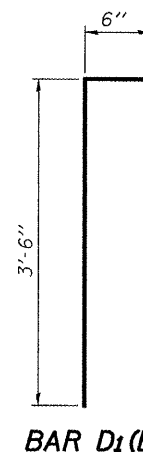
Note: Omit holes when using expansion bearings.



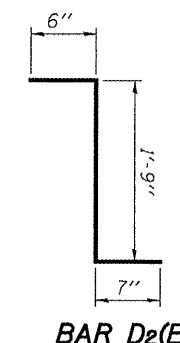
**BAR d(E) & d1(E)**



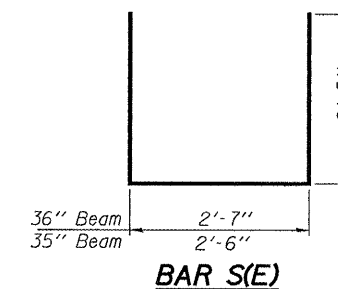
**BAR D(E)**



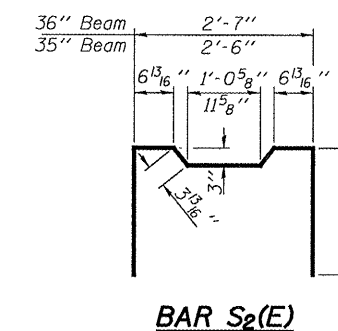
**BAR D1(E)**



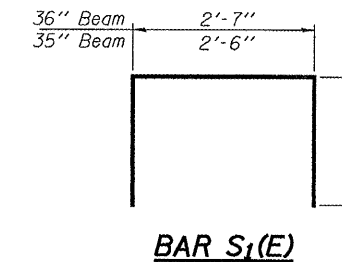
**BAR D2(E)**



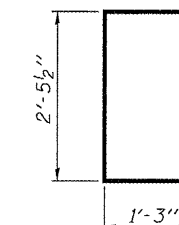
**BAR S(E)**



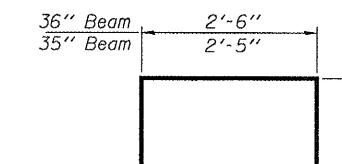
**BAR S2(E)**



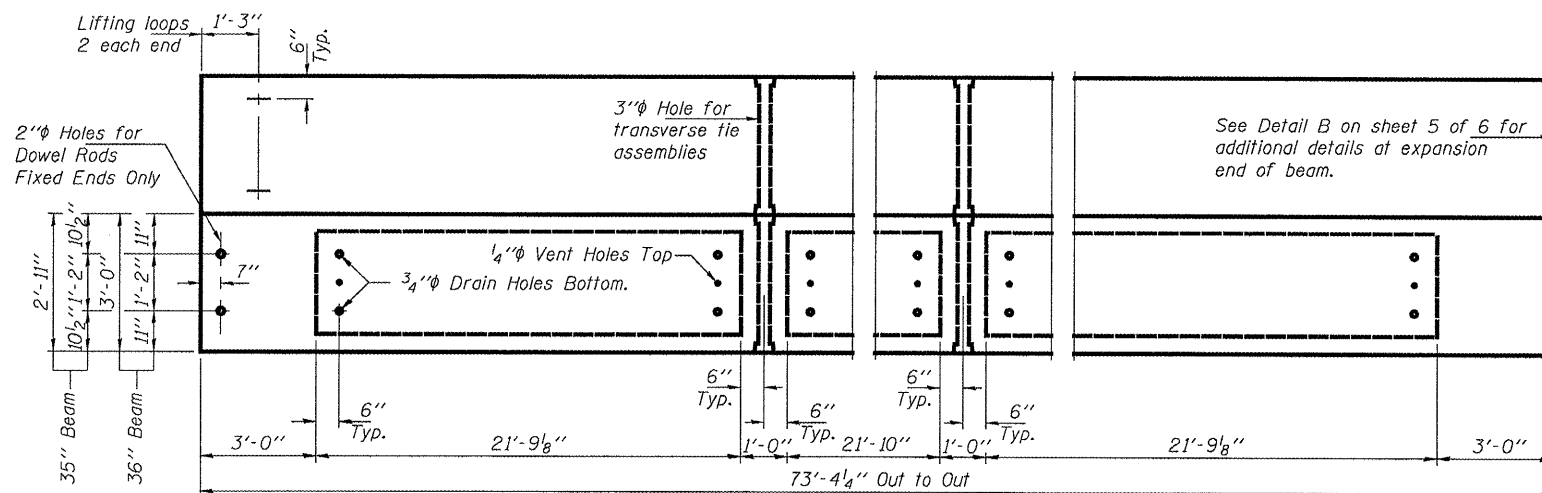
**BAR S1(E)**



**BAR U(E)**

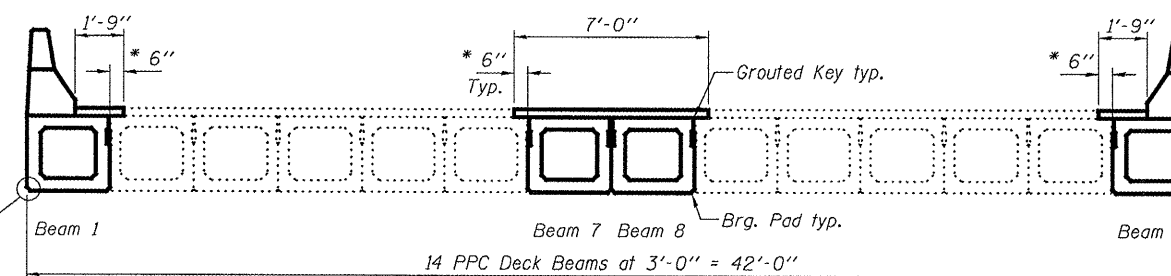


**BAR U1(E)**



**PLAN**

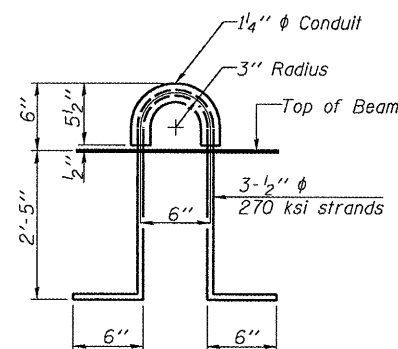
See sheet 6 of 6 for additional reinforcement bars cast in beams.



**CROSS SECTION**  
(Looking West)

Install Side Retainer at Expansion End. (Typ.)  
See Detail sheet 5 of 6.

\* Limits of HMA Surface Removal.  
Existing waterproofing to remain.  
Lap new waterproofing 6" over existing.



**LIFTING LOOP DETAIL**

**NOTES**

Prestressing steel shall be uncoated high strength, low relaxation 7-wire strand, Grade 270. The nominal diameter shall be 1/2" and the nominal cross-sectional area shall be 0.153 sq. in. The 1" rods in the transverse tie assembly shall be tightened to a snug fit and the threads set. Pockets on exterior faces of bridge shall be filled with grout after transverse tie assembly is in place. Reinforcement bars shall conform to ASTM A 706 (IL MOD), Grade 60. (See Special Provisions) Two 1/8" fabric adjusting shims of the dimensions of the exterior bearing pad shall be provided for each bearing pad location. A minimum 2 1/2" diameter lifting pin shall be used to engage the lifting loops during handling. Corrosion Inhibitor, per Article 1020.05(b)(12) and 1021.06 of the Standard Specifications, shall be used in the concrete for precast prestressed concrete deck beams. Compressive strength of prestressed concrete, f'c, shall be 6000 psi. Compressive strength of prestressed concrete at release, f'ci, shall be 5000 psi.

**BILL OF MATERIAL**

Item	Unit	Total
Precast Prestressed Conc. Deck Bms.	Sq. Ft.	874

**REPAIR DETAILS**  
**FAP 619 OVER COFFEE CREEK**  
**PUTNAM COUNTY**  
**SN 078-0032**

DESIGNED	ATH
CHECKED	AJB
DRAWN	Steffen
CHECKED	ATH AJB

MAY 12, 2008  
EXAMINED *A. Carl Perry*  
ENGINEER OF STRUCTURAL SERVICES  
PASSED *Ralph E. Anderson*  
ENGINEER OF BRIDGES AND STRUCTURES