

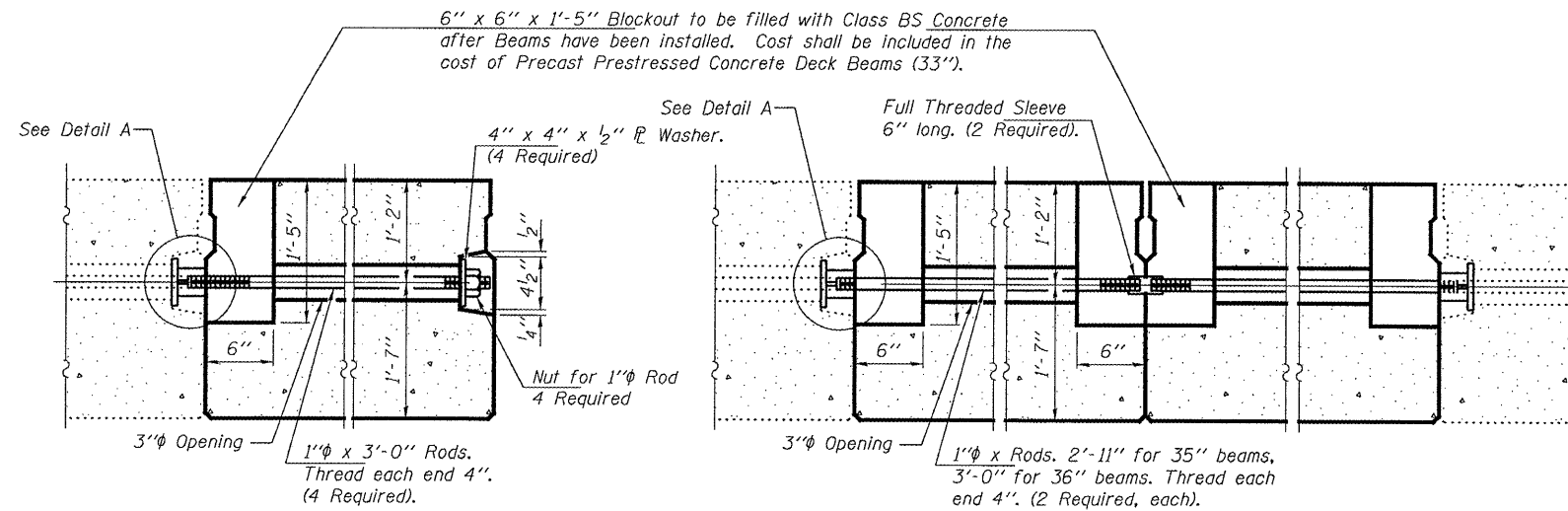
STATE OF ILLINOIS  
DEPARTMENT OF TRANSPORTATION

|                       |          |                  |              |           |
|-----------------------|----------|------------------|--------------|-----------|
| ROUTE NO.             | SECTION  | COUNTY           | TOTAL SHEETS | SHEET NO. |
| FAP 619               | *        | PUTNAM           | 18           | 12        |
| FED. ROAD DIST. NO. 7 | ILLINOIS | FED. AID PROJECT |              |           |

SHEET NO. 4

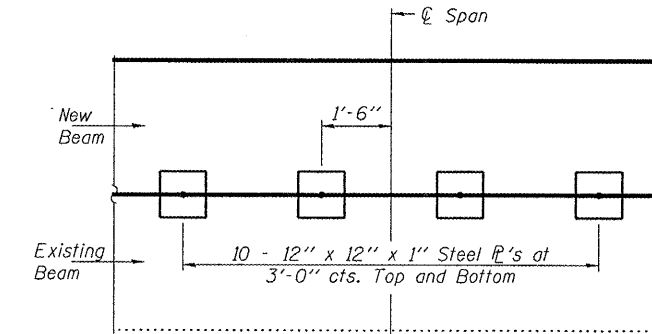
6 SHEETS

Contract Number: 68783  
\* (120-BR)I-1 & (11-B)I

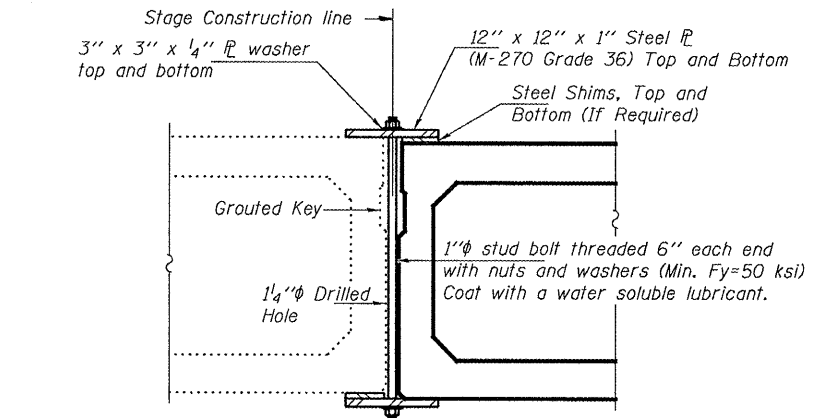


**TRANSVERSE TIE ASSEMBLY**  
(Typ. beams 1 & 14)

**TRANSVERSE TIE ASSEMBLY**  
(Typ. beams 7 & 8)

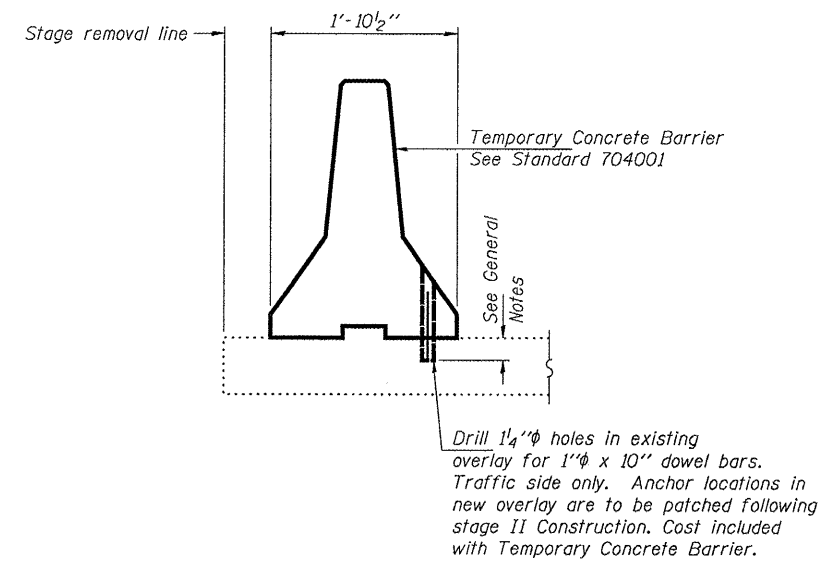


**PLAN**

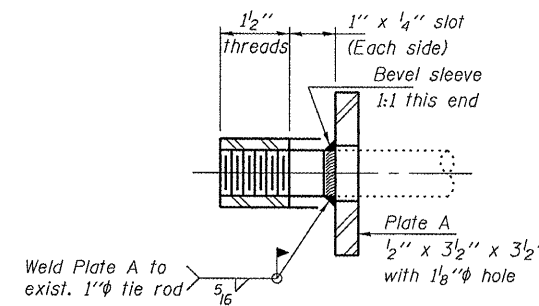


**SHEAR KEY CLAMPING DEVICE**

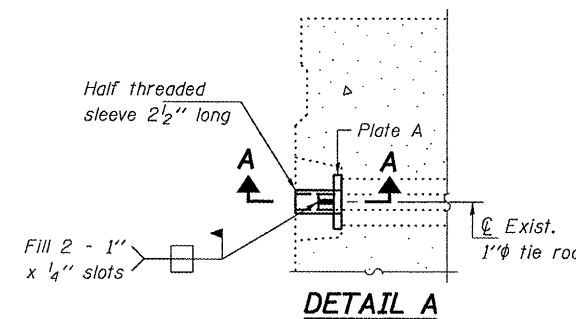
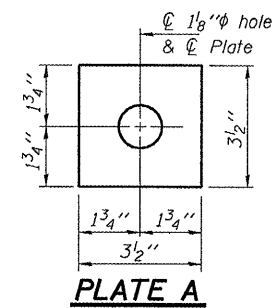
Notes:  
See Special Provisions for Stage Construction Precast Prestressed Concrete Deck Beams.  
See sheet 1 of 6 for Stage Construction.  
Cost is included with Precast Prestressed Concrete Deck Beams.



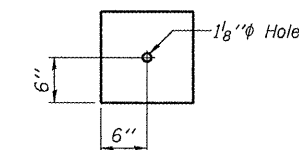
**TEMPORARY CONCRETE BARRIER**  
See Roadway Plans for Quantity



**SECTION A-A**  
(8 Required)



**DETAIL A**



**CLAMPING PLATE**

|          |         |
|----------|---------|
| DESIGNED | ATH     |
| CHECKED  | AJB     |
| DRAWN    | Steffen |
| CHECKED  | ATH AJB |

MAY 12, 2008

EXAMINED *Carl H. Hoyer*  
ENGINEER OF STRUCTURAL SERVICES

PASSED *Ralph E. Anderson*  
ENGINEER OF BRIDGES AND STRUCTURES

**REPAIR DETAILS**  
**FAP 619 OVER COFFEE CREEK**  
**PUTNAM COUNTY**  
**SN 078-0032**