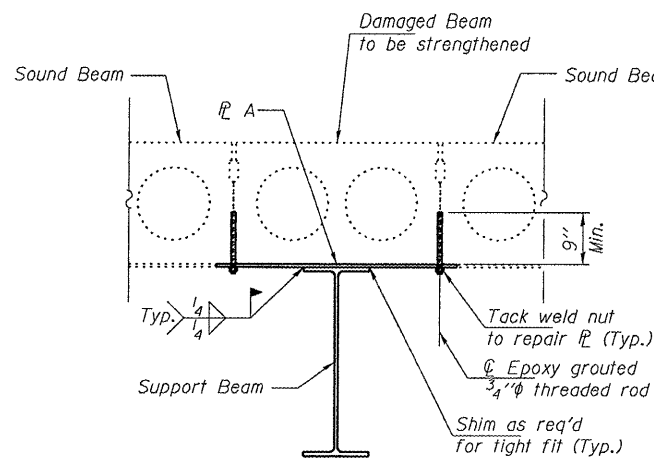


STATE OF ILLINOIS  
DEPARTMENT OF TRANSPORTATION

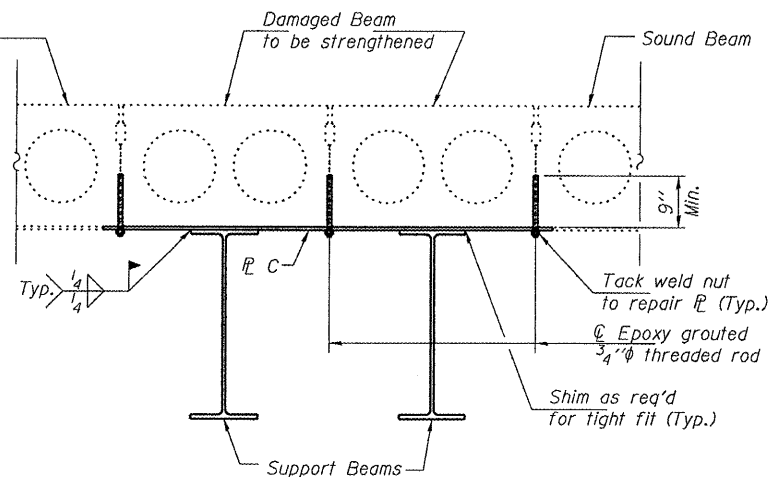
|                       |          |                  |           |       |
|-----------------------|----------|------------------|-----------|-------|
| ROUTE NO.             | SECTION  | COUNTY           | SHEET NO. | SHEET |
| FAP 643               |          | STARK            | 18        | 16    |
| FED. ROAD DIST. NO. 7 | ILLINOIS | FED. AID PROJECT |           |       |

SHEET NO. 2  
4 SHEETS

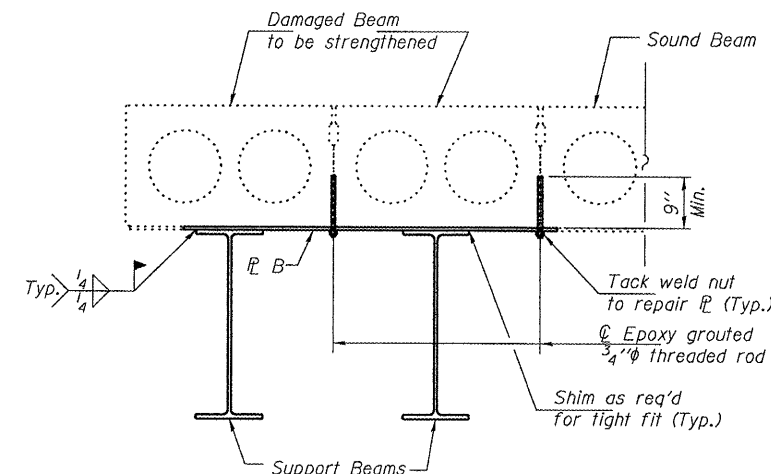
Contract Number: 68783



**SECTION A-A**

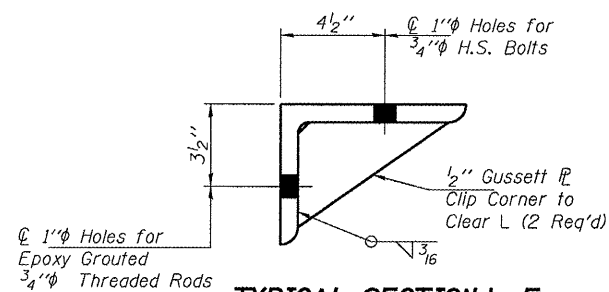


**SECTION B-B**

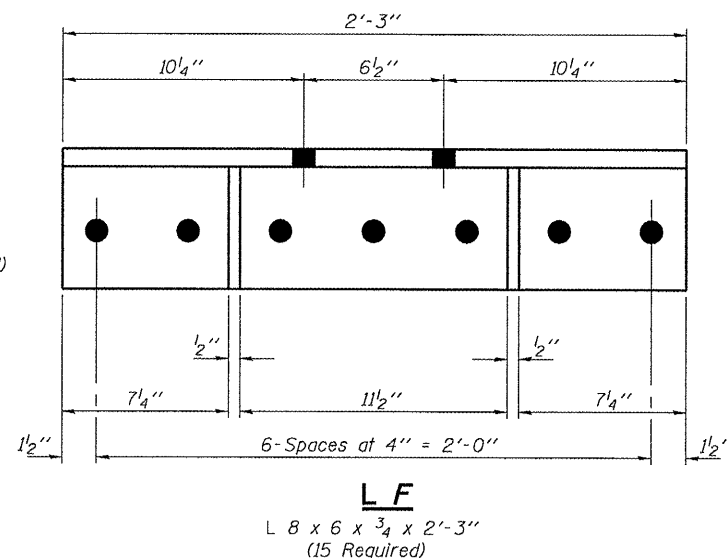


**SECTION C-C**

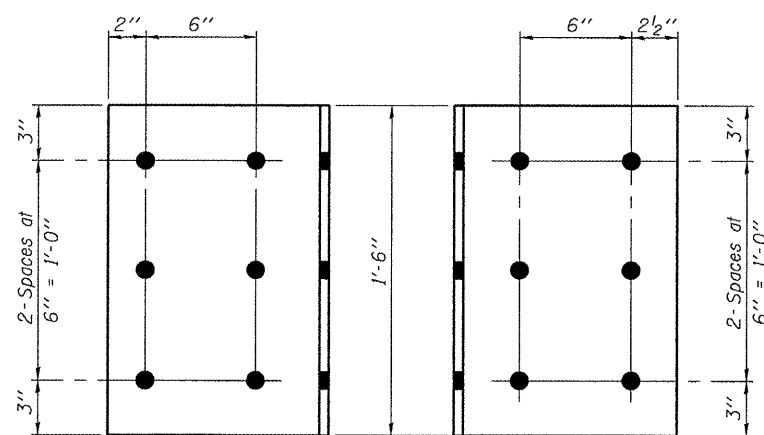
Note:  
See Sections D-D thru Q-Q on sheets  
2, 3, & 4 of 4 for Support Beam size  
and attachment method.



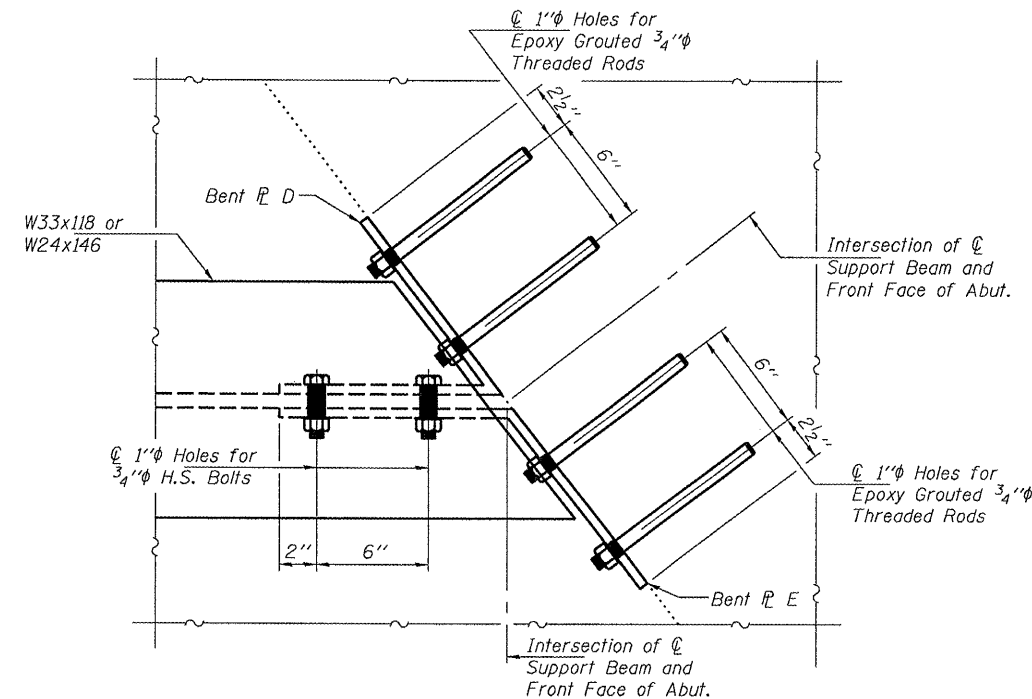
**TYPICAL SECTION L F**



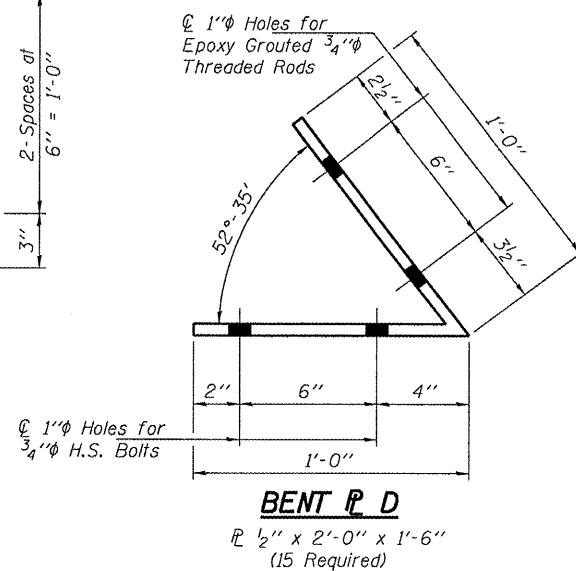
**L F**  
L 8 x 6 x 3/4 x 2'-3"  
(15 Required)



**TYPICAL BENT PLATE ELEVATION**

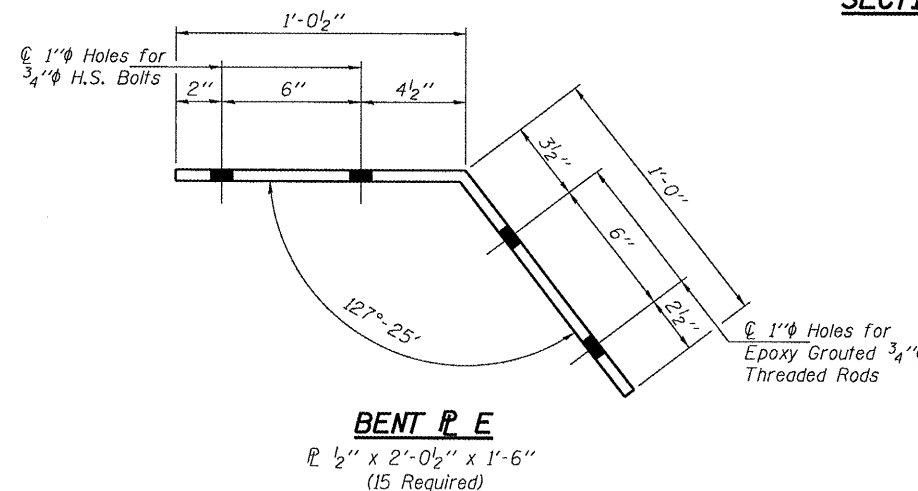


**SECTION Q-Q**



**BENT PL D**

PL 1/2" x 2'-0" x 1'-6"  
(15 Required)



**BENT PL E**

PL 1/2" x 2'-0 1/2" x 1'-6"  
(15 Required)

|          |         |
|----------|---------|
| DESIGNED | ATH     |
| CHECKED  | VHV     |
| DRAWN    | Steffen |
| CHECKED  | ATH VHV |

MAY 7, 2008  
EXAMINED *Carl Hoyer*  
ENGINEER OF STRUCTURAL SERVICES  
PASSED *Ralph E. Anderson*  
ENGINEER OF BRIDGES AND STRUCTURES

**REPAIR DETAILS**  
**FAP 643 OVER**  
**SPOON RIVER**  
**STARK COUNTY**  
**SN 088-002**