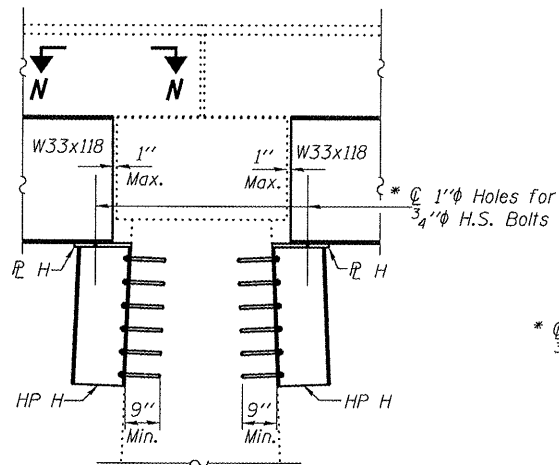


STATE OF ILLINOIS  
DEPARTMENT OF TRANSPORTATION

ROUTE NO.	SECTION	COUNTY	DATE	SHEET NO.
FAP 643		STARK	18, 18	4
FED. ROAD DIST. NO. 7	ILLINOIS	FED. AID PROJECT		

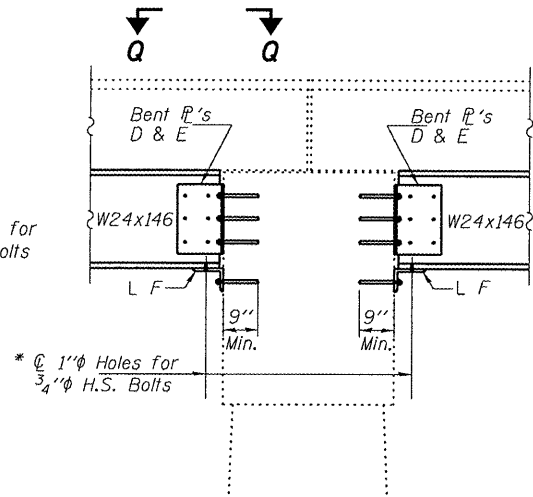
SHEET NO. 4  
4 SHEETS

Contract Number: 68783



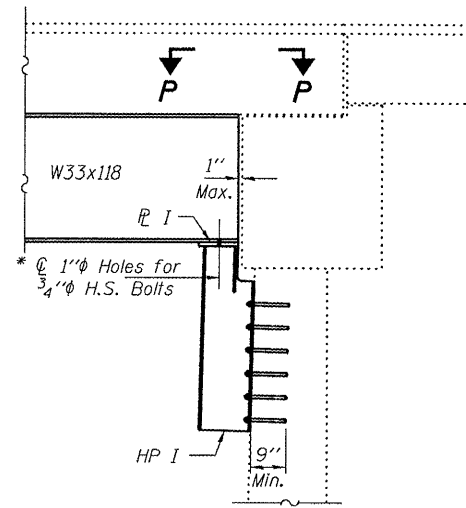
**SECTION H-H**

Typical Span 3 Beams 3 & 4  
and Span 4 Beams 4 & 5 at Pier 3



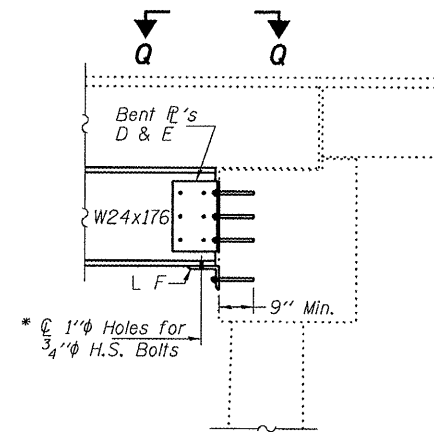
**SECTION I-I**

Typical Span 3 Beam 10 & 11 and  
Span 4 Beams 2 & 10 at Pier 3



**SECTION J-J**

Typical Span 4 Beams 4 & 5  
at West Abutment

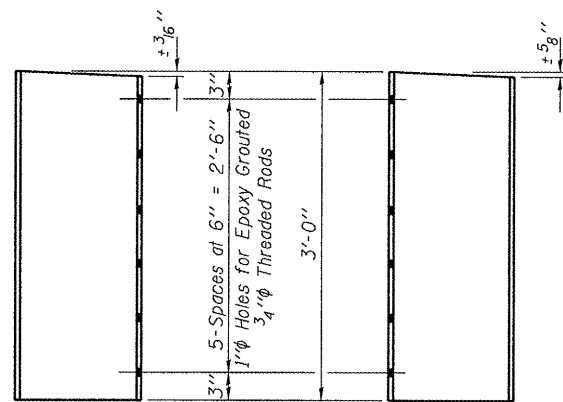


**SECTION K-K**

Typical Span 4 Beams 2 & 10  
at West Abutment

Note:  
See sheet 2 of 4 for Bent Plate details.

\* Use holes in brackets to  
field drill holes in beams.

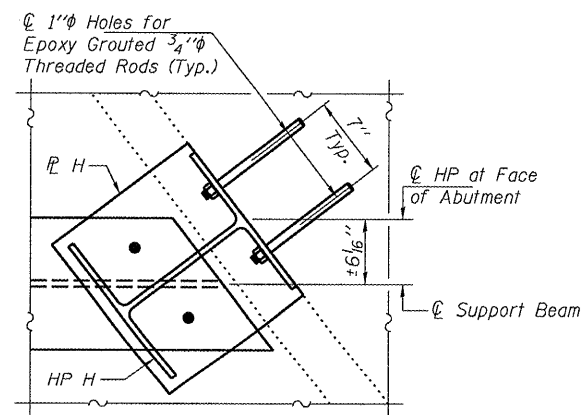


**SPAN 3**

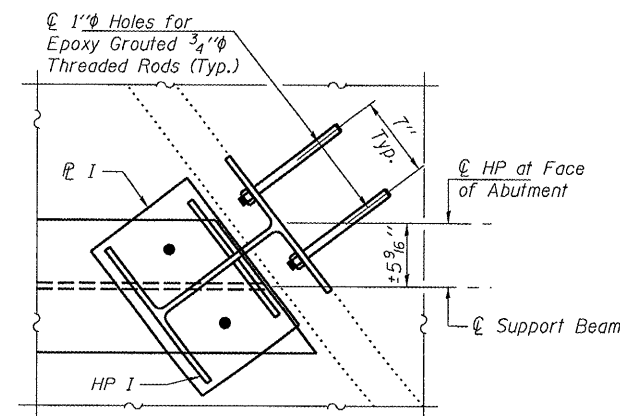
**SPAN 4**

**HP H**

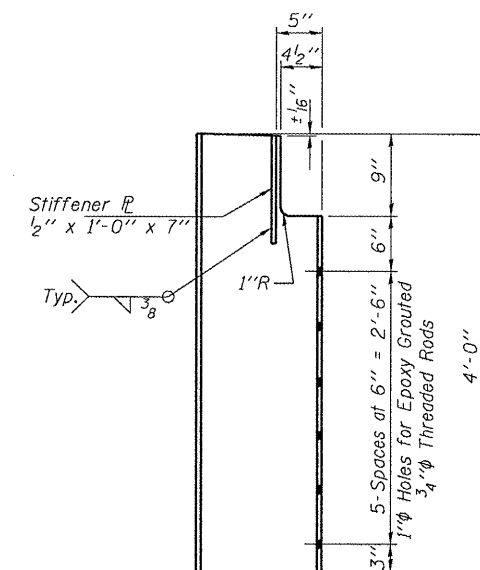
HP14x73 x 3'-0"  
(4 Required)  
2-Span 3 & 2-Span 4



**SECTION N-N**

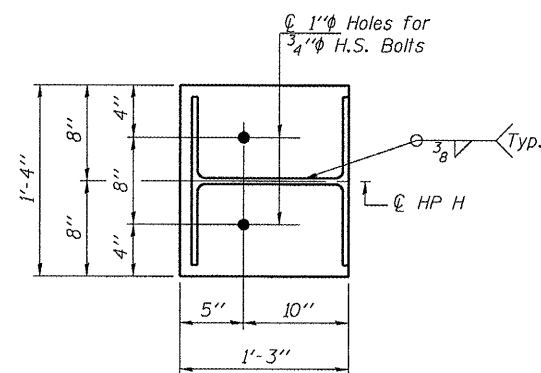


**SECTION P-P**



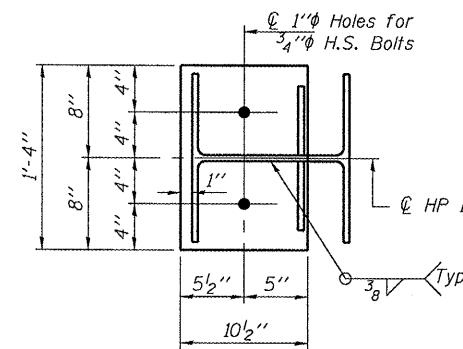
**HP I**

HP14x73 x 4'-0"  
(2 Required)



**RH**

1" x 1'-4" x 1'-3"  
(4 Required)



**RI**

1" x 1'-4" x 10 1/2"  
(2 Required)

DESIGNED	ATH
CHECKED	VHV
DRAWN	Steffen
CHECKED	ATH VHV

MAY 7, 2008  
EXAMINED *Carl Huxey*  
ENGINEER OF STRUCTURAL SERVICES  
PASSED *Ralph E. Anderson*  
ENGINEER OF BRIDGES AND STRUCTURES

**REPAIR DETAILS**  
**FAP 643 OVER**  
**SPOON RIVER**  
**STARK COUNTY**  
**SN 088-0002**