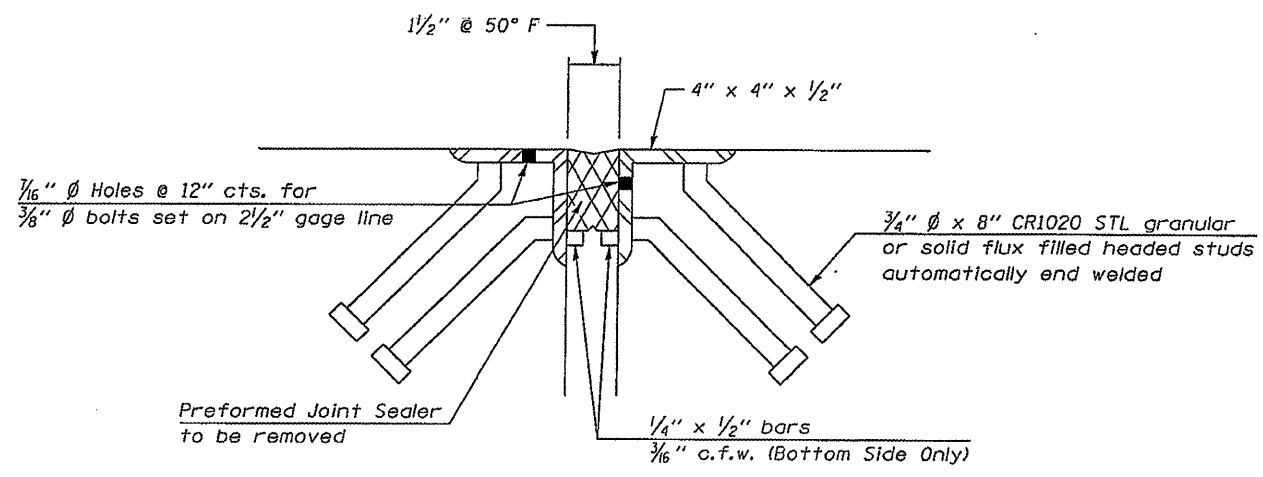
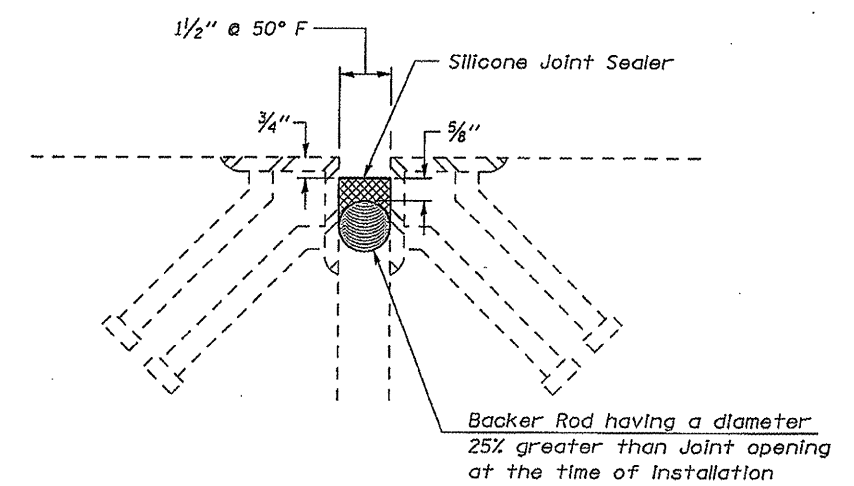


F.A.I. RTE.	SECTION	COUNTY	TOTAL SHEETS	SHEET NO.
74	(20-1)RS-2	DEWITT	97	54

### EXPANSION JOINT DETAILS



EXISTING JOINT



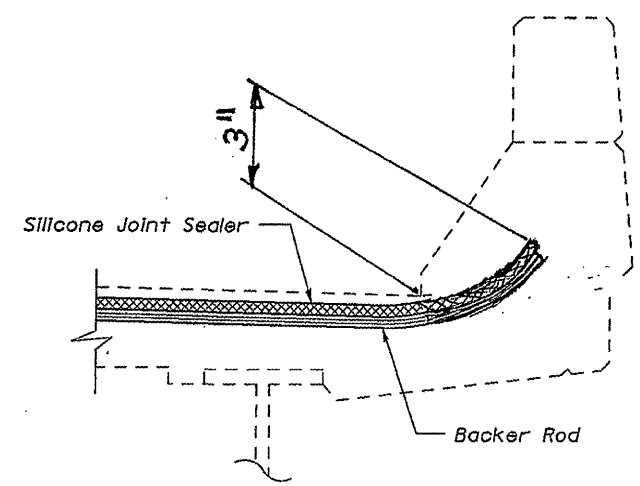
PROPOSED JOINT

NOTES:

REMOVE EXISTING PREFORMED JOINT SEALER AND REPLACE WITH SILICONE JOINT SEALER.

REMOVAL OF THE EXISTING PREFORMED JOINT SEALER IS INCLUDED IN THE COST OF SILICONE JOINT SEALER.

### DETAIL OF END SEAL TREATMENT



SHEET 4 OF 4

ILLINOIS DEPARTMENT OF TRANSPORTATION  
 EXPANSION JOINT DETAILS &  
 DETAIL OF END SEAL TREATMENT  
 S.N. 020-0024  
 F.A.I. ROUTE 74  
 SECTION (20-1)RS-2  
 DEWITT COUNTY  
 SCALE: NONE  
 DATE: 10/14/07  
 DRAWN BY: JRP  
 CHECKED BY:

PLOT DATE = 2/20/2008  
 FILE NAME = s:\projects\74\74178\bridge.dgn  
 USER = jrp  
 PLOTTER = eplplotter