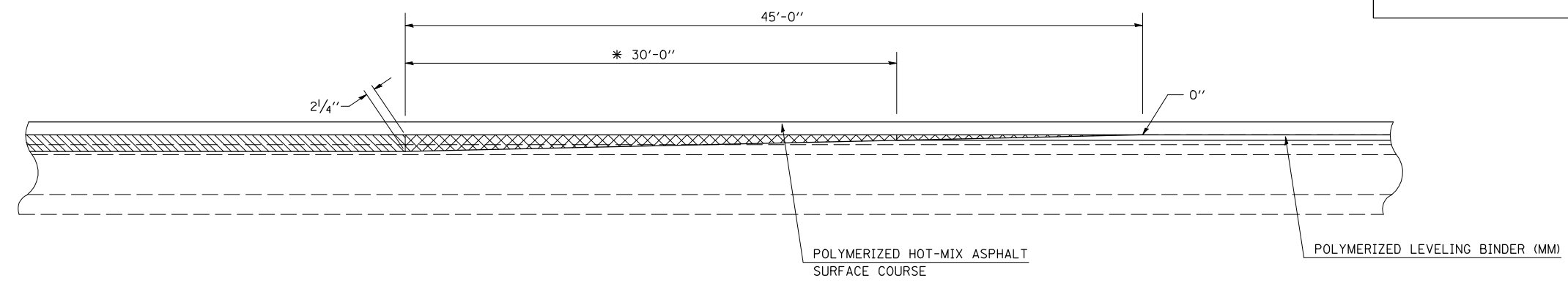



F.A.I. RTE.	SECTION	COUNTY	TOTAL SHEETS	SHEET NO.
74	(20-1)RS-2	DEWITT	97	60


DETAIL FOR MILLING TRANSITION AT INTERCHANGE RAMPS, 2 1/4" - 0"

RAMP A STATION 856+44.90 TO STATION 856+89.90
 RAMP B STATION 835+29.53 TO STATION 835+74.53
 RAMP C STATION 835+81.00 TO STATION 836+26.00
 RAMP D STATION 857+10.70 TO STATION 857+55.70

NOTE:
 AREA OF MILLING TRANSITION SHALL BE INCLUDED IN CONTRACT UNIT PRICE FOR THE HOT-MIX ASPHALT SURFACE REMOVAL - 2 1/4". NO ADDITIONAL COMPENSATION SHALL BE ALLOWED.



 HOT-MIX ASPHALT SURFACE REMOVAL - 2 1/4"

 MILLING TRANSITION AREA

* END POLYMERIZED HMA SURFACE COURSE, BEGIN POLYMERIZED LEVELING BINDER (MM).

NOT TO SCALE

ILLINOIS DEPARTMENT OF TRANSPORTATION
**DETAIL FOR MILLING TRANSITION
 AT INTERCHANGE RAMPS**
 F.A.I. ROUTE 74
 SECTION (20-1)RS-2
 DEWITT COUNTY

SCALE: NONE DRAWN BY: CADD
 DATE: 02-21-08 CHECKED BY: