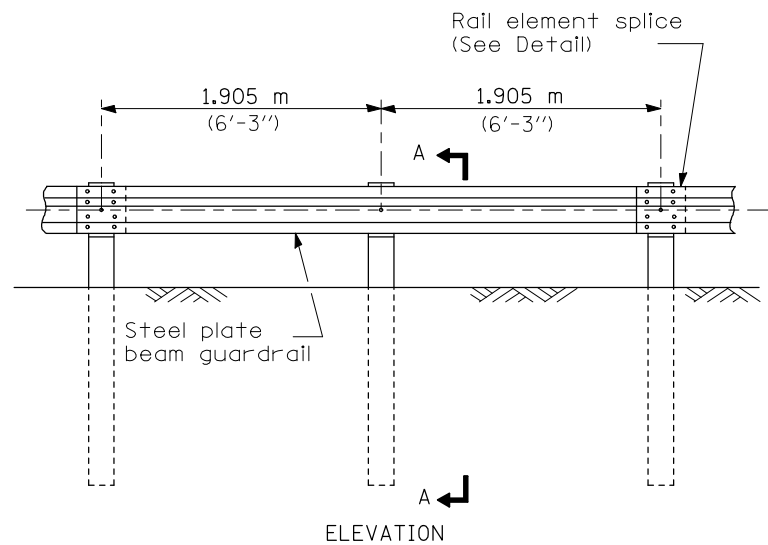
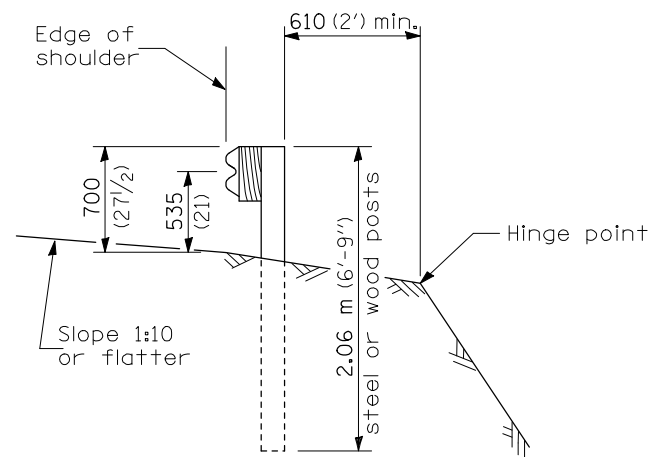


F.A.I. RTE.	SECTION	COUNTY	TOTAL SHEETS	SHEET NO.
74	(20-1)RS-2	DEWITT	97	72

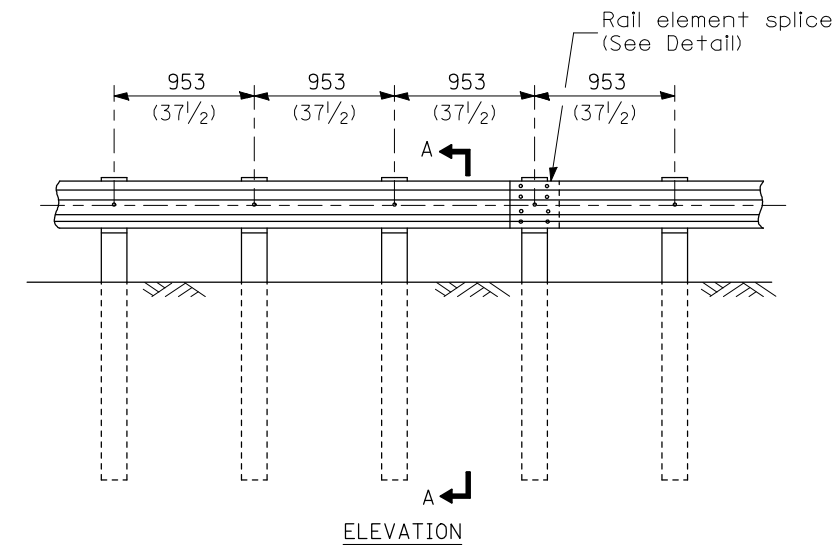


**TYPE A**

1.905 m (6'-3") Typical post spacing

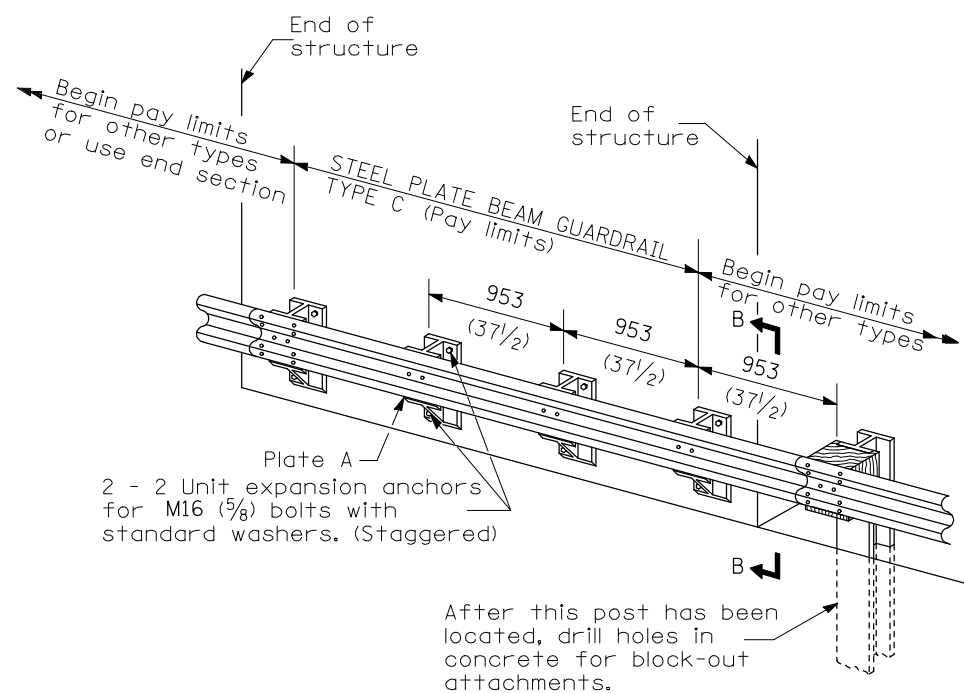


**SECTION A-A**



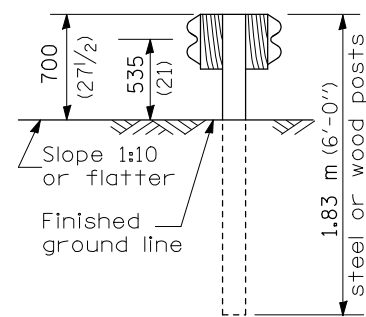
**TYPE B**

953 (37 1/2) Closed post spacing

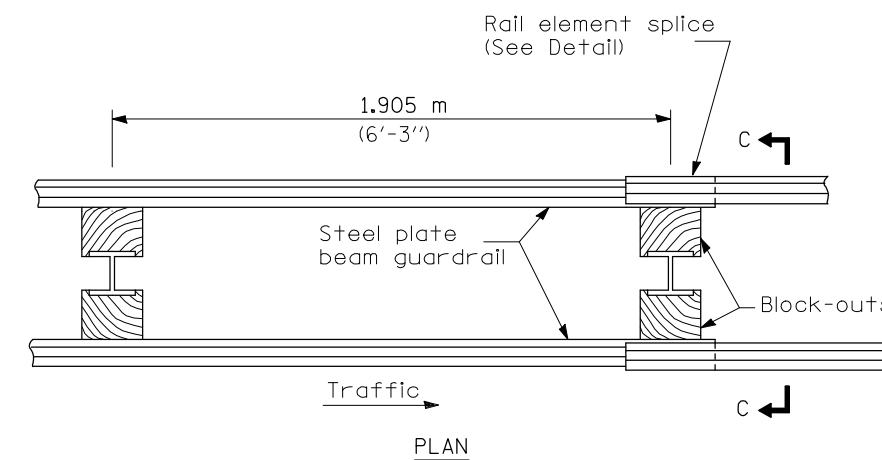


**TYPE C**

953 (37 1/2) Block-out spacing

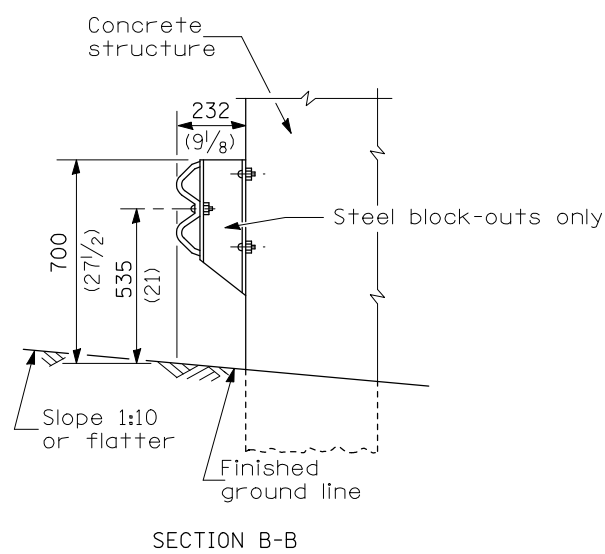


**SECTION C-C**



**TYPE D**

Double steel plate beam guardrail  
1.905 m (6'-3") typical post spacing



**SECTION B-B**

**GENERAL NOTES**

All slope ratios are expressed as units of vertical displacement to units of horizontal displacement (V:H).

All dimensions are in millimeters (inches) unless otherwise shown.

The existing steel posts may be drilled to match the bolt pattern shown herein for the wood block-out, or a new steel post shall be provided.

This detail is applicable to the guardrail system used prior to January 1, 2007. For details on the Midwest Guardrail System, see Standard 630001.

SHEET 1 OF 4

ILLINOIS DEPARTMENT OF TRANSPORTATION  
**DETAIL FOR REMOVE AND REERECT  
STEEL PLATE BEAM GUARDRAIL**

F.A.I. ROUTE 74  
SECTION (20-1)RS-2  
DEWITT COUNTY

SCALE: NONE  
DATE: 03-06-08

DRAWN BY: MOD. BLR26  
CHECKED BY: