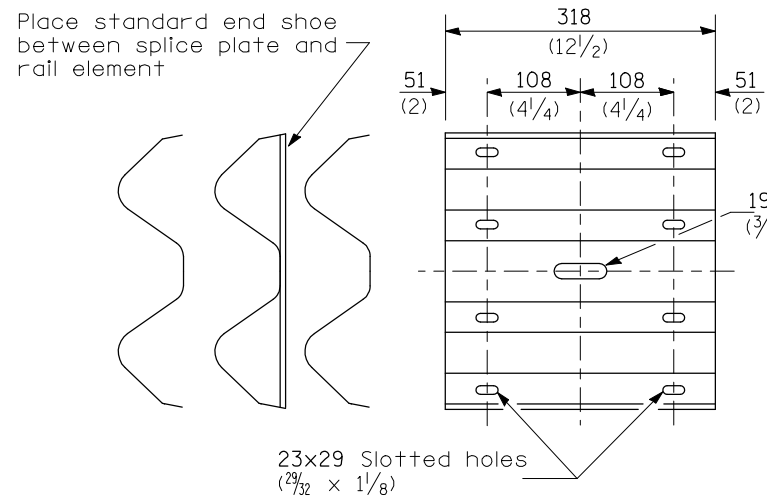
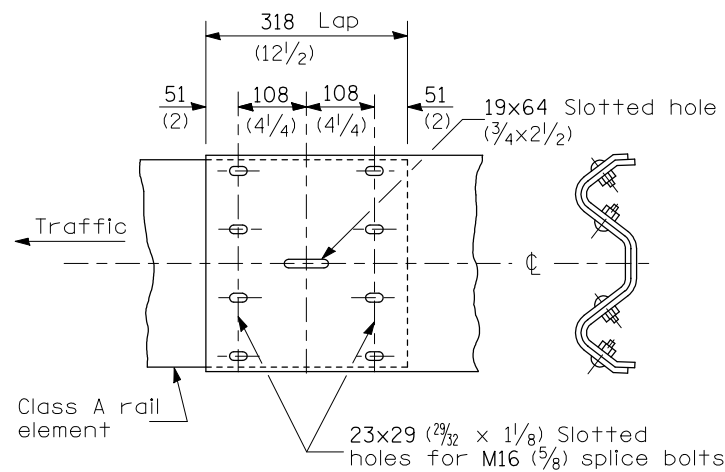


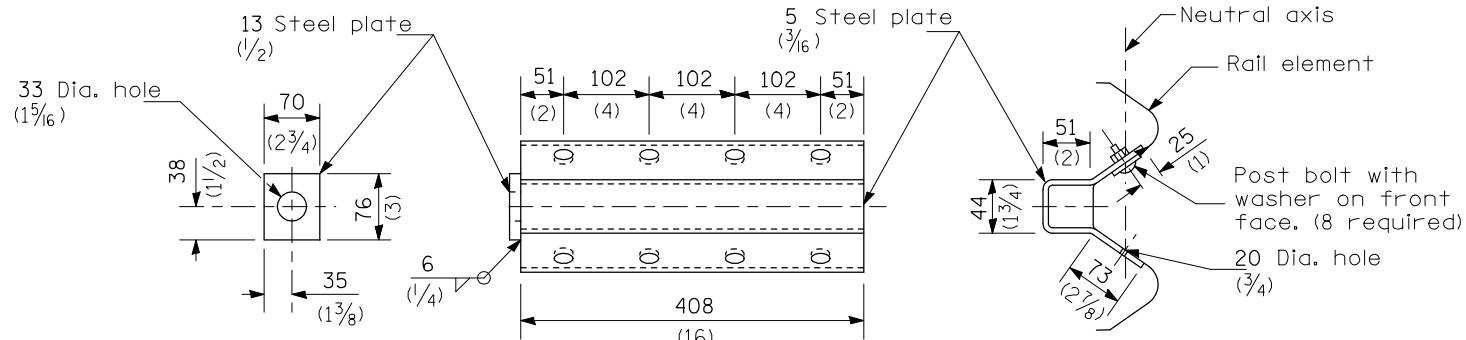
F.A.I. RTE.	SECTION	COUNTY	TOTAL SHEETS	SHEET NO.
74	(20-1)RS-2	DEWITT	97	74



SPLICE PLATE



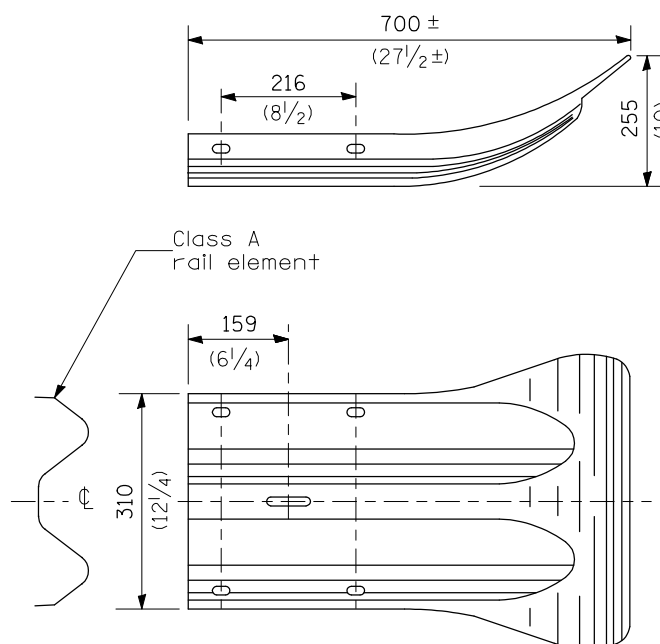
RAIL ELEMENT SPLICE



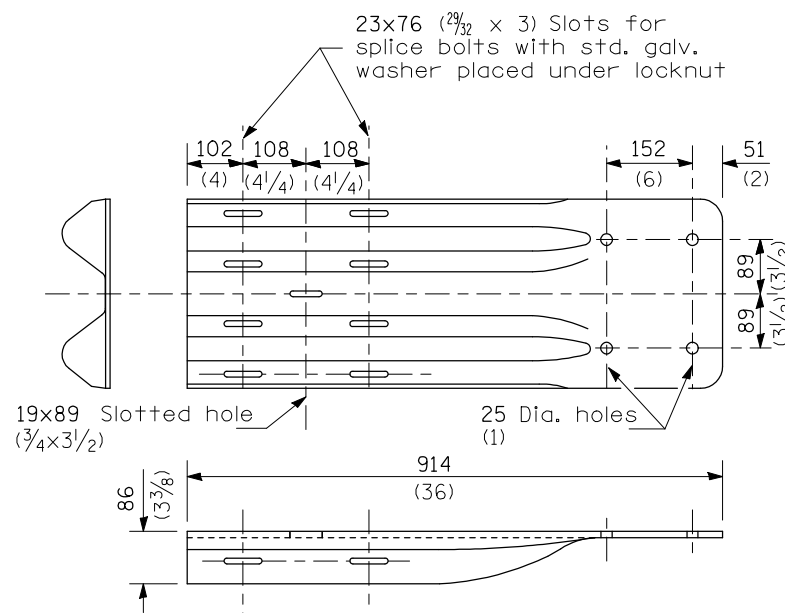
NOTE

Anchor plate T shall be used to attach cable assembly to guardrail when required on traffic barrier terminals.

ANCHOR PLATE T DETAILS



END SECTION



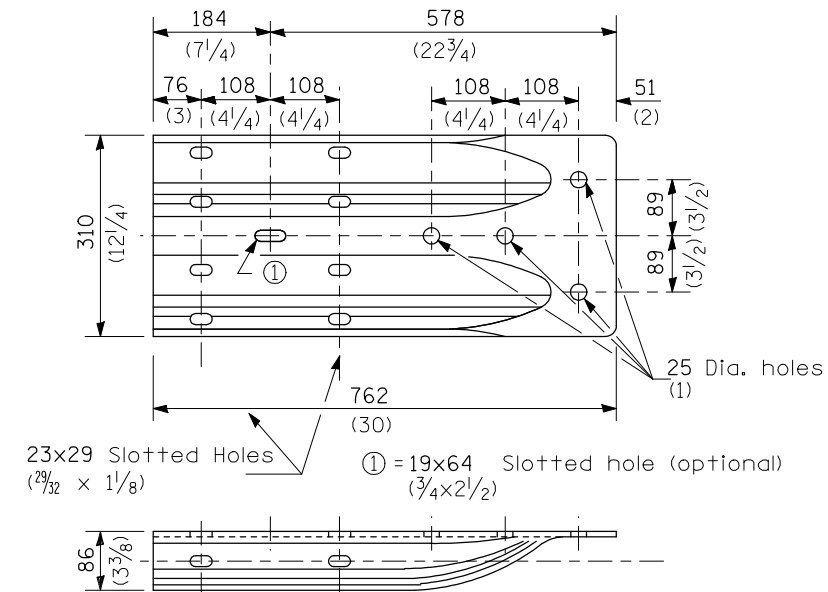
NOTE

When end shoe is attached to a bridge parapet which has an expansion joint, the bolts shall be provided with a locknut or double nut and shall be tightened only to a point that will allow guardrail movement.

The standard end shoe shall be attached to the concrete with pre-drilled or self-drilling anchor bolts. The anchor cone shall be set flush with the surface of the concrete.

Externally threaded studs protruding from the surface of the concrete will not be permitted.

END SHOE



ALTERNATE END SHOE

SHEET 3 OF 4

ILLINOIS DEPARTMENT OF TRANSPORTATION
**DETAIL FOR REMOVE AND REERECT
 STEEL PLATE BEAM GUARDRAIL**

F.A.I. ROUTE 74
 SECTION (20-1)RS-2
 DEWITT COUNTY

SCALE: NONE
 DATE: 03-06-08

DRAWN BY: MOD. BLR26
 CHECKED BY: