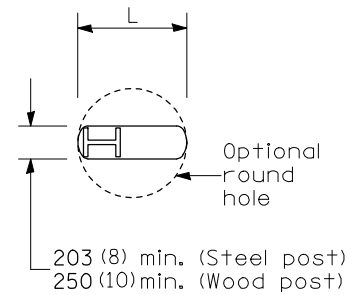
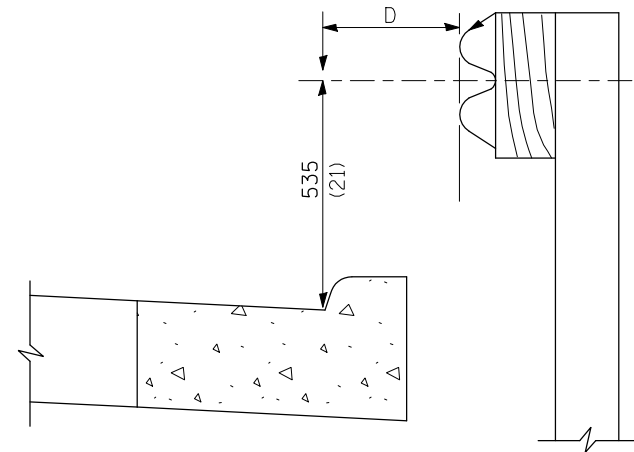


F.A.I. RTE.	SECTION	COUNTY	TOTAL SHEETS	SHEET NO.
74	(20-1)RS-2	DEWITT	97	75



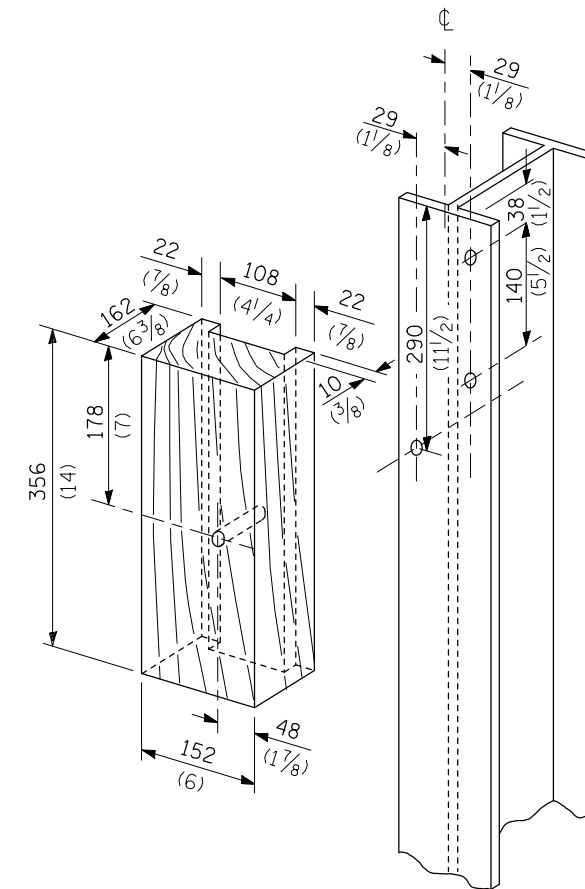
PLAN



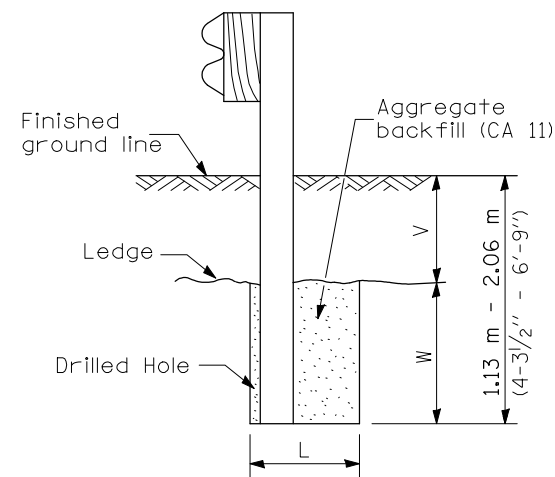
Note:
If it is necessary for D to be more than 300 (12) and less than 3.0 m (10'-0") type M-5 (M-2) curb and gutter (Std. 606001) shall be used in front of and in advance of the guardrail.

GUARDRAIL PLACED BEHIND CURB

(D = 0 desirable to 300 (12) maximum)



WOOD BLOCK-OUT AND STEEL POST DETAILS

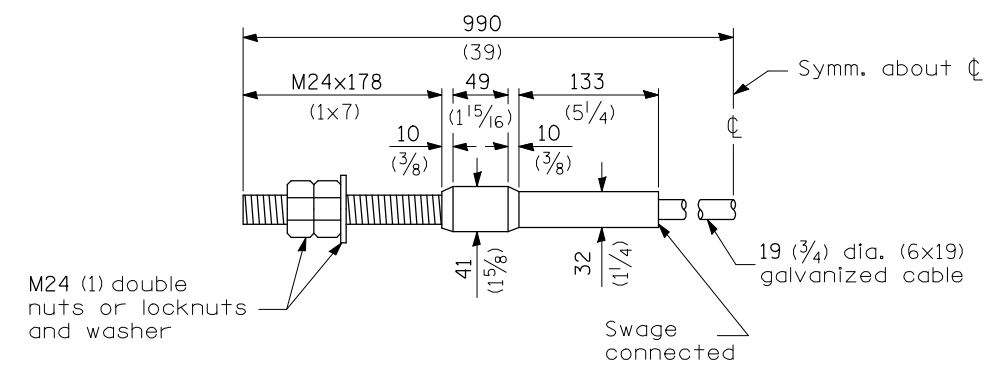


Note:
Ledge line is top of rock ledge or hard slag fill.

ELEVATION

FOOTING FOR POST WHEN IMPERVIOUS MATERIAL IS ENCOUNTERED

V	W	L	
		Steel Post	Wood Post
0 - 460 (0 - 18)	610 (24)	530 (21)	580 (23)
>460 - 825 (>18 - 41.5)	305 (12)	203 (8)	250 (10)
>825 - 1.13 m (>41.5 - 53.5)	305 - 0 (12 - 0)	203 (8)	250 (10)



CABLE ASSEMBLY

(18,100 kg (40,000 lbs.) min. breaking strength)
Tighten to taut tension.

SHEET 4 OF 4

ILLINOIS DEPARTMENT OF TRANSPORTATION
DETAIL FOR REMOVE AND REERECT
STEEL PLATE BEAM GUARDRAIL

F.A.I. ROUTE 74
SECTION (20-1)RS-2
DEWITT COUNTY

SCALE: NONE DRAWN BY: MOD. BLR26
DATE: 03-06-08 CHECKED BY: