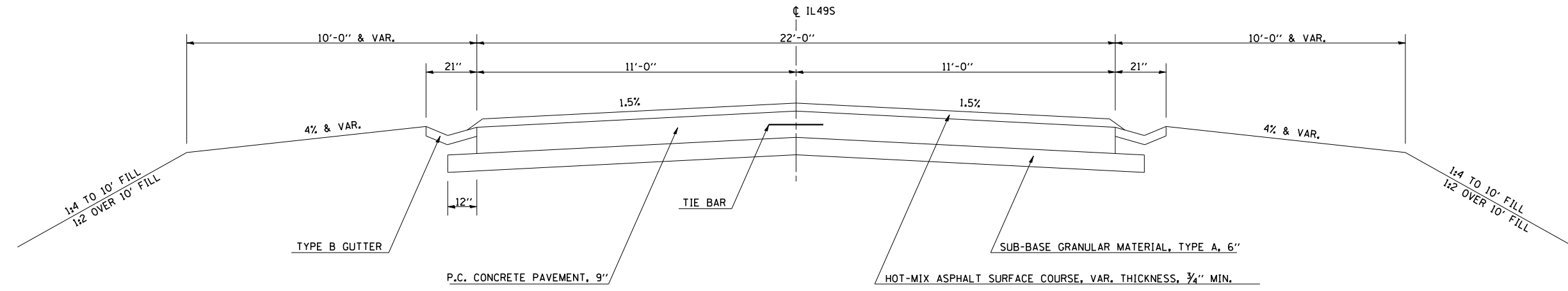


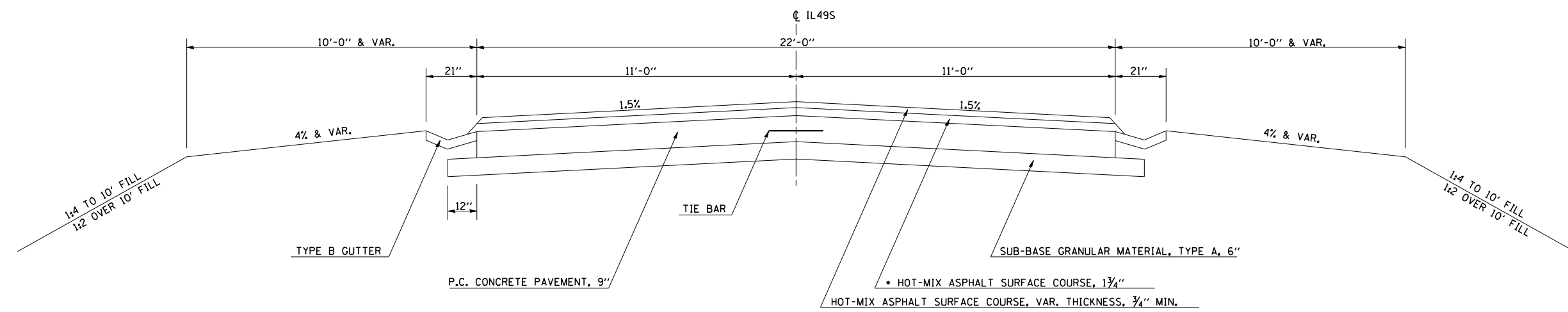
F.A.I. RTE.	SECTION	COUNTY	TOTAL SHEETS	SHEET NO.
74		CHAMPAIGN	93	12

• (10,92-8 HB-1)BR
CONTRACT NO. 70695



EXISTING TYPICAL CROSS SECTION

F.A.P. 836 (IL. RTE. 49 S.) / (C.H. 22)
STATION 47+81.50 TO STATION 48+36.25
STATION 51+63.75 TO STATION 52+18.50



• VARIABLE DEPTH HOT-MIX ASPHALT RUNDOWN
STA. 48+36.25 - STA. 48+67.25
STA. 51+32.75 - STA. 51+63.75

EXISTING TYPICAL CROSS SECTION

F.A.P. 836 (IL. RTE. 49 S.) / (C.H. 22)
STATION 48+36.25 TO STATION 49+07.25 (EX. BRIDGE)
STATION 50+92.75 (EX. BRIDGE) TO STATION 51+63.75
EX. BRIDGE OMISSION: STATION 49+07.25 TO STATION 50+92.75

REVISIONS	
NAME	DATE

ILLINOIS DEPARTMENT OF TRANSPORTATION
TYPICAL SECTIONS
FAP 836 (IL 49 S)/(CH 22)
OVER I-74
CHAMPAIGN COUNTY

SCALE: NONE
DATE: 06/2003
DRAWN BY: IYL
CHECKED BY: JH