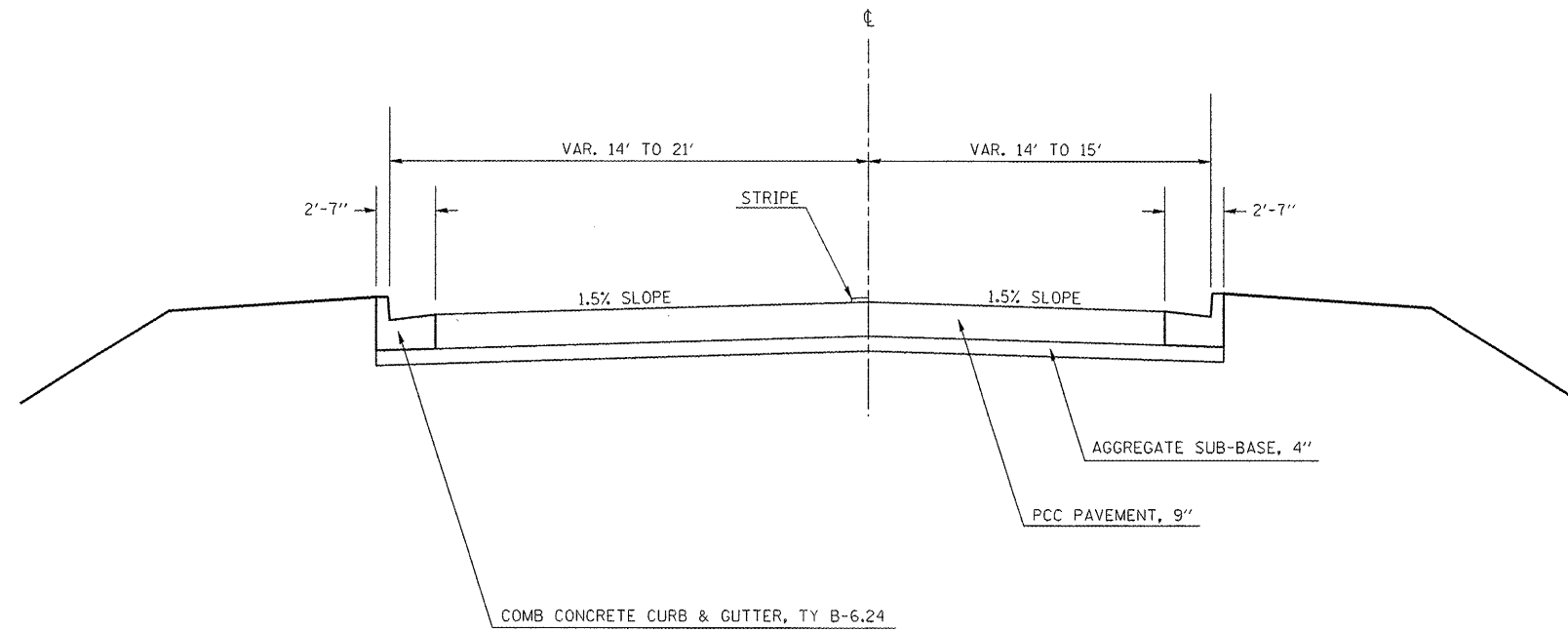


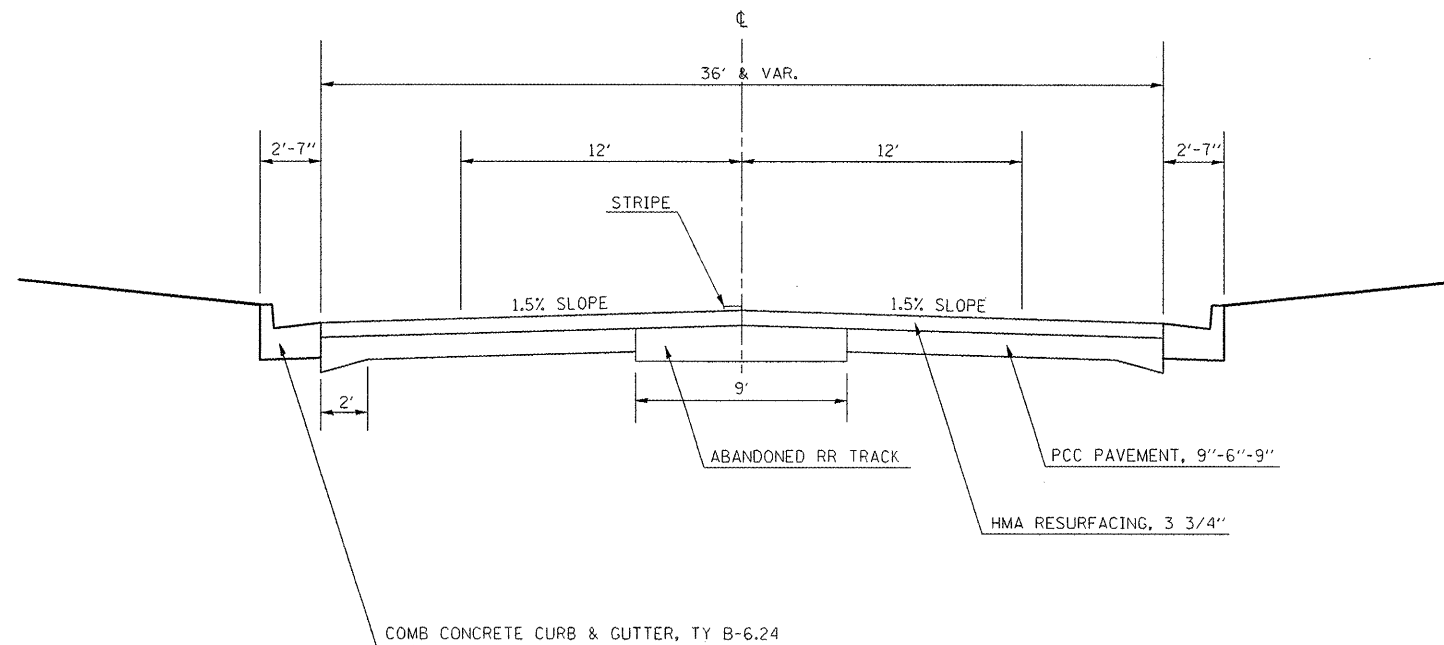
EXISTING TYPICAL CROSS SECTION ①

SB STA. 250+17.29 TO STA. 258+01.05 ③



EXISTING TYPICAL CROSS SECTION ②

NB STA. 250+32.54 TO STA. 257+79.97 ③



FILE NAME : c:\projects\70725\70637 typical.dgn	USER NAME : weger.js	DESIGNED -	REVISED -
		DRAWN -	REVISED -
		CHECKED -	REVISED -
		DATE -	REVISED -

**STATE OF ILLINOIS
DEPARTMENT OF TRANSPORTATION**

EXISTING TYPICAL SECTIONS				
SCALE:	SHEET NO.	OF	SHEETS	STA. TO STA.

F.A.P. RTE.	SECTION	COUNTY	TOTAL SHEETS	SHEET NO.
730	D5 PATCHING 2008-6	MCCLEAN	14	6
CONTRACT NO. 70725				
FED. ROAD DIST. NO. ILLINOIS FED. AID PROJECT				