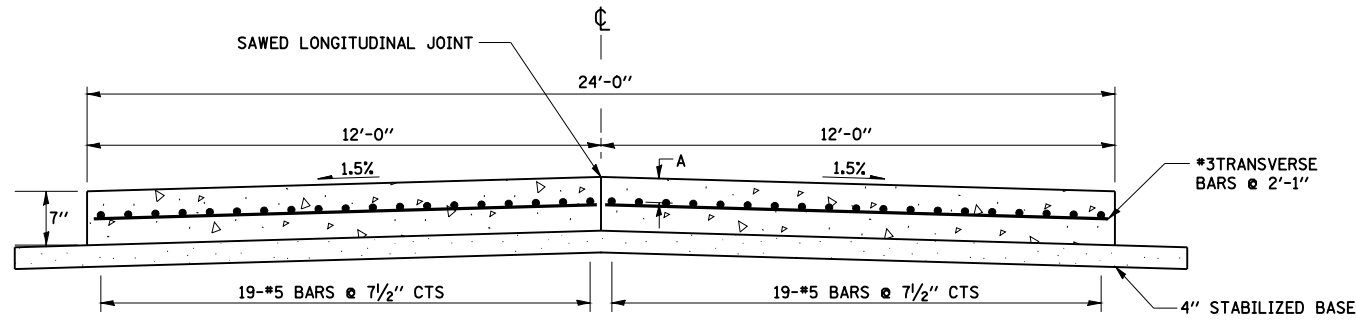
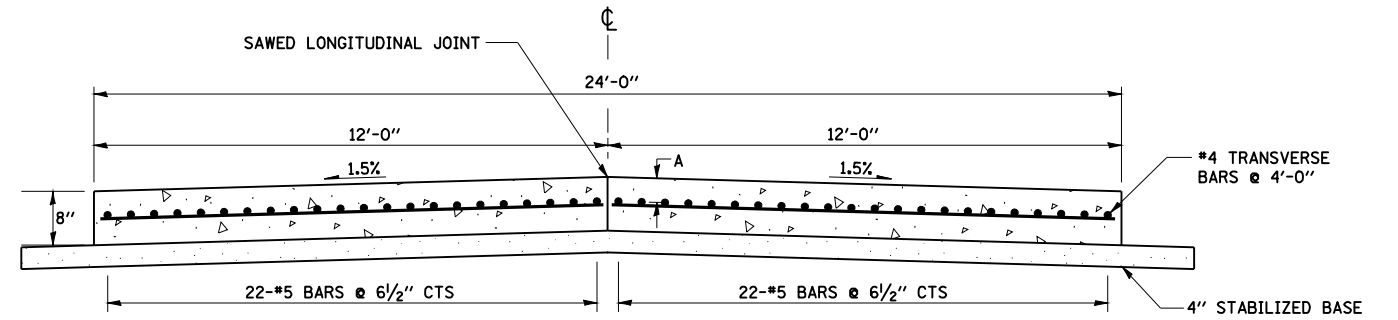


F.A.I. RTE.	SECTION	COUNTY	TOTAL SHEETS	SHEET NO.
72	(84-9)RS-6; (G)Z	SANGAMON	425	33
STA.		TO STA.		
FED. ROAD DIST. NO.	ILLINOIS	FED. AID PROJECT		



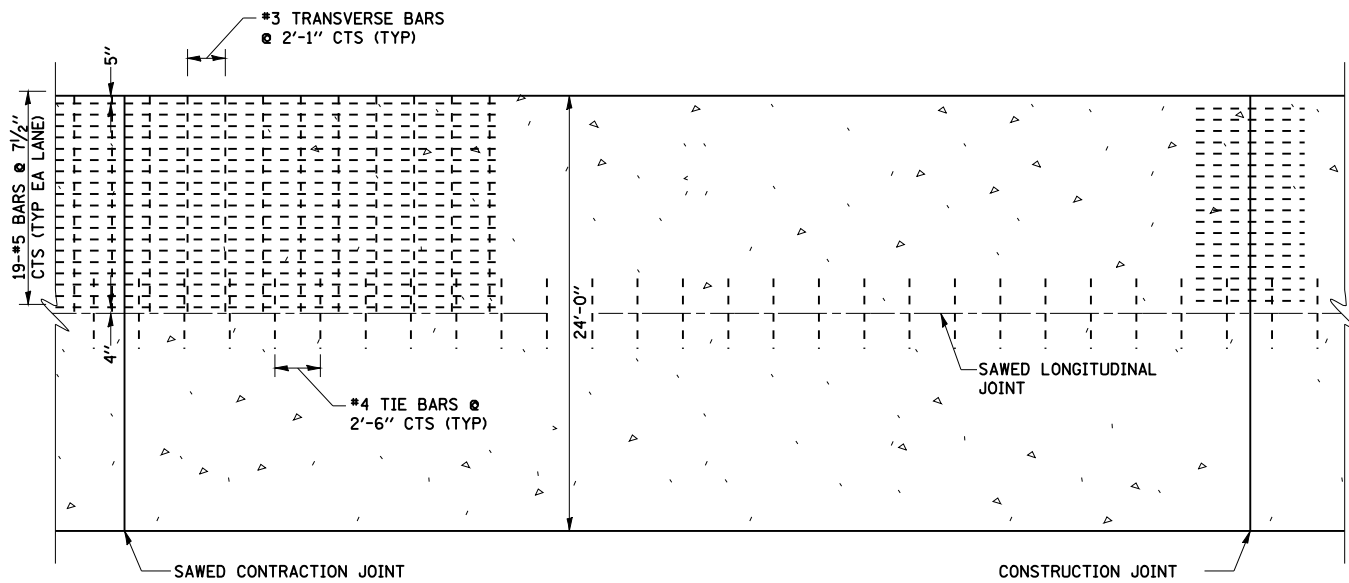
CROSS-SECTION OF EXISTING CRC PAVEMENT ON I-72

LOCATION A
WB I-72 STA 610+47.06 TO 628+40.00 3 1/2"

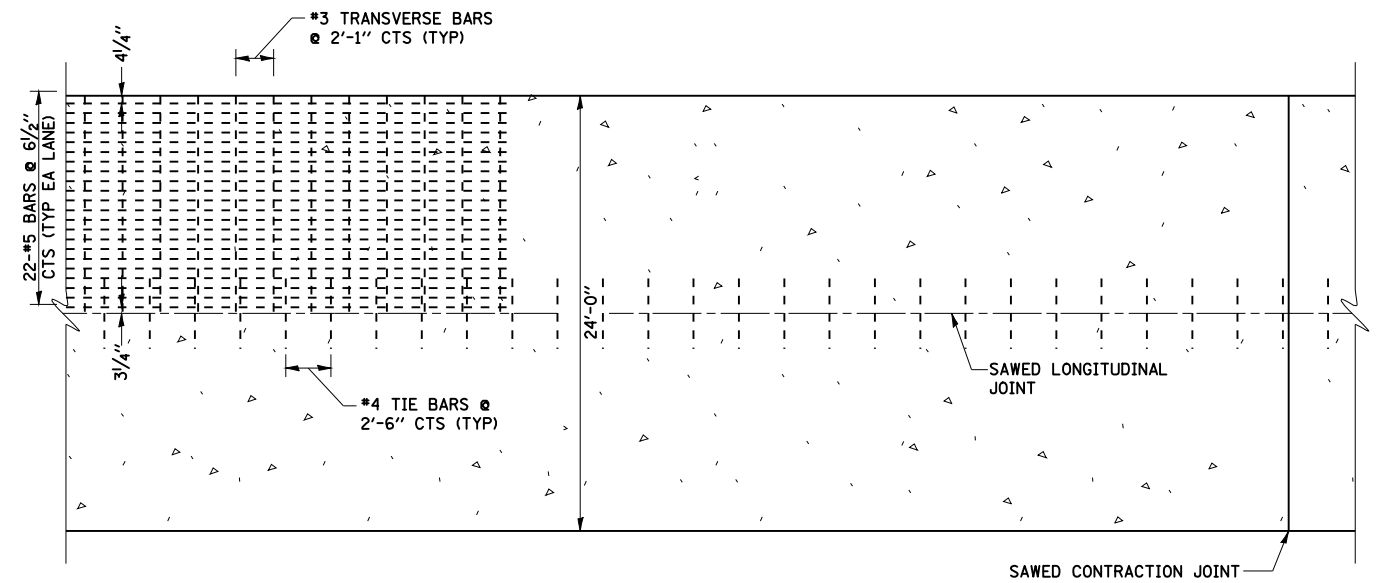


CROSS-SECTION OF EXISTING CRC PAVEMENT ON I-72

LOCATION A
EB I-72 STA 609+91.10 TO 628+40.00 2 1/4"



PLAN OF EXISTING CRC PAVEMENT ON I-72



PLAN OF EXISTING CRC PAVEMENT ON I-72

PLOT DATE = Mar-19-2008 11:27:38AM
FILE NAME = C:\Projects\4855582\4855582.dgn
PLOT SCALE = 1/8" = 1'-0"
USER NAME = laughlin

REVISIONS	
NAME	DATE

ILLINOIS DEPARTMENT OF TRANSPORTATION
EXISTING PAVEMENT REINFORCEMENT
FAI 72
SECTION (84-9)RS-6
SANGAMON COUNTY

SCALE: VERT.
HORIZ.

DRAWN BY
CHECKED BY