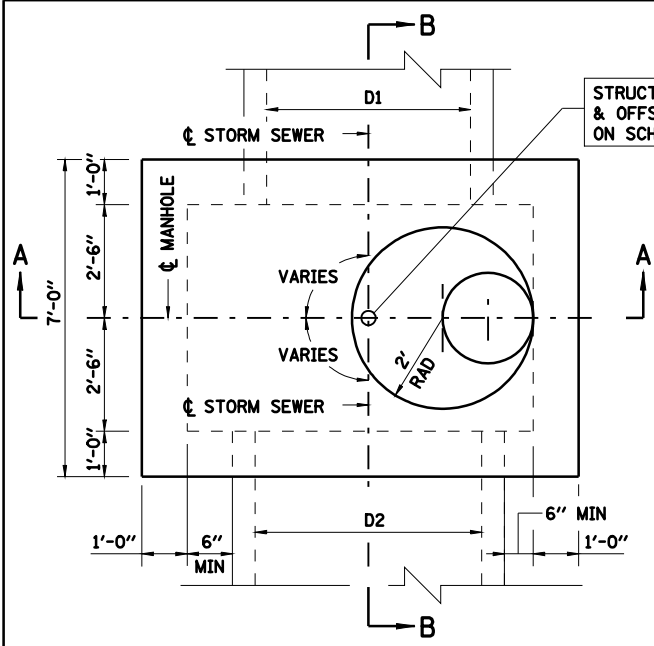
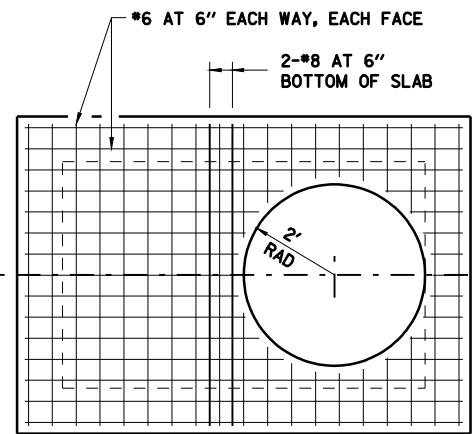


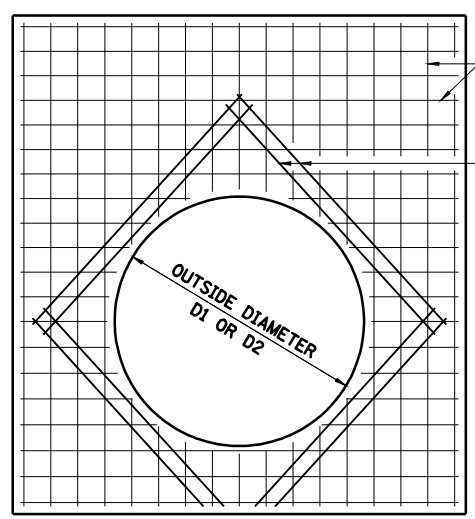
FAU ROUTE	SECTION	COUNTY	TOTAL SHEETS	SHEET NO.
8071	*	SANGAMON	425	297
STA.		TO STA.		
FED. ROAD DIST. NO.	ILLINOIS	FED. AID PROJECT		
(84-9) RS-6; (G)Z *				



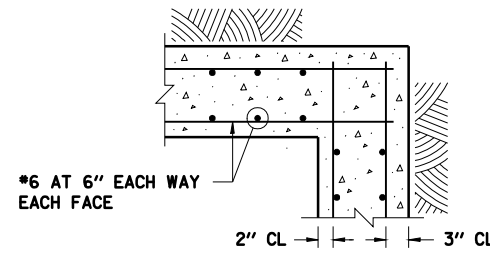
MANHOLE SPECIAL, TYPE 5
NOT TO SCALE



REINFORCEMENT PLAN AT OPENING IN TOP SLAB
MANHOLE SPECIAL, TYPE 5
NOT TO SCALE

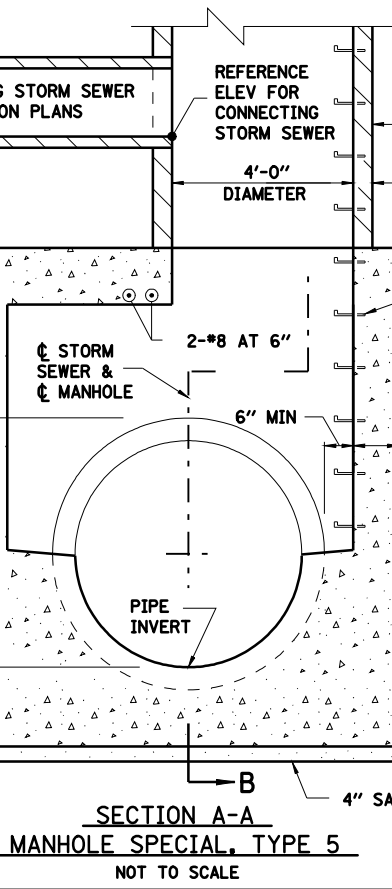
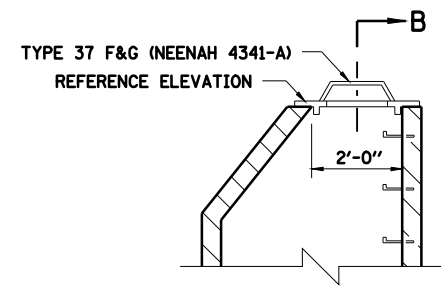


REINFORCEMENT PLAN AT PIPE OPENING IN SIDE
MANHOLE SPECIAL, TYPE 5
NOT TO SCALE



REINFORCEMENT AT ALL CORNERS
MANHOLE SPECIAL, TYPE 5
NOT TO SCALE

MANHOLE TYPE	DIAMETER
MANHOLE SPECIAL, TYPE 1	72" Ø
MANHOLE SPECIAL, TYPE 2	66" Ø
MANHOLE SPECIAL, TYPE 3	60" Ø
MANHOLE SPECIAL, TYPE 4	54" Ø



SECTION A-A
MANHOLE SPECIAL, TYPE 5
NOT TO SCALE

NOTES:

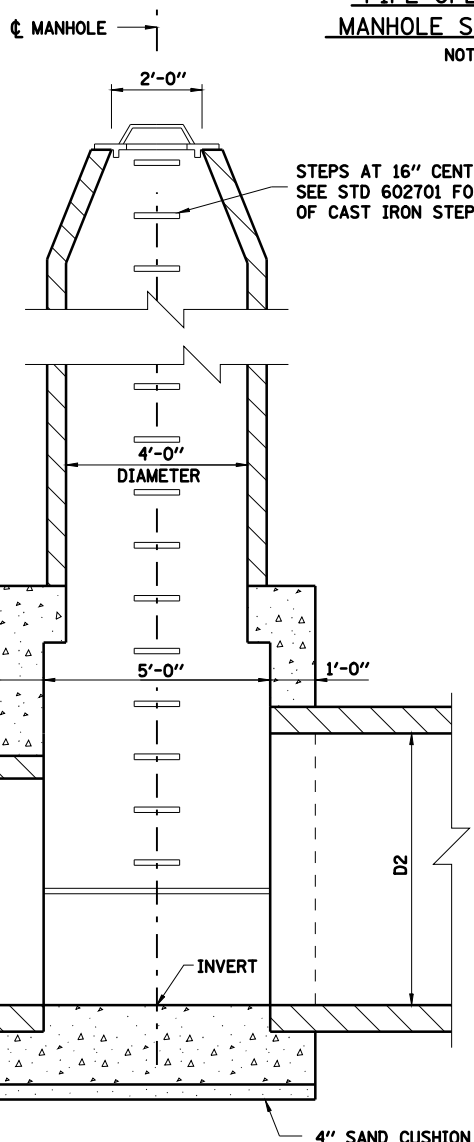
- PROVIDE 1/2" KEY AT ALL CONSTRUCTION JOINTS. CONTRACTOR MAY SUBSTITUTE PRECAST FOR CAST-IN-PLACE MANHOLE. DESIGN MUST BE PREPARED BY LICENSED STRUCTURAL ENGINEER, SUBMIT SHOP PLANS IN ACCORDANCE WITH ARTICLE 504.04.
- ALL WORK SHOWN WILL BE PAID FOR AS MANHOLE SPECIAL TYPE 5.
- USE FLAT SLAB TOP AT (72) (78) & (84)

REINFORCEMENT

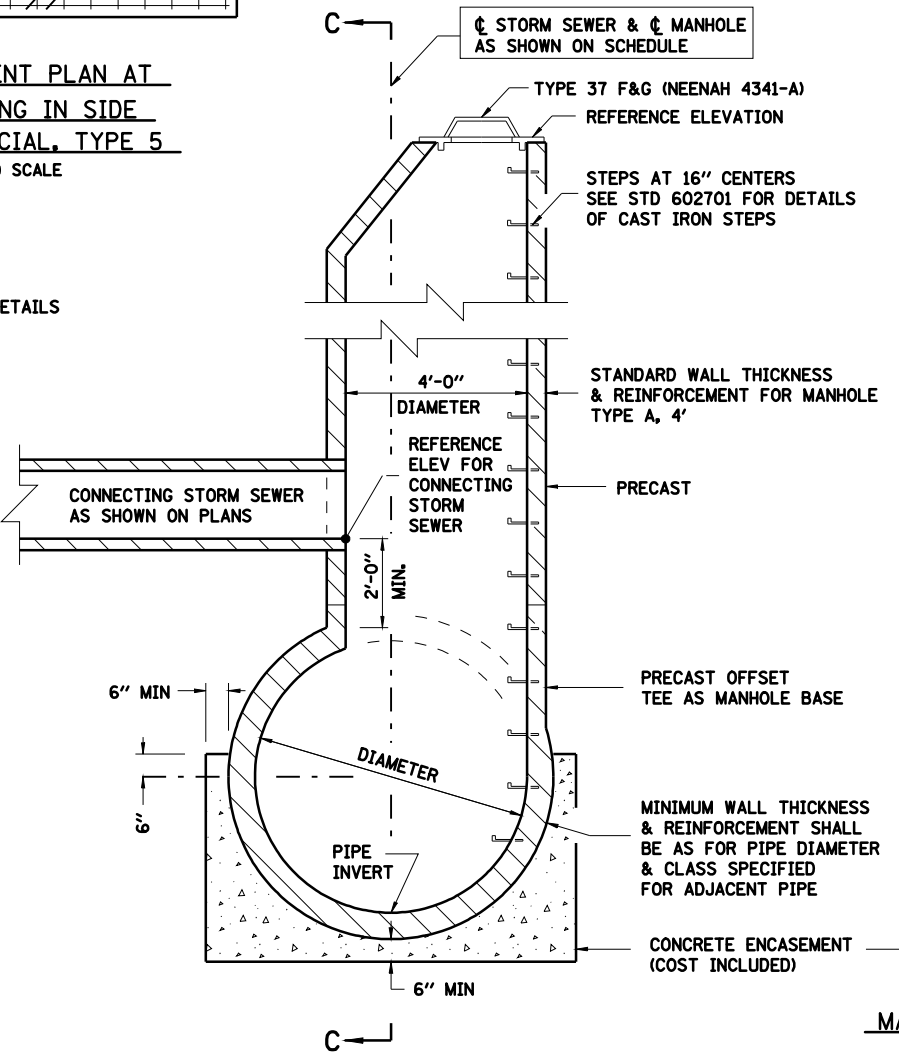
*6 AT 6" EACH WAY, EACH FACE IN TOP, BOTTOM & SIDES

- STANDARD WALL THICKNESS & REINFORCEMENT FOR MANHOLE TYPE A, 4'
- STEPS AT 16" CENTERS SEE STD 602701 FOR DETAILS OF CAST IRON STEPS

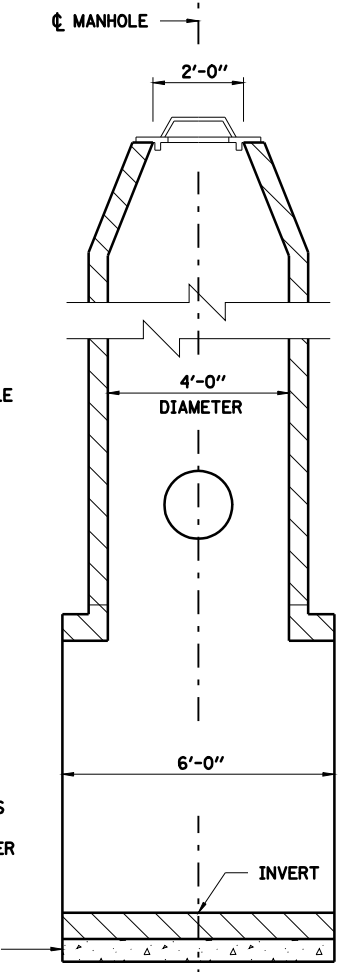
MANHOLE SPECIAL, TYPE 5		
LOCATION	D1	D2
844+00	54"	60"
824+00	60"	66"
807+00	66"	72"



SECTION B-B
MANHOLE SPECIAL, TYPE 5
NOT TO SCALE



MANHOLE SPECIAL, TYPE 1,2,3,4
NOT TO SCALE



MANHOLE SPECIAL, TYPE 1,2,3,4
SECTION C-C
NOT TO SCALE

NOTE: THIS SHEET INCLUDED FOR INFORMATION ONLY. WORK ON THIS SHEET COMPLETED IN THE PRIOR GRADING & STRUCTURES CONTRACT.

REVISIONS	
NAME	DATE

ILLINOIS DEPARTMENT OF TRANSPORTATION
DRAINAGE STRUCTURE DETAILS -1
FAI-72, MACARTHUR BLVD
SECTION
(84-9) RS-6; (G)Z
SANGAMON COUNTY, ILLINOIS
SCALE: VERT. DATE: Mar-19-2008 03:19:57PM
DRAWN BY: CLG
CHECKED BY: JAD

LAYOUT	CLG	09/17/01
CLG	09/17/01	
DRAWN	CLG	09/17/01
REVIEWED	JMM	09/17/01