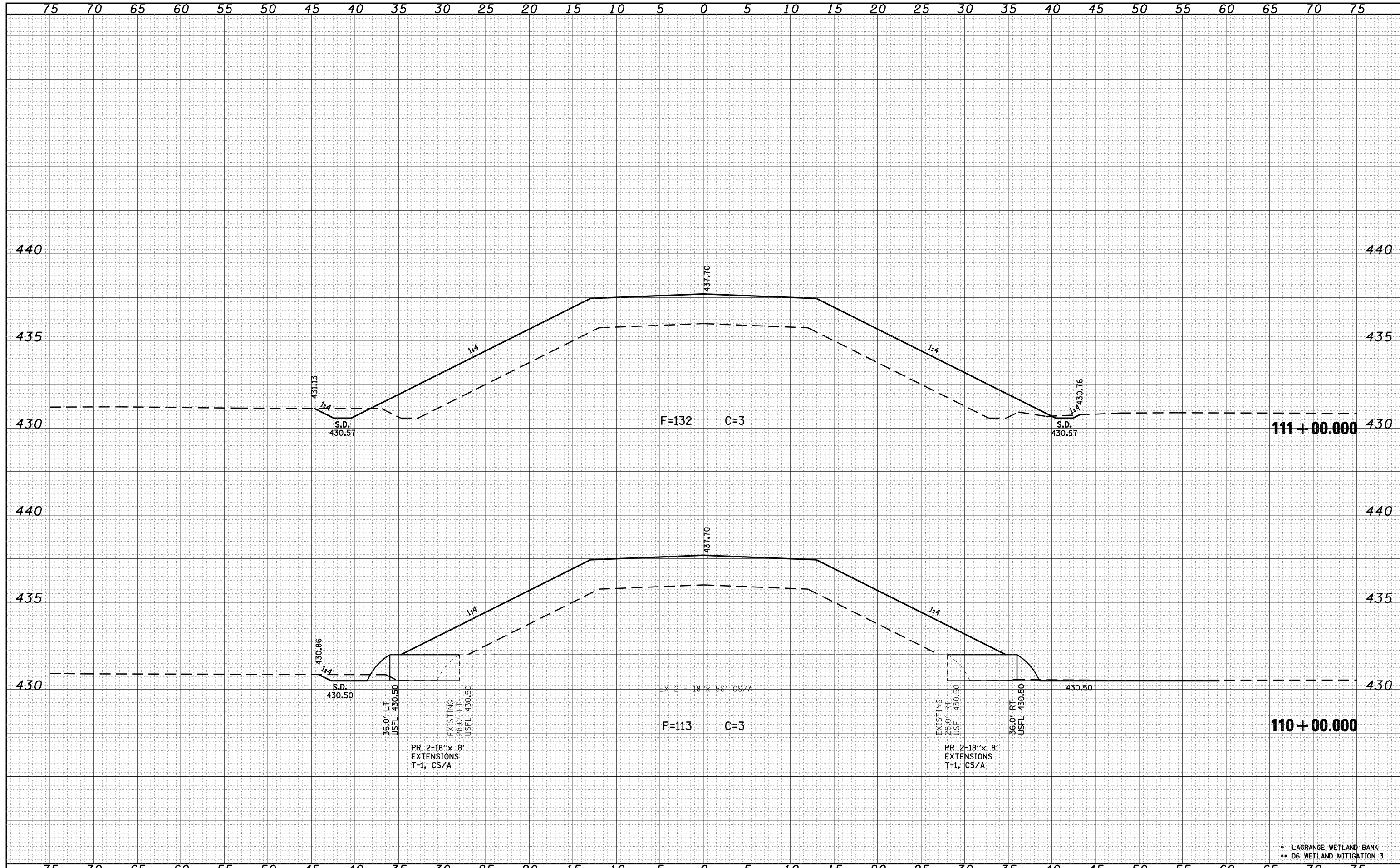


DATE	
BY	
SURVEYED	
PLOTTED	
TEMPLATE	
AREAS	
CHECKED	
NO.	

DATE	
BY	
SURVEYED	
PLOTTED	
TEMPLATE	
AREAS	
CHECKED	
NO.	



• LAGRANGE WETLAND BANK
 ** D6 WETLAND MITIGATION 3

FILE NAME = C:\Projects\d650305\contract 03\xsa001asheet.dgn

USER NAME = laughlin1
 PLOT SCALE = 10.0000' / IN.
 PLOT DATE = Mar-17-2008 12:10:26PM

DESIGNED -
 DRAWN - KPG
 CHECKED - JCN
 DATE -

REVISED -
 REVISED -
 REVISED -
 REVISED -

**STATE OF ILLINOIS
 DEPARTMENT OF TRANSPORTATION**

CROSS SECTIONS A001A

SCALE: SHEET NO. OF SHEETS STA. 110+00.000 TO STA. 111+00.000

F.A.P. RTE.	SECTION	COUNTY	TOTAL SHEETS	SHEET NO.
•	**	BROWN	174	103
CONTRACT NO. 72968				
FED. ROAD DIST. NO. ILLINOIS FED. AID PROJECT				