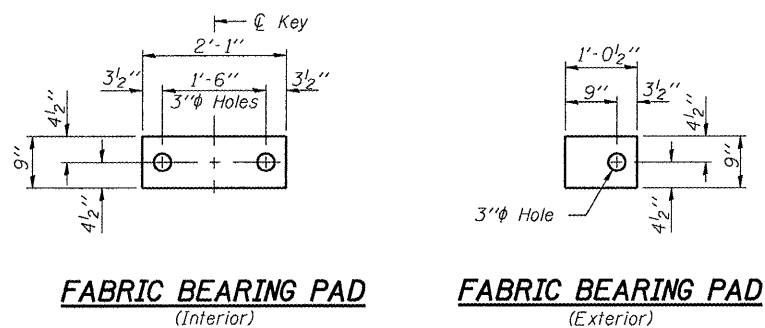


STATE OF ILLINOIS
DEPARTMENT OF TRANSPORTATION

ROUTE NO.	SECTION	COUNTY	TOTAL SHEETS	SHEET NO.
IL 97		SANGAMON	29	16
FED. ROAD DIST. NO. 7	ILLINOIS	FED. AID PROJECT-		

SHEET NO. 3
8 SHEETS

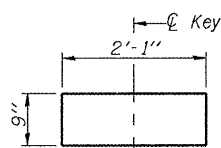
Contract Number: 72B70



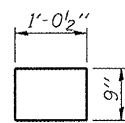
FABRIC BEARING PAD
(Interior)

FABRIC BEARING PAD
(Exterior)

FIXED

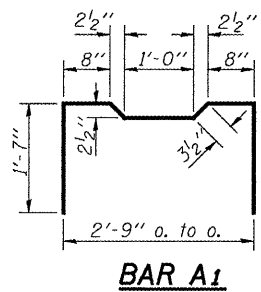


FABRIC BEARING PAD
(Interior)

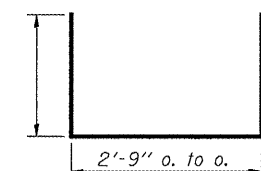


FABRIC BEARING PAD
(Exterior)

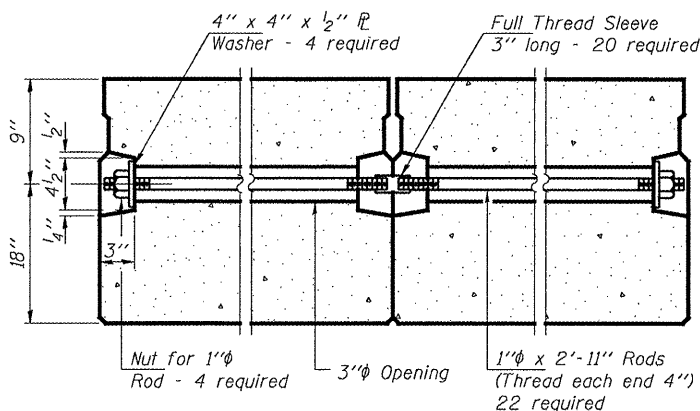
EXPANSION



BAR A1

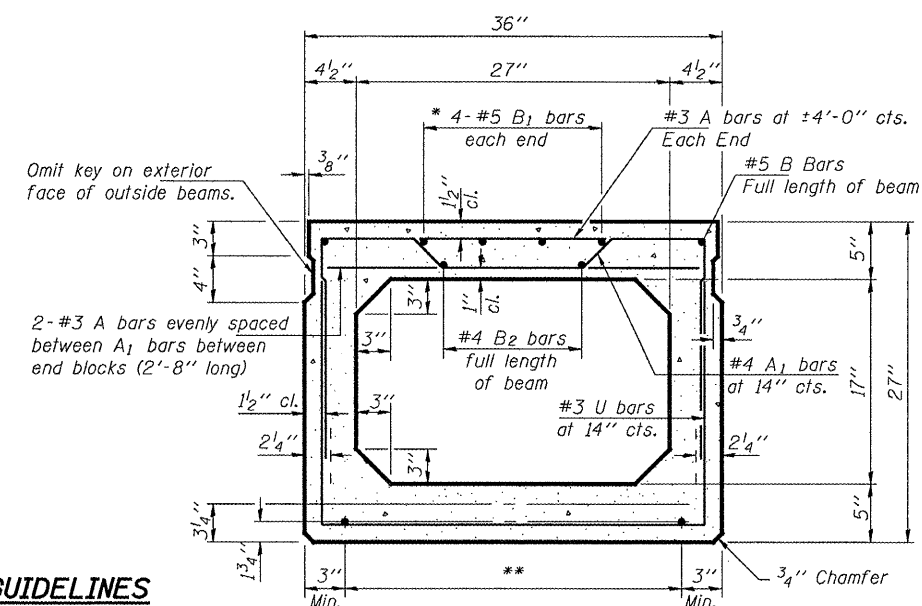


BARS U & U1



TYPICAL TRANSVERSE TIE ASSEMBLY

* 0.2 x Length of beam



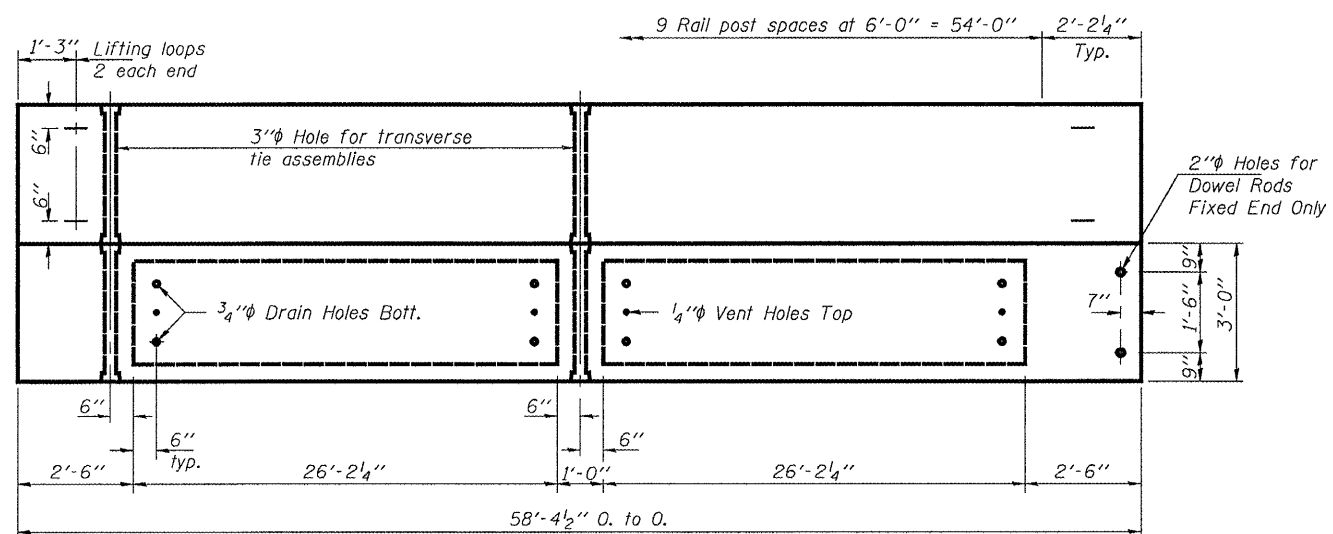
TYPICAL SECTION

1/2" Strands, Each Strand Stressed to 30,900 Lbs.
6-Strands 1 3/4" up, 6-Strands 3 1/4" up, 2-Strands 4 1/2" up

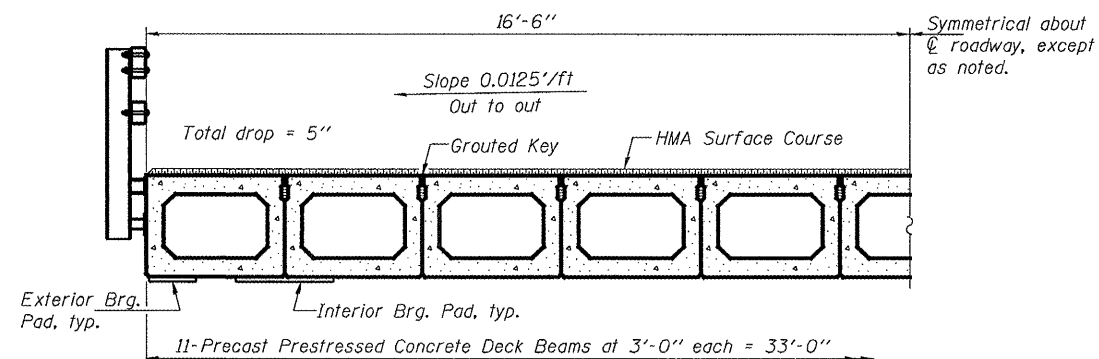
*** TRANSVERSE PLACEMENT GUIDELINES**

1. Place strands symmetrically about centerline of beam.
2. The minimum distance from center to center of strands in all directions shall be 2".
3. The minimum clearance from strand to dowel hole shall be 1/2".
4. The minimum clearance from strand to void shall be 1/2".

Vertical placement of strands shall not be adjusted to satisfy the above guidelines.

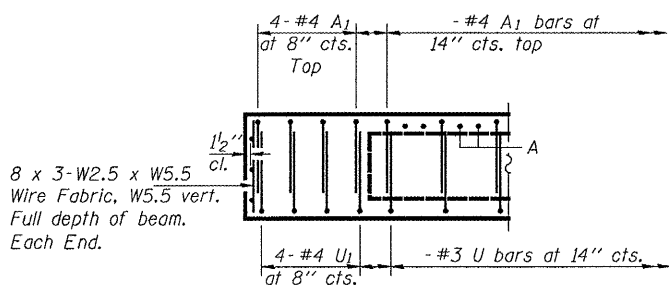


PLAN

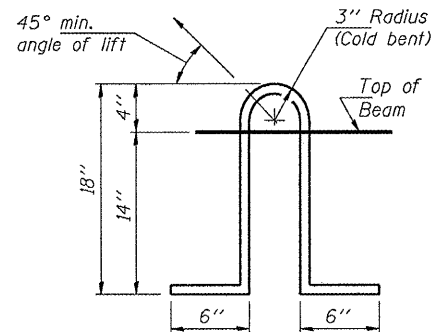


HALF CROSS SECTION

(Looking West)



END ELEVATION



LIFTING LOOP DETAIL

NOTES

- Prestressing steel shall be uncoated high strength, low relaxation 7-wire strand, Grade 270. The nominal diameter shall be 1/2" and the nominal cross-sectional area shall be 0.153 sq. in. Lifting loops shall be 2-1/2" φ-270 ksi strands, as shown.
- The 1" rods in the transverse tie assembly shall be tightened to a snug fit and the threads set. Pockets that receive transverse tie bar on outside shall be filled with grout after transverse tie assembly is in place.
- Non prestressing steel shall conform to ASTM A 706 (IL MOD), Grade 60.
- The bearing seat surfaces shall be adjusted by shimming to assure firm and even bearing. Two 1/8" fabric adjusting shims of the dimensions of the Exterior Bearing Pad shall be provided for each bearing.
- Keyway surfaces shall be cleaned to remove form oil or other bond breaking material prior to shipment of the beams. Cleaning shall be done by sandblasting the keyway areas between top of the beam and the bottom edge of the key.
- Corrosion Inhibitor, per Article 1020.05(b)(12) of the Standard Specifications, shall be used in the concrete for precast prestressed concrete deck beams.
- Required Release Strength, f'ci, shall be 4000 p.s.i.

BILL OF MATERIAL

Erecting Precast Prestressed Conc. Deck Bms. (27" Depth)	Sq. Ft.	1927

BEAM DETAILS
IL. 97 OVER PRAIRIE CREEK
SANGAMON COUNTY
SN 084-0046

DESIGNED	VHV
CHECKED	ATH
DRAWN	baliva
CHECKED	VHV ATH

APRIL 30, 2008
EXAMINED *Carl Perry*
ENGINEER OF STRUCTURAL SERVICES
PASSED *Ralph E. Anderson*
ENGINEER OF BRIDGES AND STRUCTURES