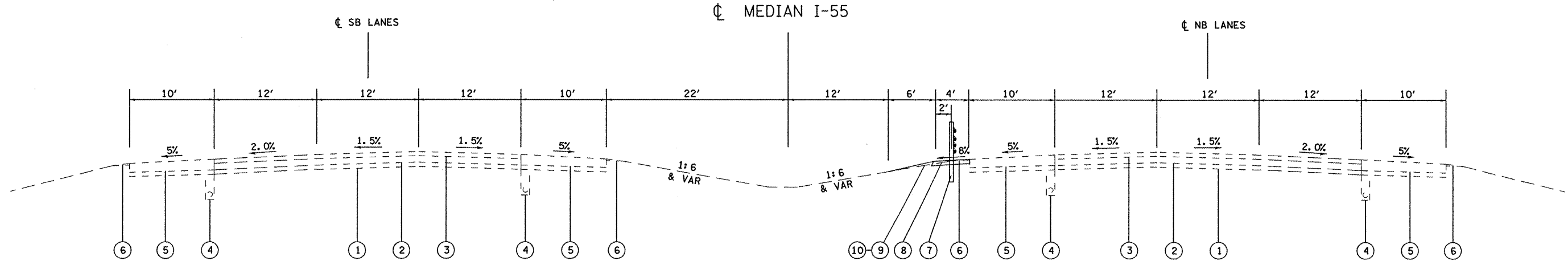


LT. STA 338+39.72 to LT. STA 366+10.20
 LT. STA 417+94.12 to LT. STA 511+68.87



RT. STA 222+91.13 to RT. STA 337+35.95
 RT. STA 370+61.55 to RT. STA 421+00.27

LEGEND

- ① EX SUB-BASE GRANULAR MATERIAL 6"
- ② EX 10" SRPCC PAVEMENT
- ③ EX BITUMINOUS CONCRETE 5" AND VAR
- ④ EX PIPE UNDERDRAIN
- ⑤ EX BITUMINOUS SHOULDERS
- ⑥ EX AGGREGATE SHOULDER
- ⑦ PR HIGH TENSION CABLE MEDIAN BARRIER
- ⑧ PR HOT-MIX ASPHALT SHOULDERS 4"
- ⑨ FURNISHED EXCAVATION
- ⑩ EROSION CONTROL BLANKET

• 2.0 SQ FT X-SECT. WAS USED TO ESTIMATE FURNISHED EXCAVATION

• - D-6 CABLE MEDIAN BAR #3

FILE NAME : C:\Projects\1672b85\1672b85-shr-typical.dgn	USER NAME : laughlinr1	DESIGNED - BKL	REVISED -	STATE OF ILLINOIS DEPARTMENT OF TRANSPORTATION	TYPICAL SECTIONS			F.A.I. RTE.	SECTION	COUNTY	TOTAL SHEETS	SHEET NO.
	PLOT SCALE = 100.0000' / IN.	DRAWN - BKL	REVISED -					55	•	SANGAMON	14	4
	PLOT DATE = Mar-06-2008 02:06:34PM	CHECKED - JPM	REVISED -		CONTRACT NO. 72B85							
	DATE - FEB. 15 2008	REVISI	ON		FED. ROAD DIST. NO. ILLINOIS FED. AID PROJECT							
					SCALE:	SHEET NO.	OF	SHEETS	STA.	TO	STA.	