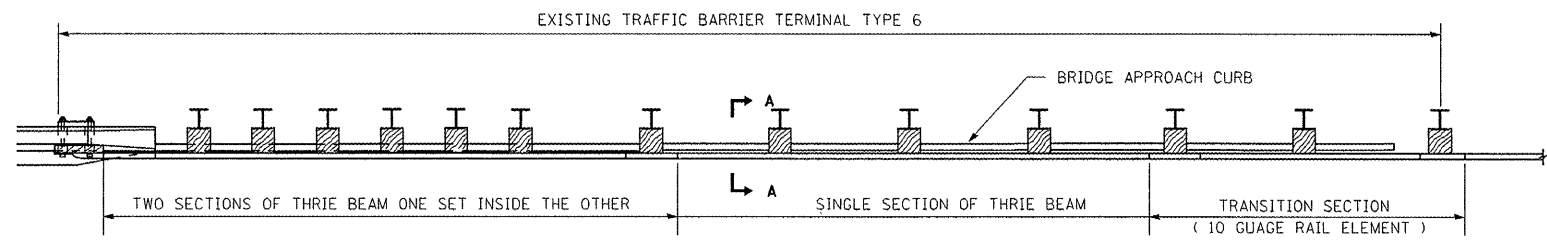
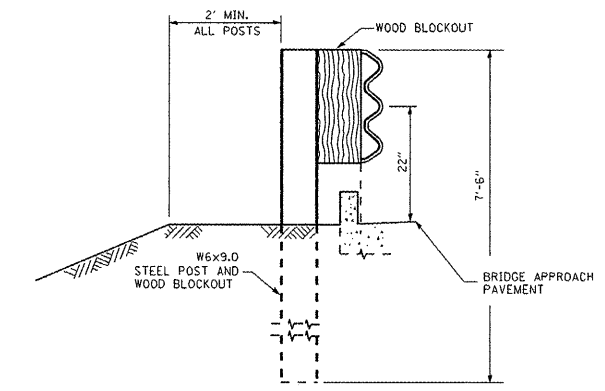


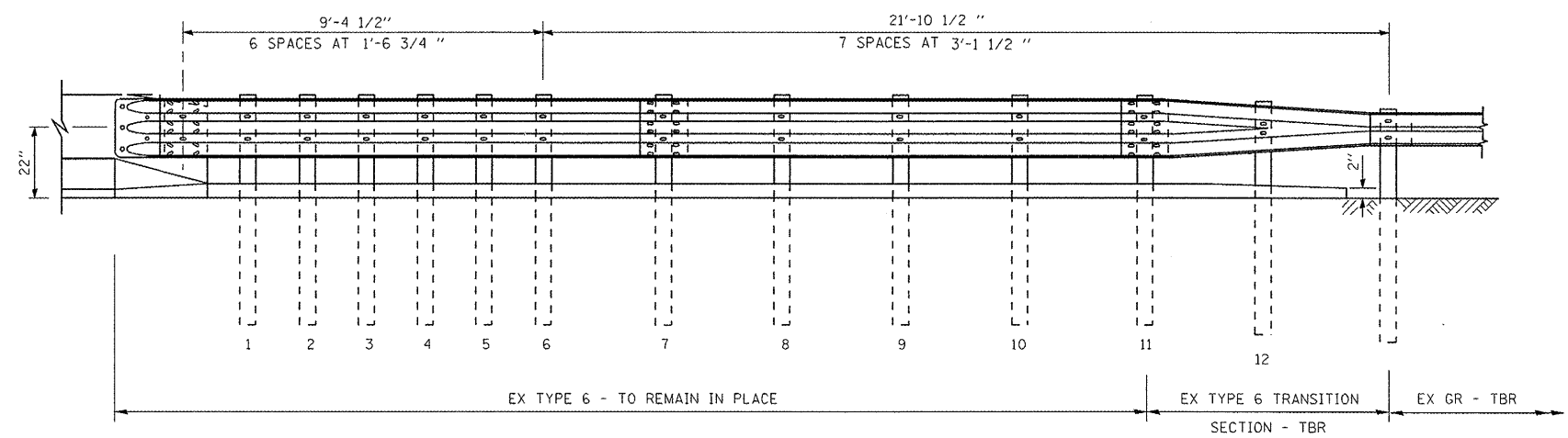
F.A.I. RTE.	SECTION	COUNTY	TOTAL SHEETS	SHEET NO.
*	**	***	9	9
STA. TO STA.				
FED. ROAD DIST. NO. ILLINOIS FED. AID PROJECT				
* - 72, 155				
** - D6 MEDIAN PROTECTION 2008				
*** - LOGAN, MORGAN, PIKE & SCOTT COUNTIES				



PLAN

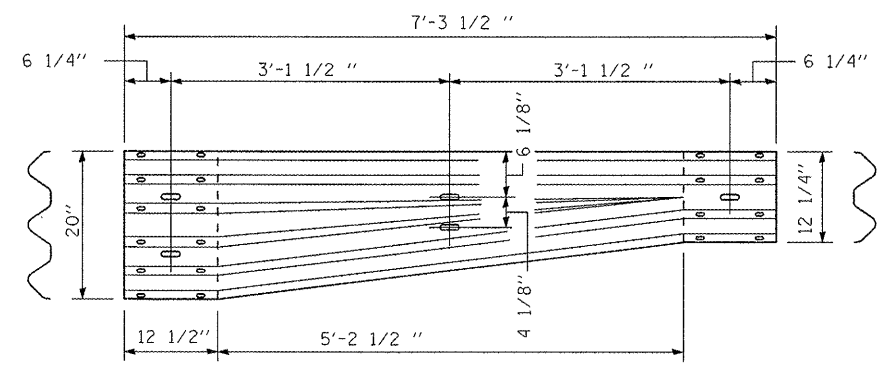


SECTION A-A

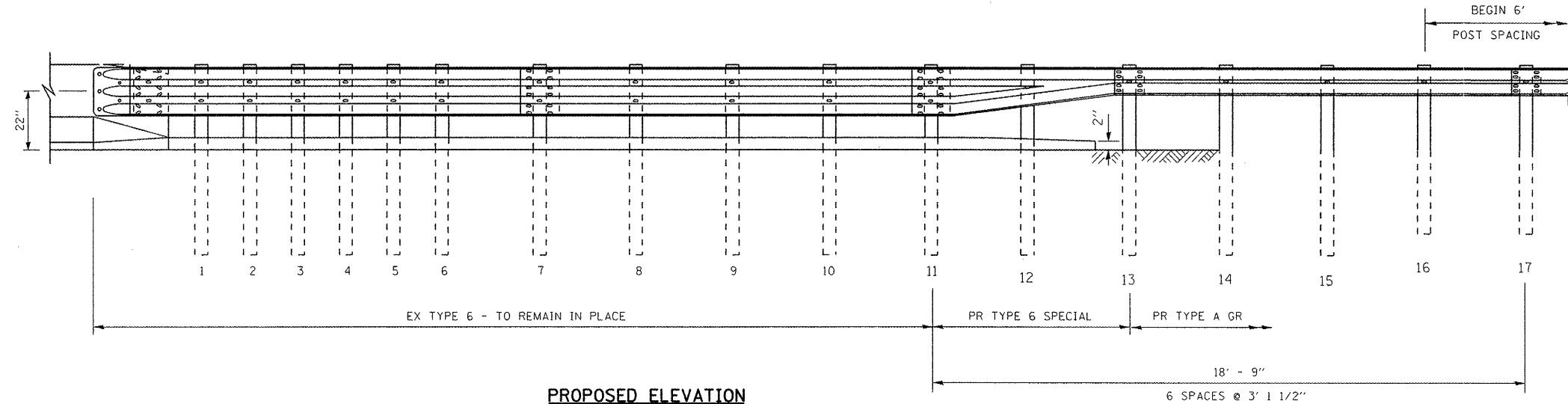


EXISTING ELEVATION

NOTE: POST 5 MISSING AT SOME LOCATIONS OF EXISTING TRAFFIC BARRIER TERMINAL TYPE 6. THIS POST SHALL BE INSTALLED ACCORDING TO STANDARD 631031-06 AND INCLUDED IN THE COST OF TRAFFIC BARRIER TERMINAL TYPE 6, SPECIAL.



PROPOSED TRANSITION SECTION



PROPOSED ELEVATION

NOTE: ADDITIONAL POSTS TO MAINTAIN 3' 1 1/2" SPACING TO BE INCLUDED IN THE COST OF TRAFFIC BARRIER TERMINAL TYPE 6, SPECIAL.

GENERAL NOTES

- SEE STANDARD 630001 AND 631031 FOR DETAILS OF GUARDRAIL NOT SHOWN.
- THRIE BEAM RAIL SHALL BE BOLTED TO BLOCK-OUT AT ALL POSTS.
- POSTS 11 THROUGH 15 SHALL BE 7' 6" IN LENGTH.

SHEET 2 OF 2

REVISIONS	
NAME	DATE

ILLINOIS DEPARTMENT OF TRANSPORTATION
DETAIL "C"
 FAI 72 & FAI 155
 SECTION D6 MEDIAN PROTECTION 2008
 LOGAN, MORGAN, PIKE & SCOTT COUNTIES

PLOT DATE = Nov-14-2008 10:07:34AM
 FILE NAME = C:\Projects\1072093\1072093-sht-details.dgn
 PLOT SCALE = 1/8"=1'-0"
 USER NAME = joughlin1