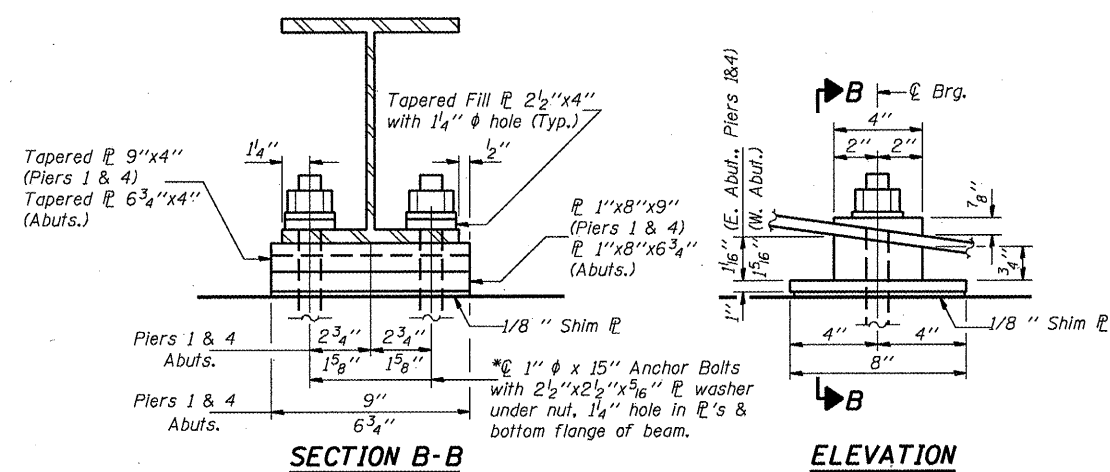
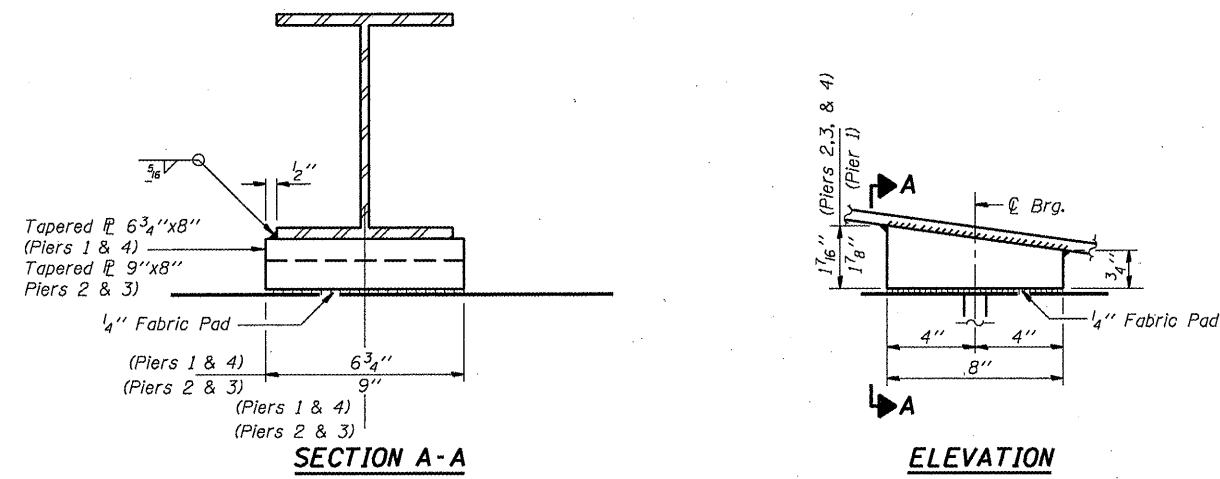


BEARING LAYOUT



FIXED BEARING

Note:
Shim Plates $1/8'' \times 8'' \times 9''$ (piers 1 & 4)
Shim Plates $1/8'' \times 8'' \times 6\frac{3}{4}''$ (abutments)



EXPANSION BEARING

Note:
Steel quantities for bearings are included in the bill of material on p4

BEARING DETAILS
SUGAR CREEK COVERED BRIDGE
D6 COV BR PLANK REM & REPL
SANGAMON COUNTY