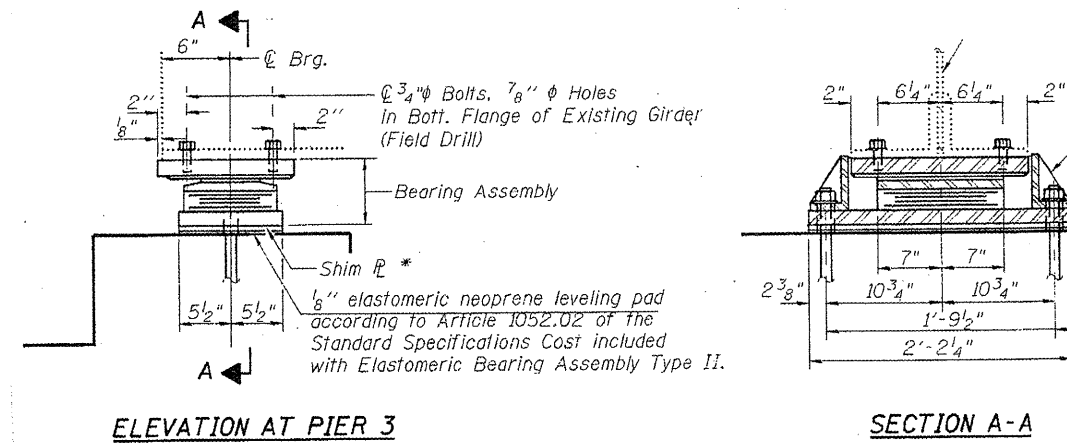
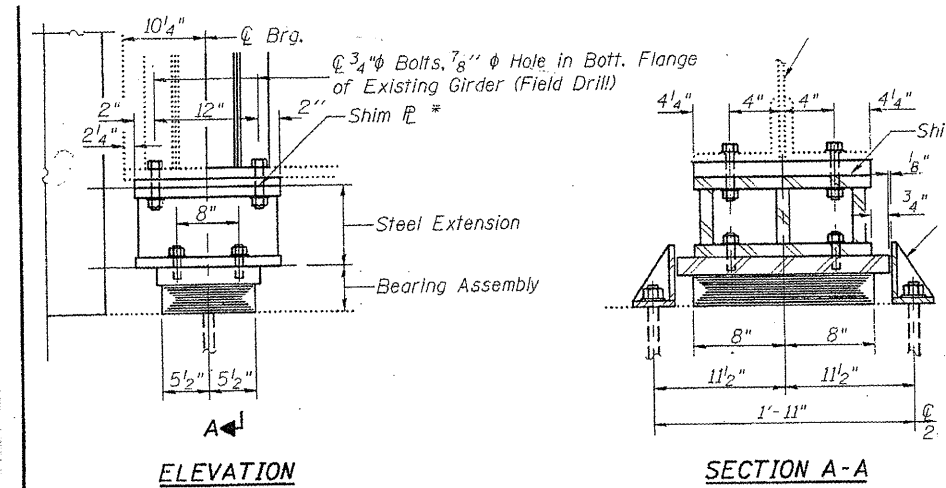


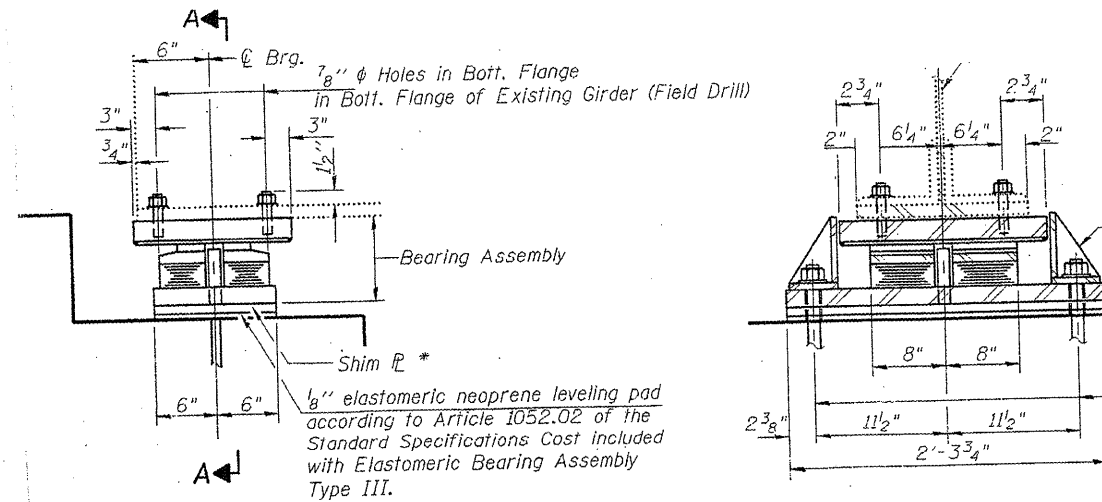
TYPE I ELASTOMERIC EXP. BRG. - EAST ABUT.



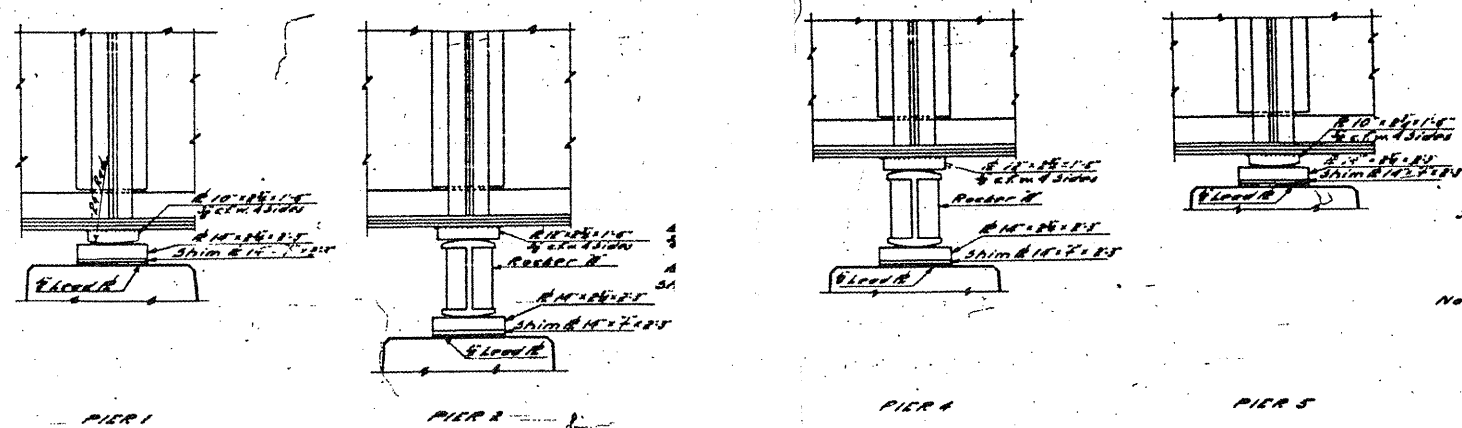
TYPE II ELASTOMERIC EXP. BRG.



TYPE I ELASTOMERIC EXP. BRG. - WEST ABUT.



TYPE III ELASTOMERIC EXP. BRG.



C-06-089-08  
SN 084-0052  
EXISTING BRIDGE PLANS  
FOR INFORMATION ONLY  
(NOT TO SCALE)