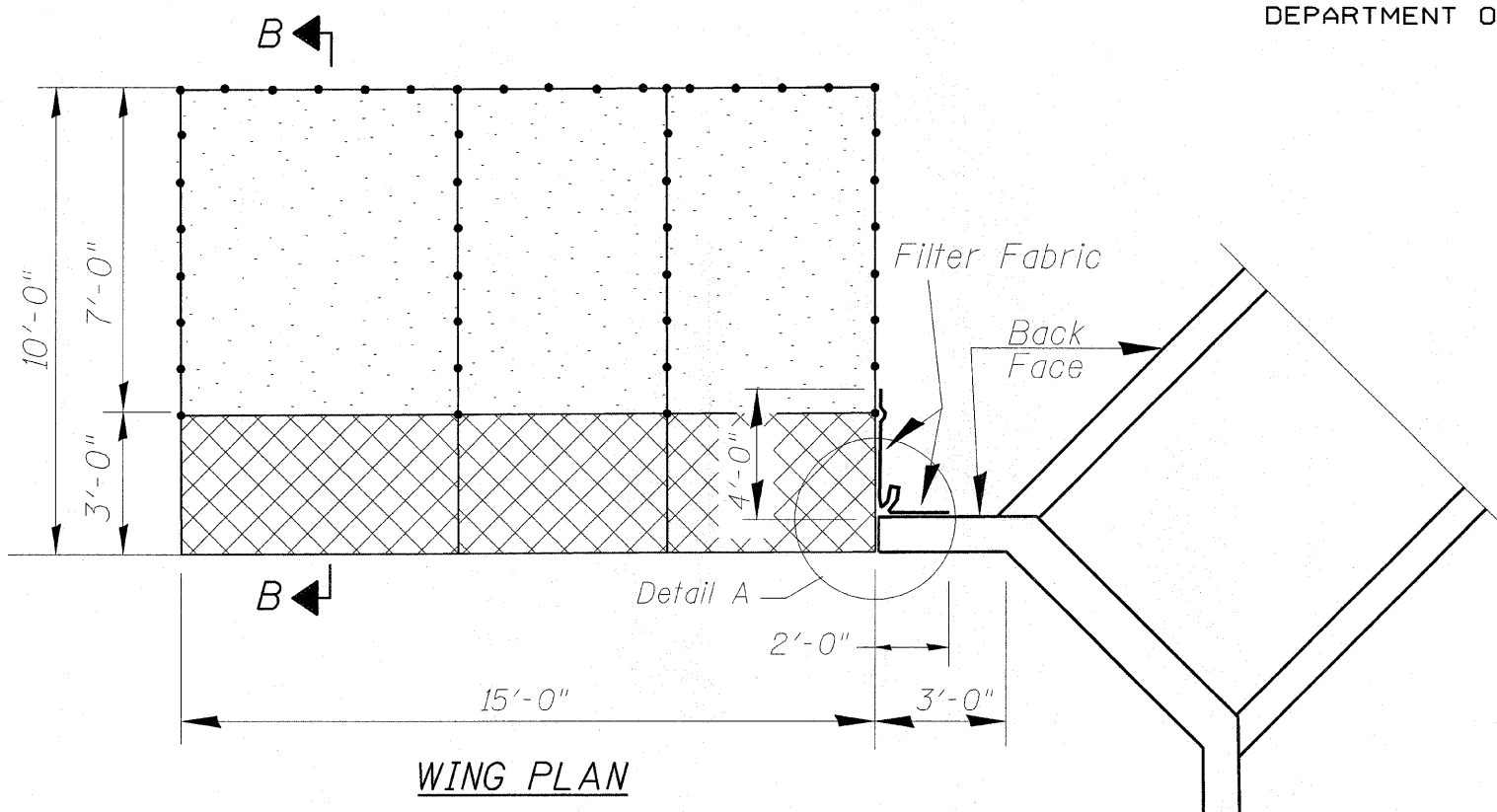
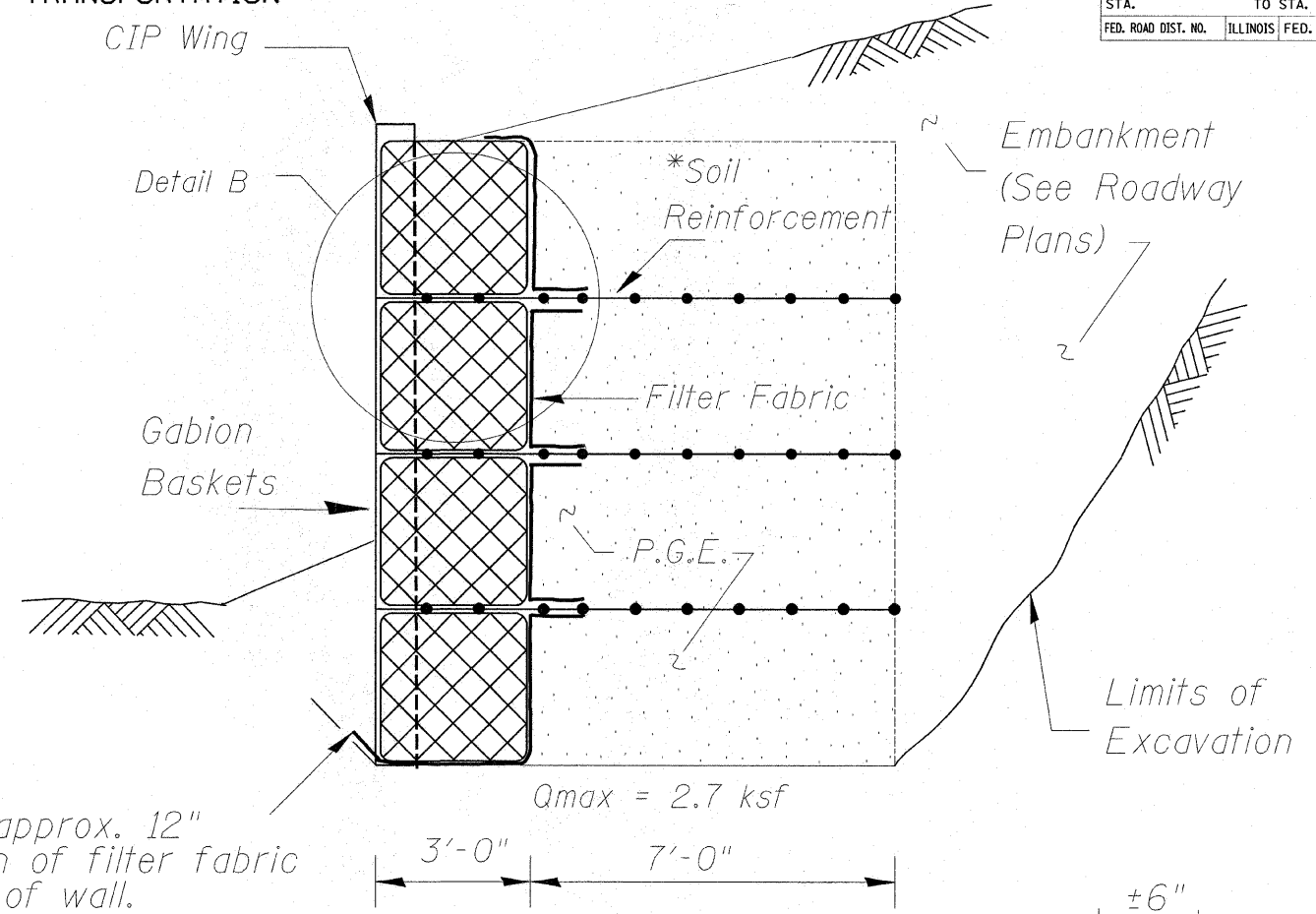


F.A.P. RTE.	SECTION	COUNTY	TOTAL SHEETS	SHEET NO.
821	127.R	WABASH	31	17
STA.	TO STA.			
FED. ROAD DIST. NO.	ILLINOIS FED. AID PROJECT			

STATE OF ILLINOIS  
DEPARTMENT OF TRANSPORTATION

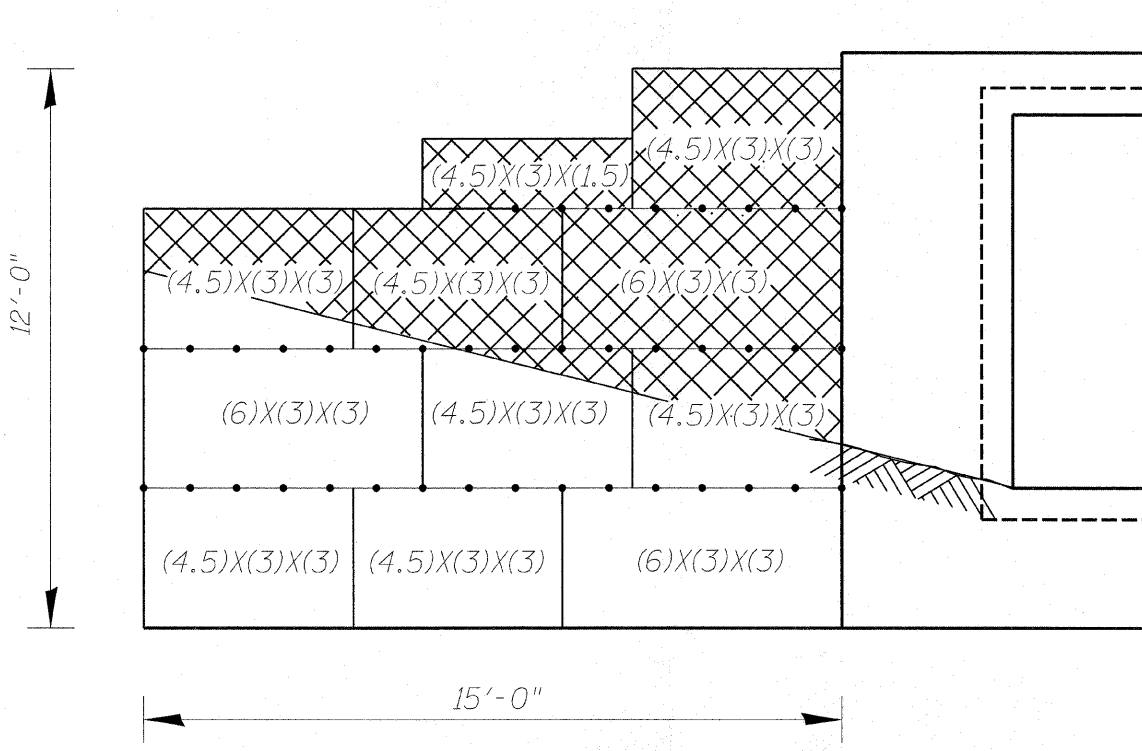


WING PLAN

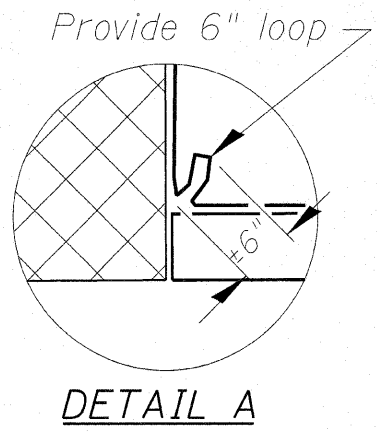


SECTION B-B

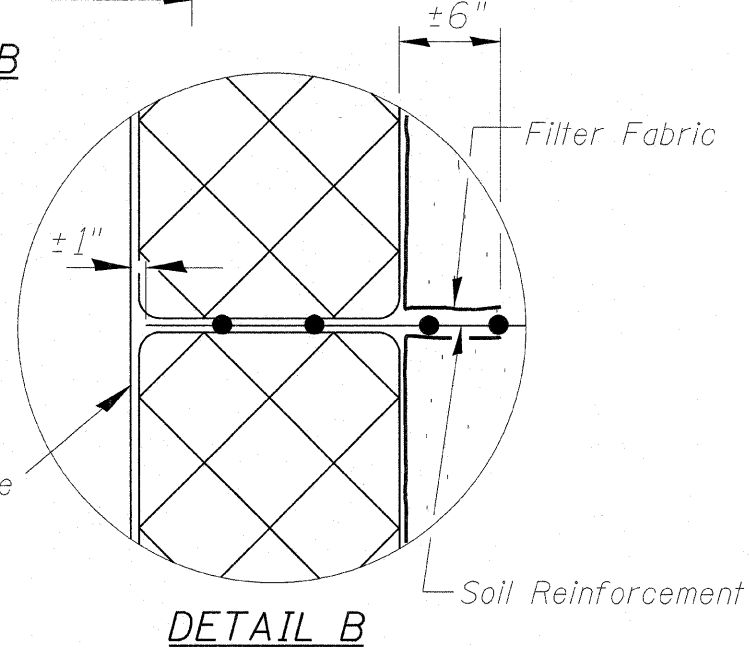
Provide approx. 12" extension of filter fabric in front of wall.



WING ELEVATION



DETAIL A



DETAIL B

NOTES

See Special Provisions

\*The Contractor shall supply Soil Reinforcement (Geogrid or Geotextile) with a Long Term Design Strength (LTDS) greater than 1.6 k/ft. per GRI GG4 or GT7-MD  
Gabion baskets indicated as (6)x(3)x(3) indicate length x width x height dimensions of gabion basket.

REVISIONS	
NAME	DATE

ILLINOIS DEPARTMENT OF TRANSPORTATION

**CULVERT EXTENSION**  
**STA 1012 + 63.50**

SCALE: VERT. \_\_\_\_\_  
          HORIZ. \_\_\_\_\_

DATE \_\_\_\_\_

DRAWN BY \_\_\_\_\_  
CHECKED BY \_\_\_\_\_

PLOT DATE = 3/20/2008  
FILE NAME = c:\p\projects\74028\ad1101\pa.dgn  
SCALE = 50.0000 / 1" = 10'-0"  
USER NAME = tomrsgok