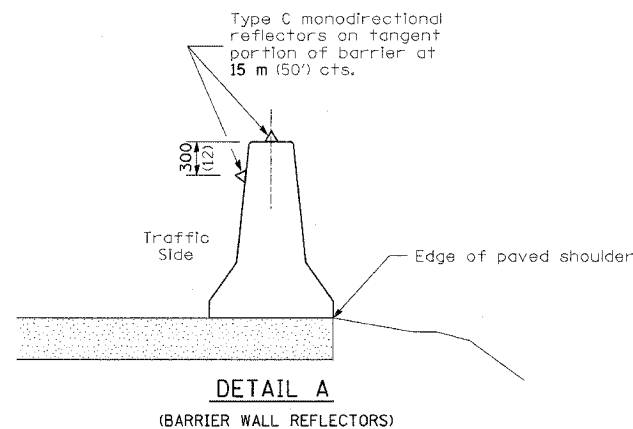


- SYMBOLS**
- Work area
 - Sign
 - Impact attenuator
 - Temporary Concrete Barrier with type C monodirectional reflector
 - Flashing light



GENERAL NOTES

This Standard is used where any vehicles, equipment, workers or their activities will encroach on the shoulder where temporary concrete barrier is utilized.

① When vehicles, equipment, workers or their activities encroach in the area 4.5 m (15') to the edge of pavement.

All dimensions are in millimeters (Inches) unless otherwise shown.

**SHOULDER CLOSURE, MULTILANE,
MEDIAN PIER CONSTRUCTION
WITH BARRIER**

STANDARD 701101 - SPECIAL

FILE NAME =	USER NAME = teasleyck	DESIGNED -	REVISED -	STATE OF ILLINOIS DEPARTMENT OF TRANSPORTATION	STANDARD 701101 - SPECIAL	F.A.I. RTE.	SECTION	COUNTY	TOTAL SHEETS	SHEET NO.	
ca:\projects\74311\shtr\off\control\74311.dgn		DRAWN -	REVISED -			70	*	EFFINGHAM	9	3A	
PLOT SCALE = 20,0000' / IN.		CHECKED -	REVISED -			CONTRACT NO. 74311					
PLOT DATE = 3/27/2008		DATE -	REVISED -			ILLINOIS FED. AID PROJECT					
						SCALE:		SHEET NO. OF SHEETS		STA. TO STA.	