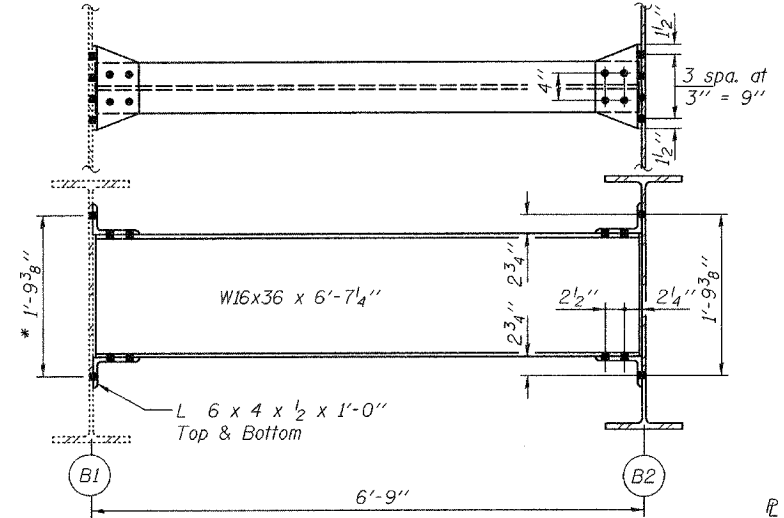


STATE OF ILLINOIS
DEPARTMENT OF TRANSPORTATION

ROUTE NO.	SECTION	COUNTY	TOTAL SHEETS	SHEET NO.
FAI 70		EFFINGHAM	9	5
FED. ROAD DIST. NO. 7	ILLINOIS	FED. AID PROJECT-		

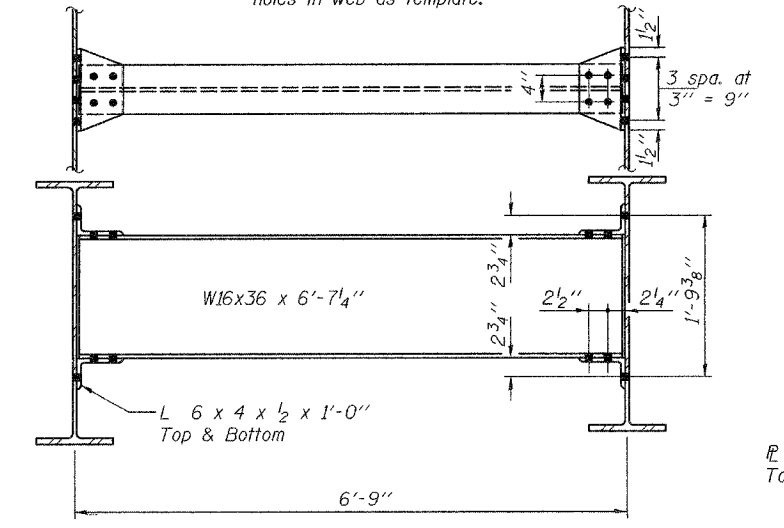
Contract Number: 74311

SHEET NO. 2
6 SHEETS



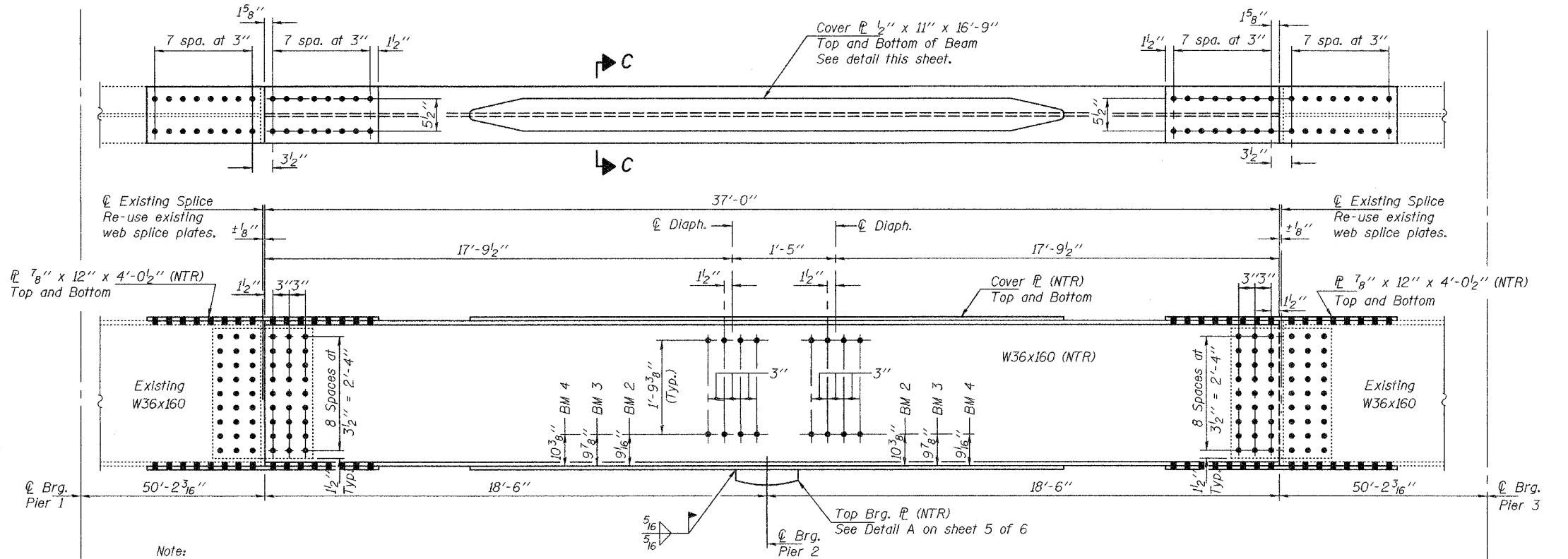
DIAPHRAGM REPLACEMENT DETAIL
Between Beams 1 & 2

* Field drill holes in angles using holes in web as template.



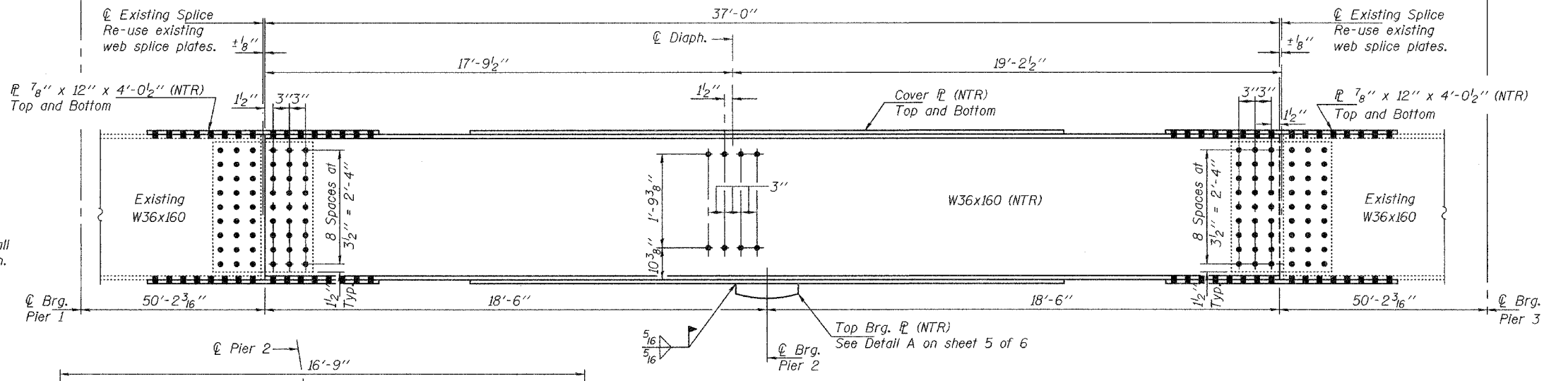
TYPICAL DIAPHRAGM REPLACEMENT DETAIL

Notes:
Natural camber of new beam shall be placed upward for fabrication.

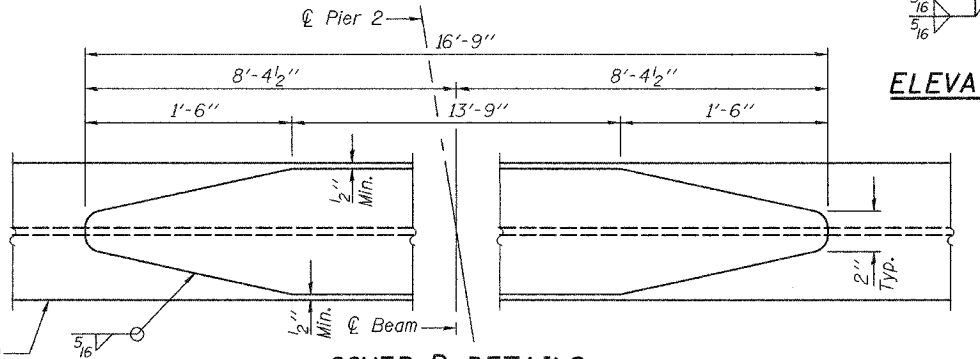


ELEVATION - BEAMS 2 THRU 4 (INTERIOR)

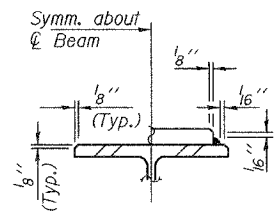
Note:
Use existing holes in splice plates as template for drilling holes in new beam. (Typical)



ELEVATION - BEAM 5 (FASCIA)



COVER PLATE DETAILS
1/2" x 11" x 16'-9" (8 Req'd)



SECTION C-C

DESIGNED	AJB
CHECKED	SJB
DRAWN	Steffen
CHECKED	AJB SJB

APRIL 16, 2008
EXAMINED *Carl Perry*
ENGINEER OF STRUCTURAL SERVICES
PASSED *Ralph E. Anderson*
ENGINEER OF BRIDGES AND STRUCTURES

REPAIR DETAILS
TR 258 OVER FAI 70
EFFINGHAM COUNTY
SN 025-0062